

# SUREVIEW VISION PANEL TECHNICAL DATA SHEET

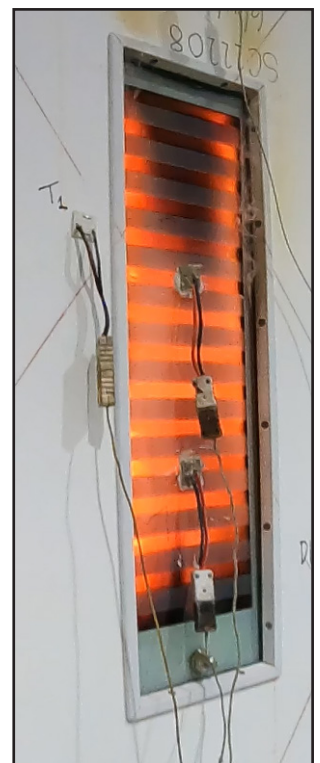
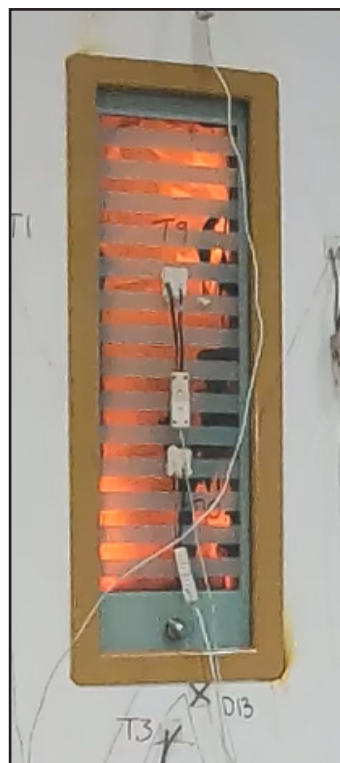
TDS010 REV 3



## Sureview vision panel key features

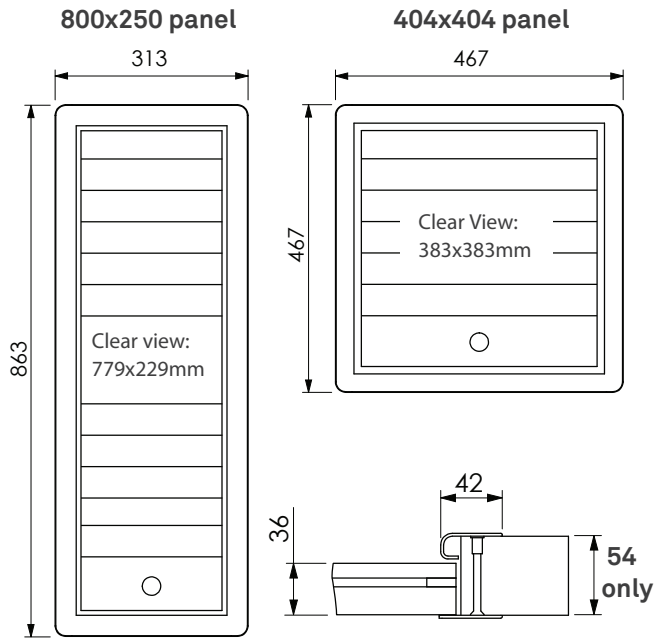
- 27mm and 36mm thick designs.
- 27mm panels can be fitted to 44mm non fire rated doors.
- 30 minute fire performance for all panels. Note: All fire rated applications must use a specific 54mm door core - See page 3
- 10mm or 19mm toughened glass for robustness.
- Steel or timber beading designs.
- Anti-ligature turn hardware.
- Soft close as standard.
- Auto close or stay open functions.
- Ability to be factory fitted and transported flat.
- Dry application intumescent, no wet mastics required.

Note: For retro fit applications, the specifier must consider the performance requirements and ensure the panels are compliant for the intended application.



# SUREVIEW VISION PANEL OPTIONS

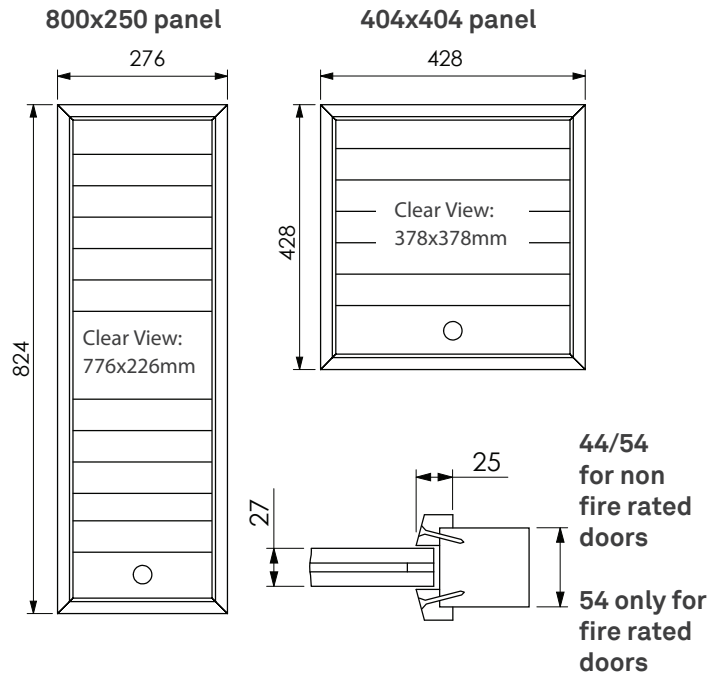
## Sureview 36mm Panel with Steel Beading



**(M)** Suitable for a low and medium secure environments

## Sureview 27mm Panel with Timber Beading\*

\*Timber Bead not supplied by Safehinge Primera



**(L)** Suitable for a low secure environments

### Steel bead colour: RAL7047

(Other colours are available with an MOQ of 50 units)







Colour when viewed on screen or printed may vary from the true physical product hence this is for representation only

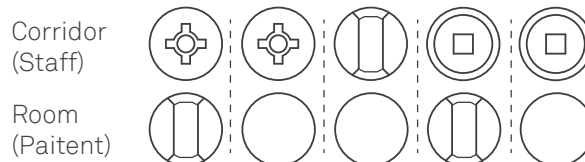
### Fire Rating - 54mm doors only (See page 3)

**FD 30** All Sureview vision panels are fire rated up to 30 minutes

### Vision Panel Actuators

-  Lifeline Keyway (LK)
-  Anti-ligature Turn (ALT)
-  Square Drive (SQ)  
(Note: Duralux - 8mm)
-  No Actuator

### Actuator Options



### Closing Type



# FIRE PERFORMANCE

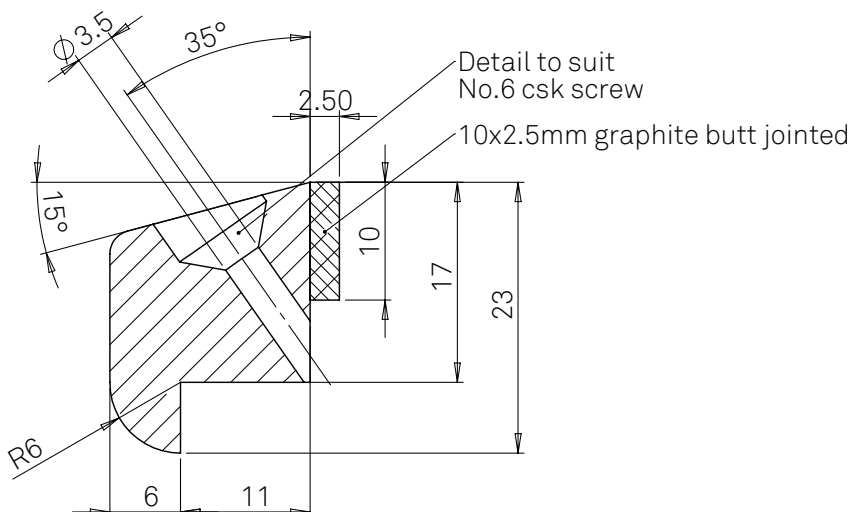
Note: We have fire tested Sureview in both directions so there is no ambiguity on the fire risk side.

If the Sureview vision panel is going to be used in a fire resisting application, the following constraints must be applied.

1. The doorset design **MUST** use the Safehinge Primera Alumax ALU60 or Symphony system. The doorset must abide by all the requirements laid out in the Safehinge Primera global fire assessment Chilt/A1 2005.
2. The door **MUST be 54mm thick** and be manufactured from one of the following cores/blanks.

|                               | All Sureview panels |
|-------------------------------|---------------------|
|                               | <b>FD30</b>         |
| Halspan XT 60                 | Yes                 |
| Halspan IT 60                 | Yes                 |
| Moralt Laminasse Firesmoke 54 | Yes                 |
| Blankfort 60                  | Yes                 |
| Blankfort 60+                 | Yes                 |

3. Glazed openings must not be less than 100mm from any door edge.
4. All 36mm Sureview panels are supplied with an intumescent pack which must be fitted.
5. All 27mm Sureview panels are supplied without timber beading. It is the responsibility of the door manufacture to supply the 10mm wide x 2.5mm thick graphite intumescent between the bead and glass on both sides. The cross section below represents what we have fire tested.



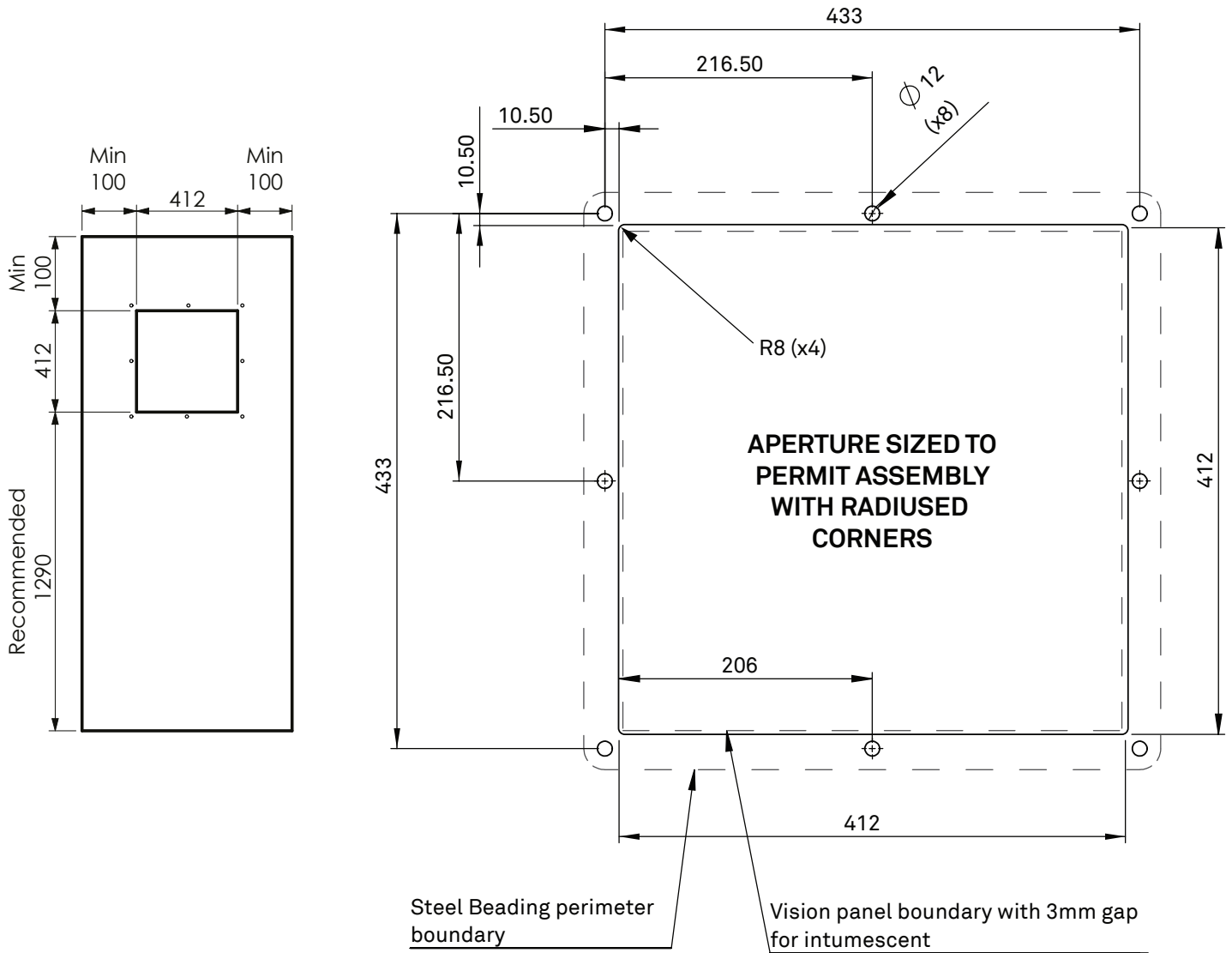
Fixing holes 50mm from corners  
All cassettes require 16 fixing holes

For 404x404 vision panel, 4 fixings per bead edge (equal pitch)  
Cut out = 410x410 with 8mm internal radii

For 800x250 vision panel, 6 fixings per long edge (equal pitch)  
2 fixings per short edge (equal pitch)  
Cut out = 806x256 with 8mm internal radii

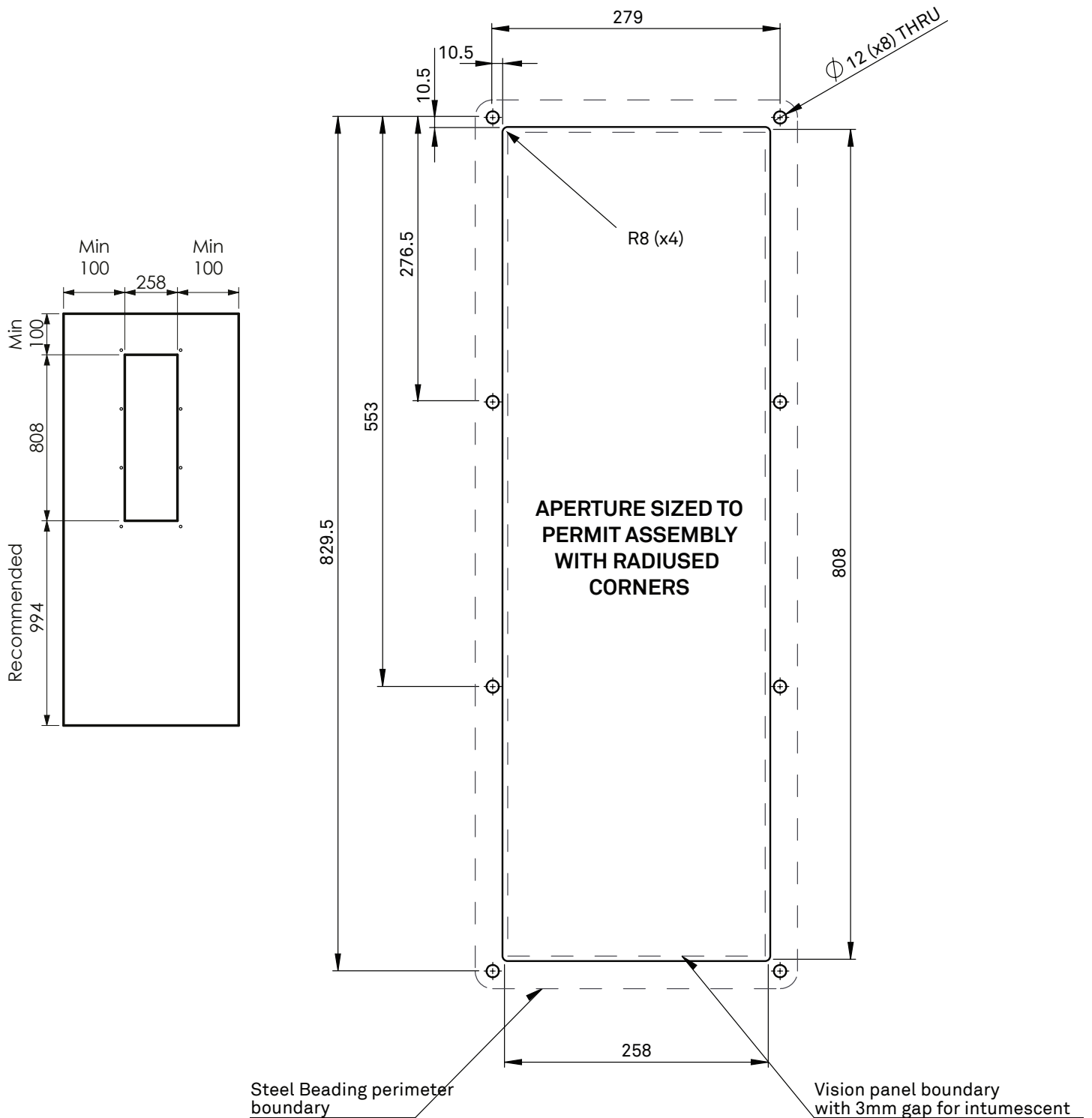
# DOOR LEAF MACHINING DETAILS

36mm Square Sureview panels



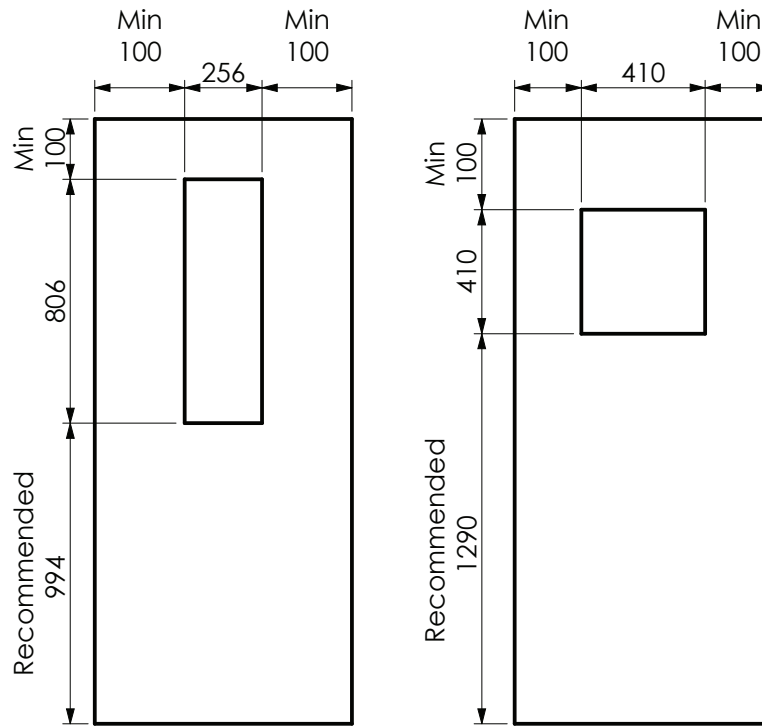
# DOOR LEAF MACHINING DETAILS

36mm Rectangular Sureview panels

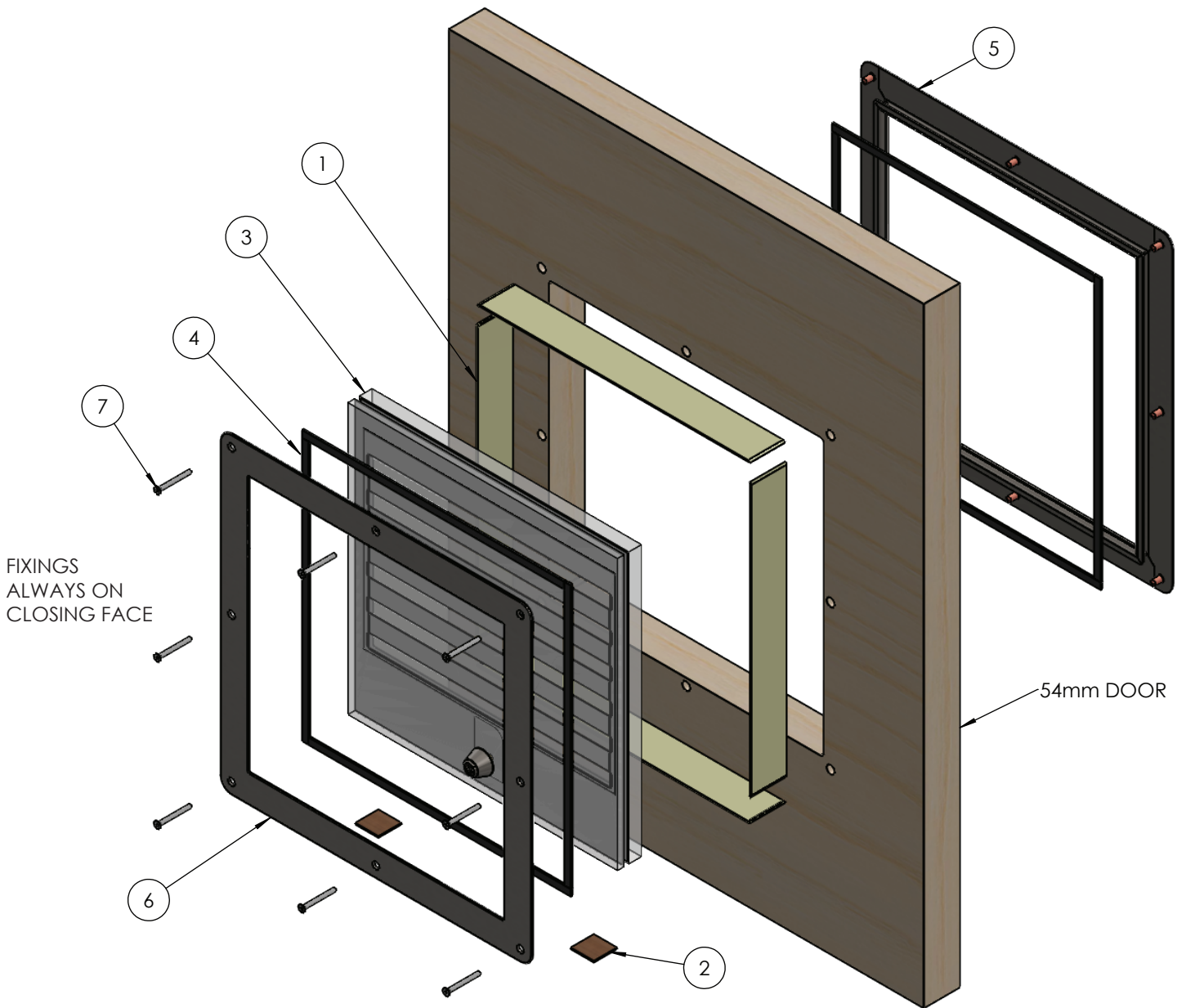


# DOOR LEAF MACHINING DETAILS

27mm Sureview panels

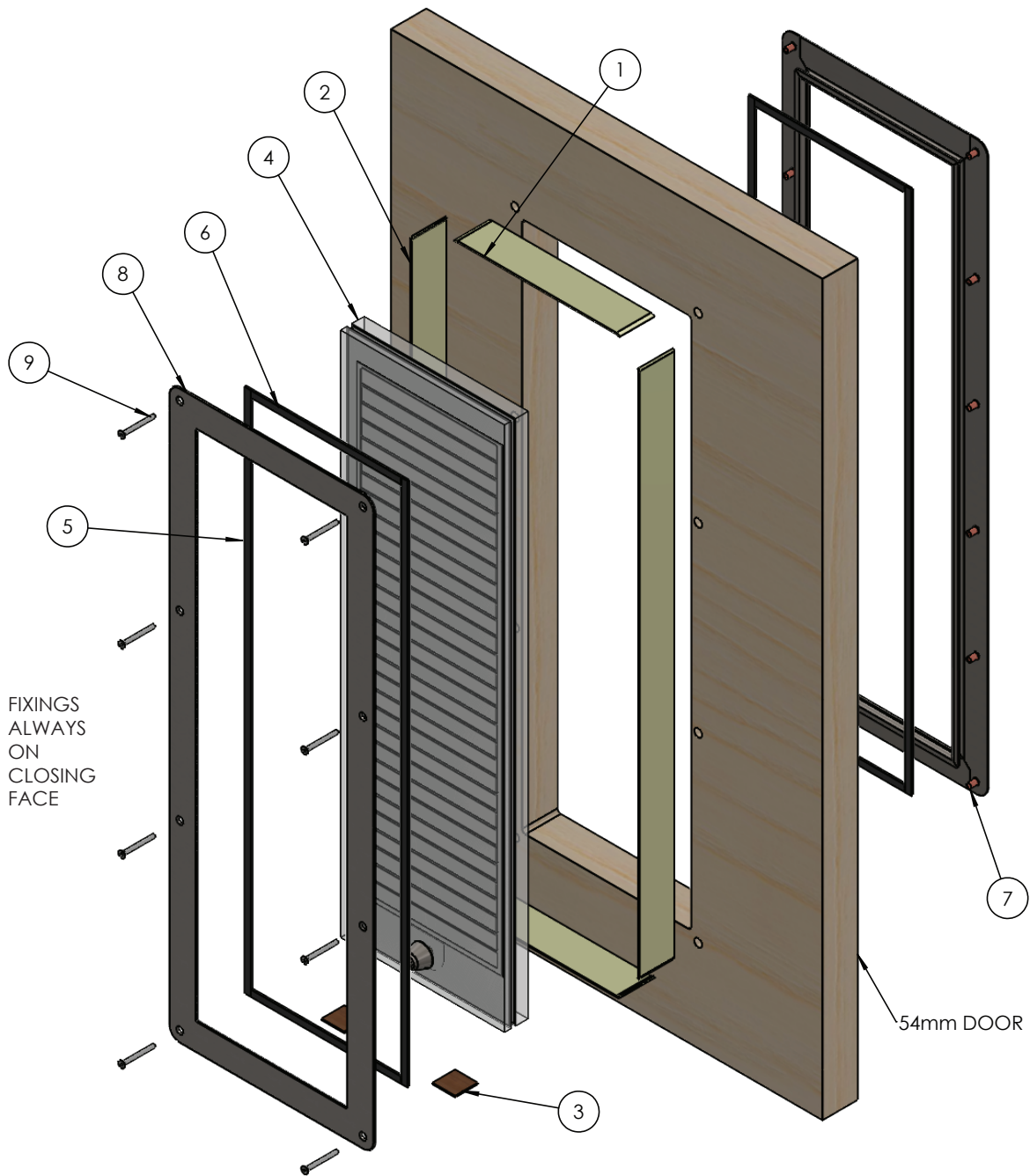


# SUREVIEW 404X404X36MM GENERAL ARRANGEMENT



| ITEM NO. | PART NUMBER                      | DESCRIPTION                            | QTY. |
|----------|----------------------------------|--|------|
| 1        | SHC37-102                        | 408x54x2 THERMO-O-SOL, self adhesive   | 4    |
| 2        | 2mm setting block                | Supplied by door manufacturer          | 2    |
| 3        | Sureview 404x404x36 vision panel |  | 1    |
| 4        | SHC37-103                        | 393x10x2.5 graphite, self adhesive     | 8    |
| 5        | SHC66-798                        | VP 404x404 15mm beading assembly       | 1    |
| 6        | SHC66-589                        | VP 404x404 - Beading Fascia Plate      | 1    |
| 7        | SHC12-566                        | M5x50mm CSK s/s Pin Torx w/thread lock | 8    |

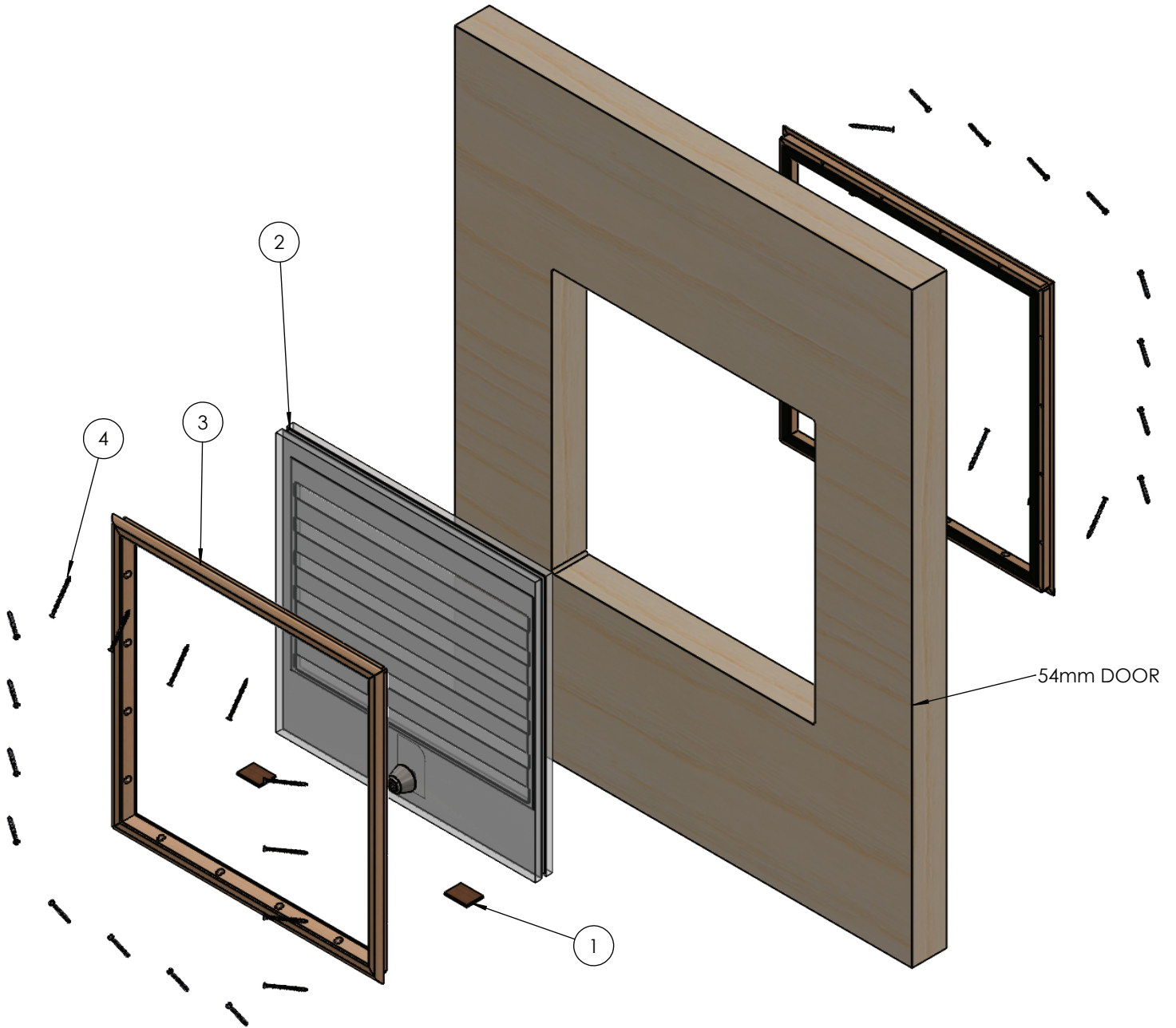
# SUREVIEW 800X250X36MM GENERAL ARRANGEMENT



| ITEM NO. | PART NUMBER                      | DESCRIPTION                              | QTY. |
|----------|----------------------------------|--|------|
| 1        | SHC37-105                        | 254x54x2 THERMO-O-SOL, self adhesive     | 2    |
| 2        | SHC37-104                        | 804x54x2 THERMO-O-SOL, self adhesive     | 2    |
| 3        | 2mm setting block                | supplied by door manufacturer            | 2    |
| 4        | Sureview 800x250x36 vision panel |  | 1    |
| 5        | SHC37-106                        | 800x10x2.5 graphite, self adhesive       | 4    |
| 6        | SHC37-107                        | 230x10x2.5 graphite, self adhesive       | 4    |
| 7        | SHC66-801                        | VP 800x250 15mm beading assembly         | 1    |
| 8        | SHC66-614                        | VP 800x250 - Beading Fascia plate        | 1    |
| 9        | SHC12-566                        | M5 x 50mm CSK s/s pin torx w/thread lock | 8    |

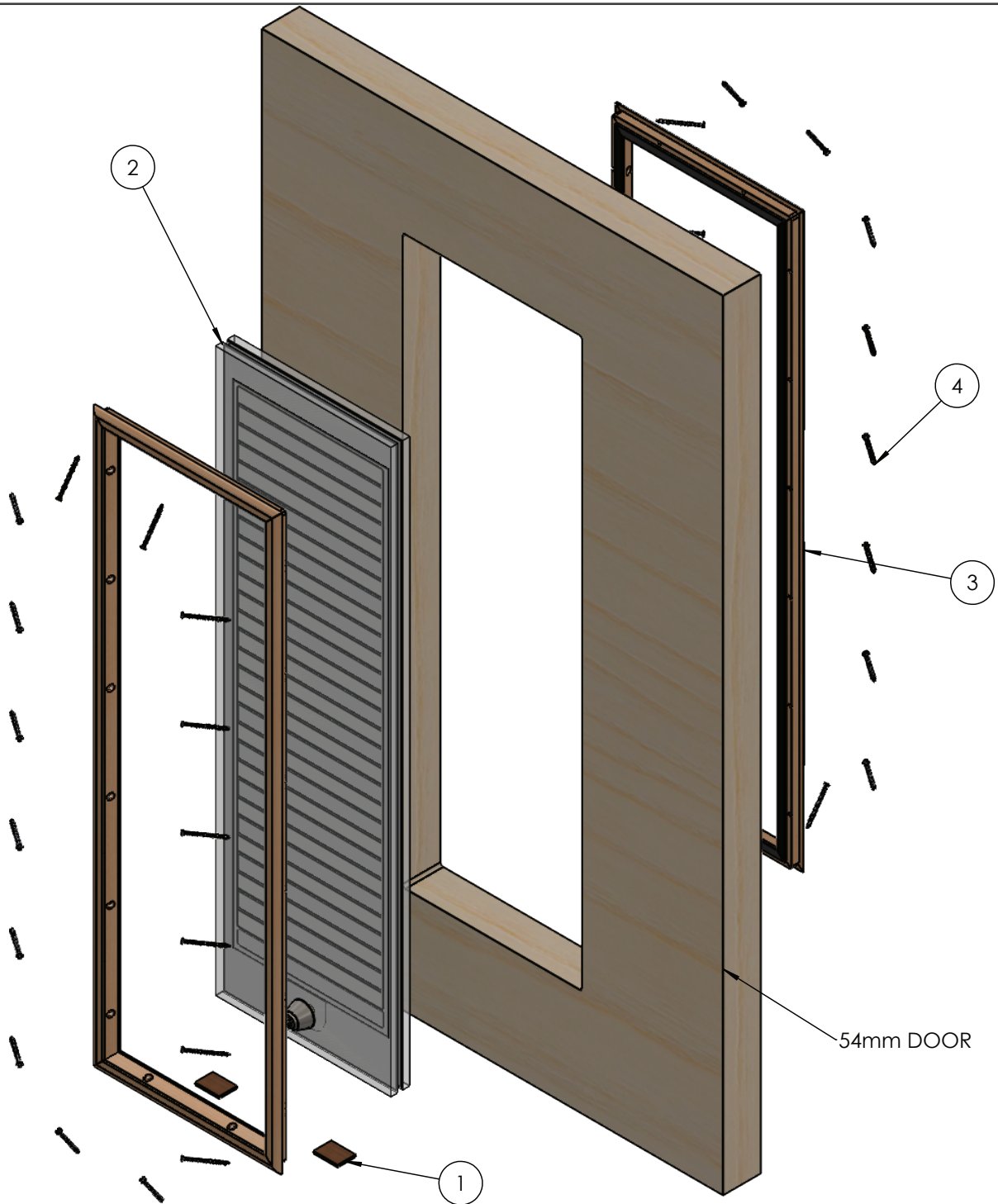


# SUREVIEW 404X404X27MM GENERAL ARRANGEMENT



| ITEM NO. |   |                               | QTY. |
|----------|---|-------------------------------|------|
| 1        | 3mm setting block                       | Supplied by door manufacturer | 2    |
| 2        | Sureview 404x404x27 vision panel        | Supplied by SHP               | 1    |
| 3        | 404x404 timber bead assembly            | Supplied by door manufacturer | 2    |
| 4        | No.6 x 2" pin torx s/s C/sk self tapper | Supplied by door manufacturer | 32   |

# SUREVIEW 800X250X27MM GENERAL ARRANGEMENT



| ITEM NO. |   |                               | QTY. |
|----------|---|-------------------------------|------|
| 1        | 3mm setting block                       | Supplied by door manufacturer | 2    |
| 2        | Sureview 800x250x27 vision panel        | Supplied by SHP               | 1    |
| 3        | 800x250 timber bead assembly            | Supplied by door manufacturer | 2    |
| 4        | No.6 x 2" pin torx s/s C/sk self tapper | Supplied by door manufacturer | 32   |

**t** 0330 058 0988

**e** [info@safehingeprimera.com](mailto:info@safehingeprimera.com)

**w** [www.safehingeprimera.com](http://www.safehingeprimera.com)

**Blackpool Office**

Unit 8 Bankfield House

250 Bristol Avenue

Blackpool

FY2 0JF

**Glasgow office**

44 Speirs Wharf

Glasgow

G4 9TH