

BATHROOM DOOR PRODUCT OPTIONS

BATHROOM LEAF DESIGN OPTIONS

SAFEHINGE PRIMERA X HOSPITAL ROOMS

SAFEHINGE[®]
PRIMERA

X



Geometric Rainbow

Narrow - ENL60-820
Medium - ENL61-819
Wide - ENL62-818
Extra Wide - ENL63-906

<11lbs Release



Flags and Flares

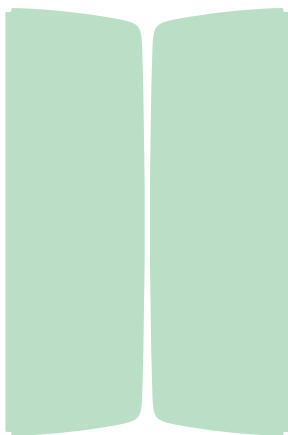
Narrow - ENL60-823
Medium - ENL61-822
Wide - ENL62-821
Extra Wide - ENL63-907

<20lbs Release

Narrow - ENL50-820
Medium - ENL51-819
Wide - ENL52-818
Extra Wide - ENL53-906

Narrow - ENL50-823
Medium - ENL51-822
Wide - ENL52-821
Extra Wide - ENL53-907

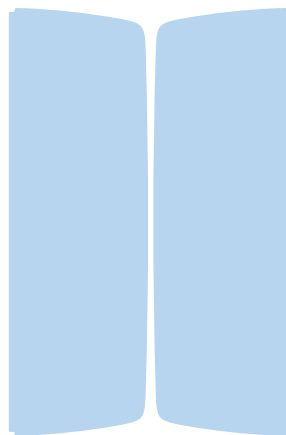
COLORS



Green

Narrow - ENL60-817
Medium - ENL61-816
Wide - ENL62-815
Extra Wide - ENL63-902

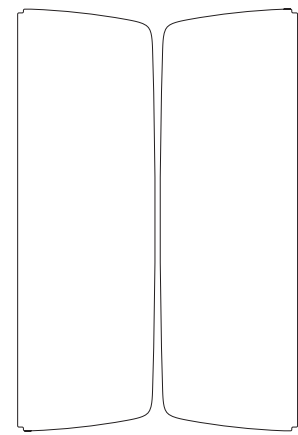
<11lbs Release



Blue

Narrow - ENL60-805
Medium - ENL61-804
Wide - ENL62-803
Extra Wide - ENL63-901

<20lbs Release



White

Narrow - ENL60-802
Medium - ENL61-801
Wide - ENL62-800
Extra Wide - ENL63-900

Narrow - ENL50-817
Medium - ENL51-816
Wide - ENL52-815
Extra Wide - ENL53-902

Narrow - ENL50-805
Medium - ENL51-804
Wide - ENL52-803
Extra Wide - ENL53-901

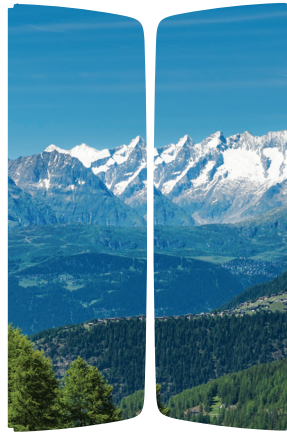
Narrow - ENL50-802
Medium - ENL51-801
Wide - ENL52-800
Extra Wide - ENL53-900

SCENES



Beach Scene

- Narrow - ENL60-811
- Medium - ENL61-810
- Wide - ENL62-809
- Extra Wide - ENL63-904



Mountain Scene

- Narrow - ENL60-814
- Medium - ENL61-813
- Wide - ENL62-812
- Extra Wide - ENL63-905



Meadow Scene

- Narrow - ENL60-808
- Medium - ENL61-807
- Wide - ENL62-806
- Extra Wide - ENL63-903

<11lbs Release

<20lbs Release

- Narrow - ENL50-811
- Medium - ENL51-810
- Wide - ENL52-809
- Extra Wide - ENL53-904

- Narrow - ENL50-814
- Medium - ENL51-813
- Wide - ENL52-812
- Extra Wide - ENL53-905

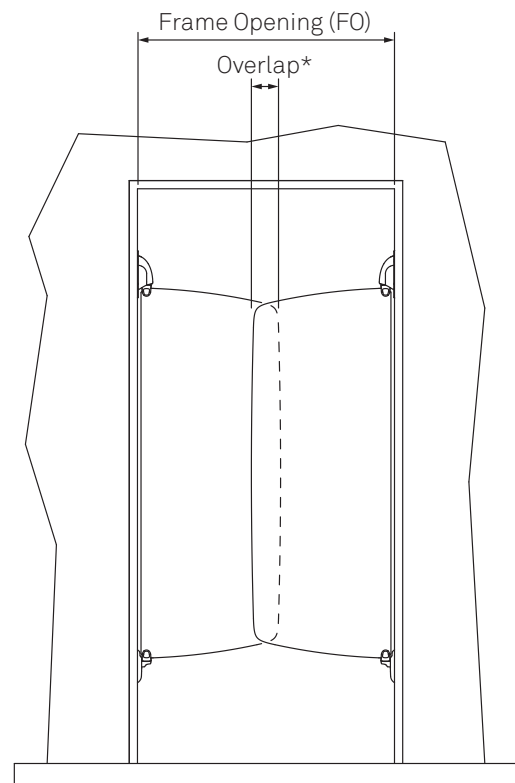
- Narrow - ENL50-808
- Medium - ENL51-807
- Wide - ENL52-806
- Extra Wide - ENL53-903

SELECT LEAF SIZE

Leaf Size	Min FO	Max FO
Narrow	23 5/8" (600mm)	29 1/8" (740mm)
Medium	29 3/16" (741mm)	34 1/4" (870mm)
Wide	34 5/16" (871mm)	39 3/8" (1000mm)
Extra Wide	39 7/16" (1001mm)	44" (1118mm)

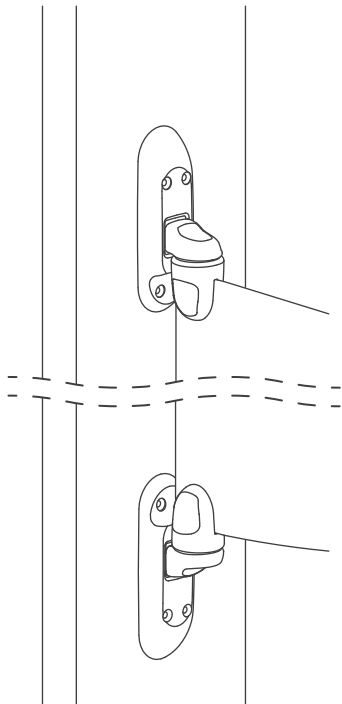
* The leaf overlap will range from 13/16" (20mm) at 'Max FO' to 5 7/8" (150mm) at 'Min FO'.

We do not recommend an overlap outside of this range.



BATHROOM PIVOT SET OPTIONS

<11LBS RELEASE

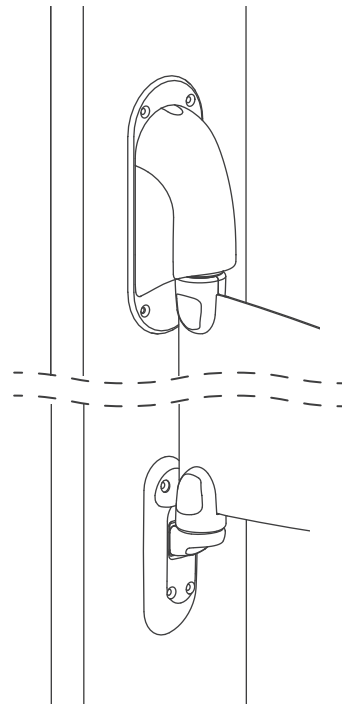


Wall Mount Set

ENP15-300

Contents: 4x Wall Mounts. All fixings included.

<20LBS RELEASE

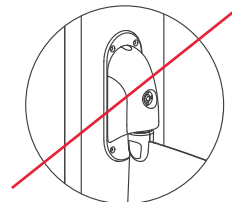


Unrestricted (UR) Pivot Set

ENP15-200

Contents: 2x UR Pivots, 2x Wall Mounts. All fixings included.

~~Staff Only Reset
version ENP10-200~~



STEEL FRAME PACKERS KITS

A Steel Frame Packer Kit may be required to fit the Pivot and Wall Mount to specific profiles of steel frame. See Technical Data Sheet TDS008 for further details.

ENP35-300

Contents: 4x Steel Frame Packers for ENP15-300



ENP35-200

Contents: 4x Steel Frame Packers for ENP15-200

