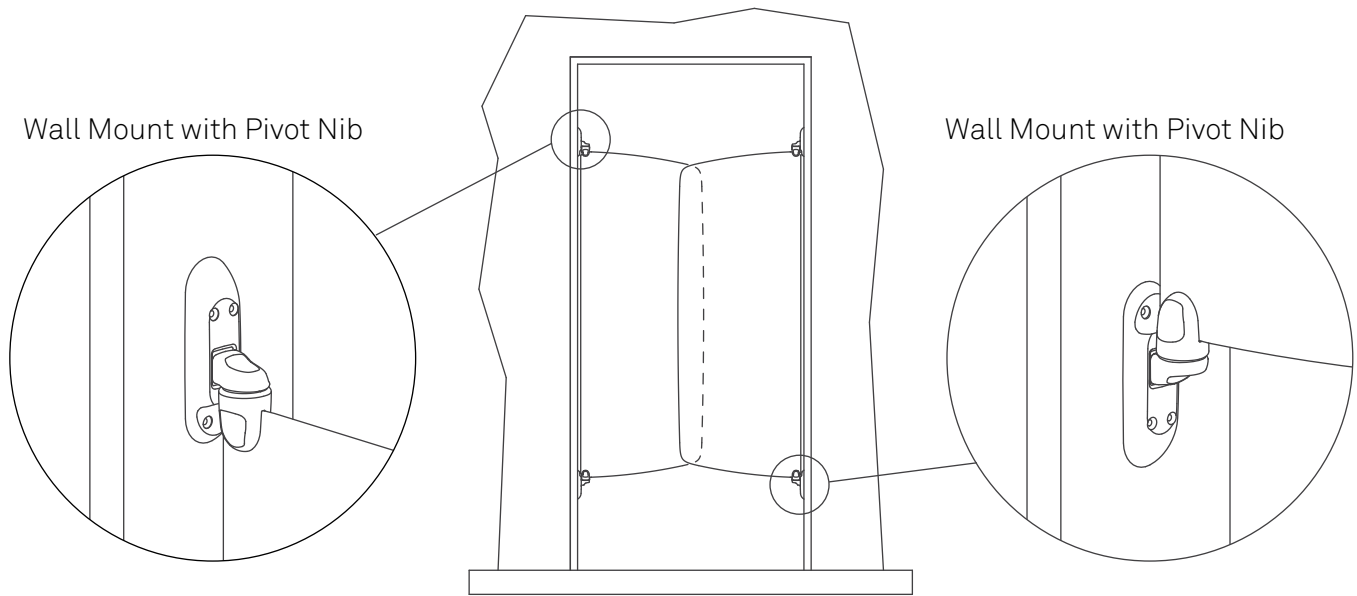


EN-SUITE DOOR (3KG RELEASE) INSTALLATION INSTRUCTIONS (UK)

**SAFEHINGE[®]
PRIMERA**

Load-release door designed for mental health environments

Document No: SII034
Document Revision: 1



PARTS



4X Wall Mount

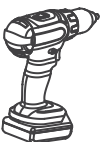


16X No.6 x 32mm
Csk, 6-Lobe Pin TX15



2X Door Leaf
Supplied separately

TOOLS REQUIRED



Cordless Drill



6-Lobe Pin TX15
Driver bit



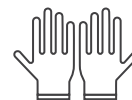
2mm Drill Bit



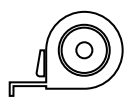
Level (225mm
and 1800mm
recommended)



Pencil (deep
hole marker
recommended)



Safety Gloves



Tape Measure



**Warning Strong
Magnets**

Safety Notice: Do not handle this product unless you have comprehensively read our health and safety information.

Wear safety gloves when handling the Wall Mounts. They contain strong magnets which could cause injury.

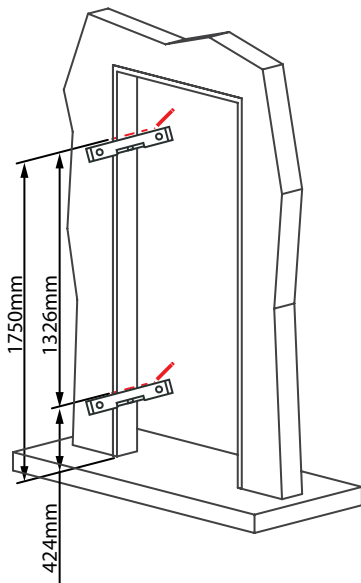
DOOR OPENING PREPARATION

Make sure both frame jambs are flat. Remove any stops or pack out where rebated stops have been used. The Wall Mount requires a flat surface to mount to.

1.0 Install the Wall Mount

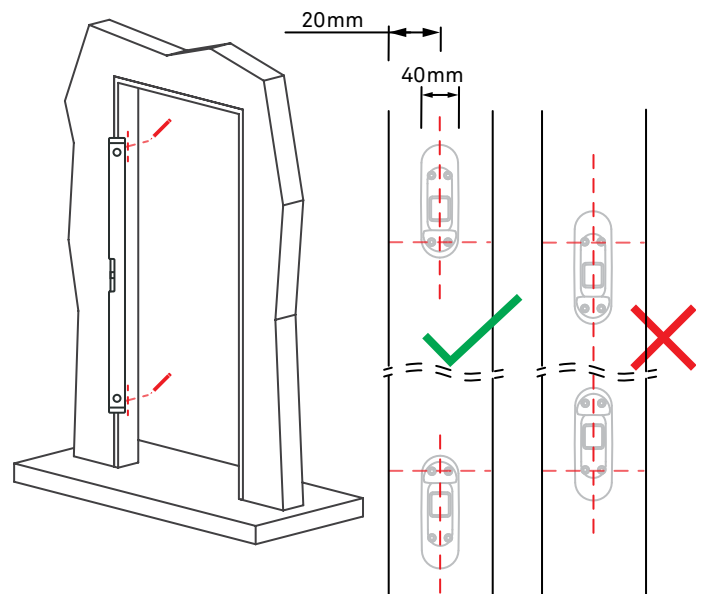
1.1

Using a level, mark horizontal lines at 1750mm and 424mm up from the floor on the face of the frame jamb. It is critical to ensure the spacing between the fixing points is 1326mm \pm 1mm to ensure the leaves fit.



1.2

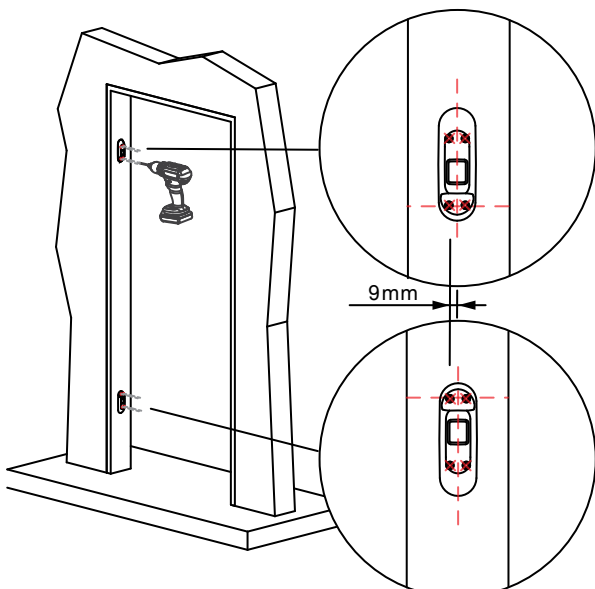
Use a level to mark centre lines at the vertical intersection of the horizontal lines, ensuring the centre lines are a minimum of 20mm from the edge of the opening.



1.3

Centre the product over the lines marked in the previous steps and drill pilot holes using a 2mm drill bit.

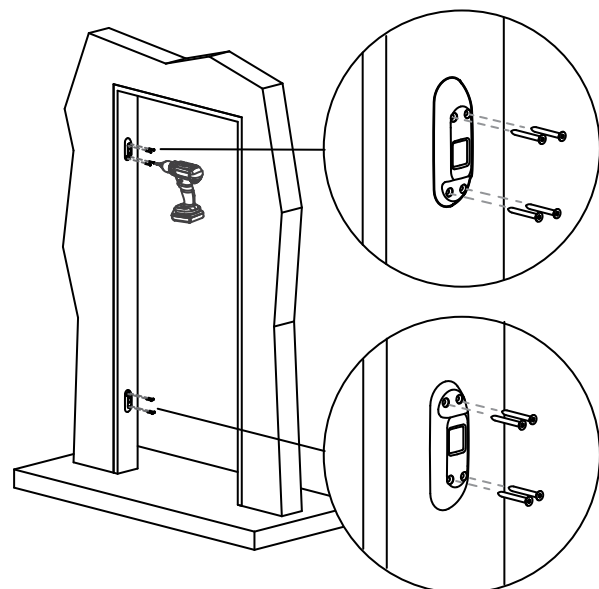
It is critical that the Wall Mounts are vertically centred to ensure that the product functions correctly.



1.4

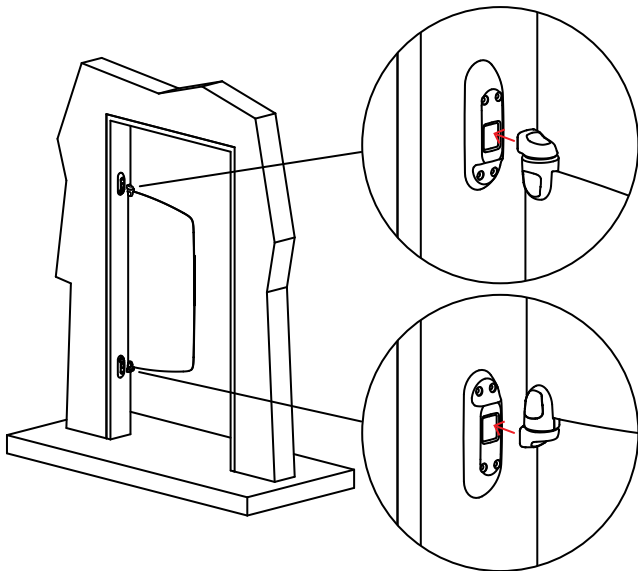
Secure the Wall Mounts in place using the supplied fixings. Do not use an impact driver on fixings.

Ensure the perimeter of the product is flush to the wall. Any gaps could present a suicide risk.



2.0 Hang the Door Leaf

2.1 Wall Mount



To hang the door, offer up a Door Leaf to the top and bottom Wall Mounts. It will automatically connect.

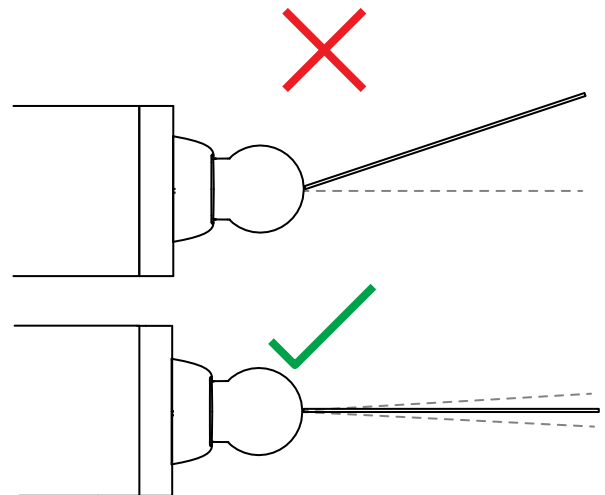
3.0 Final Checks

3.1

Ensure Wall Mounts are flush to the door frame. Any gaps could present a suicide risk.

3.2

Check the operation of the Pivots by opening each door to 90 degrees. The doors should return smoothly back to within 5 degrees of the centre position.



Troubleshooting

Problem	Check
Door Leaf does not return to centre	Check Pivot spacing. The distance between top and bottom Pivot fixing holes should be 1326mm ±1mm.