



## CONTENTS

Product Overview.....	2
Integration Overview .....	3
Credentials.....	3
Example Integration - Paxton Net2.....	4
Example Integration - Assa Abloy Incedo.....	5
Example Integration - Dormakaba Exos 9300.....	6

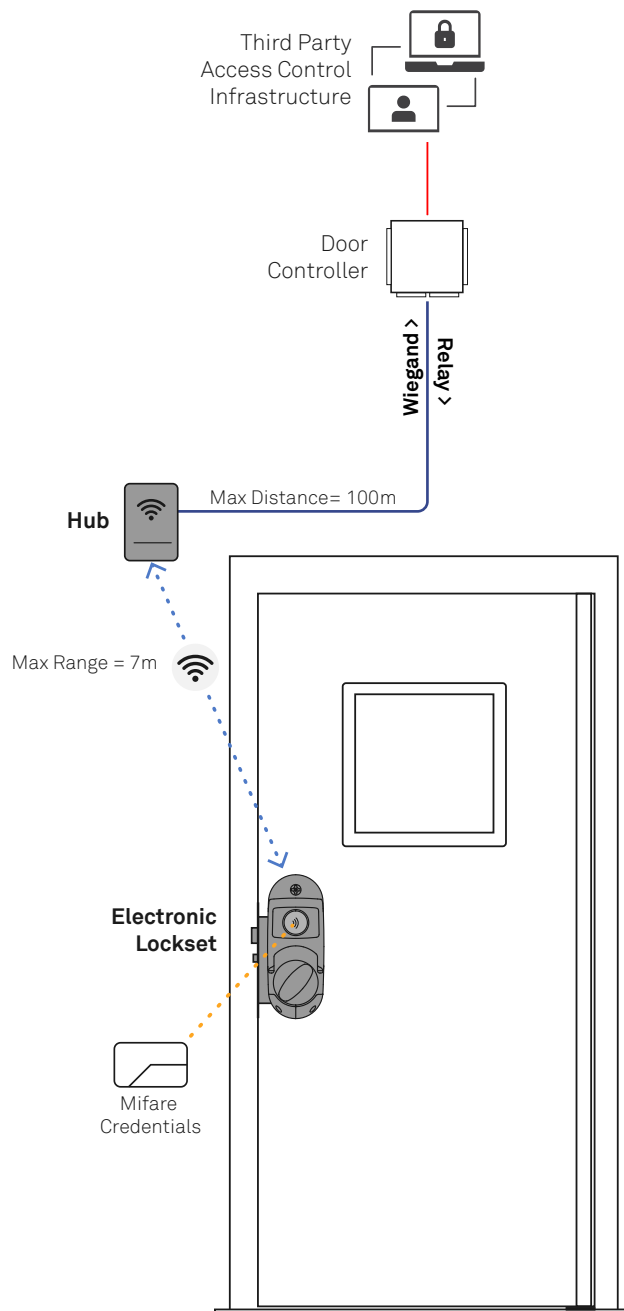
**PRODUCT OVERVIEW**

The Safehinge Primera Electronic Lockset is an electronic locking solution for mental health environments with a integrated mechanical override.

A typical hardwired access control solution would include a wall reader and electronic lock wired into a door controller - the Safehinge Primera Electronic Lockset combines both the reader and the lock which wirelessly communicate to a Hub. The Hub is hardwired into the Door controller using the Wiegand protocol.

Safehinge Primera does NOT provide door controllers or an access control system, and is not responsible for the integration with access control systems. This document provides a suggestion of how the product could be integrated with various access control systems but it is up to the installer to validate before installation.

**System Diagram**



## INTEGRATION OVERVIEW

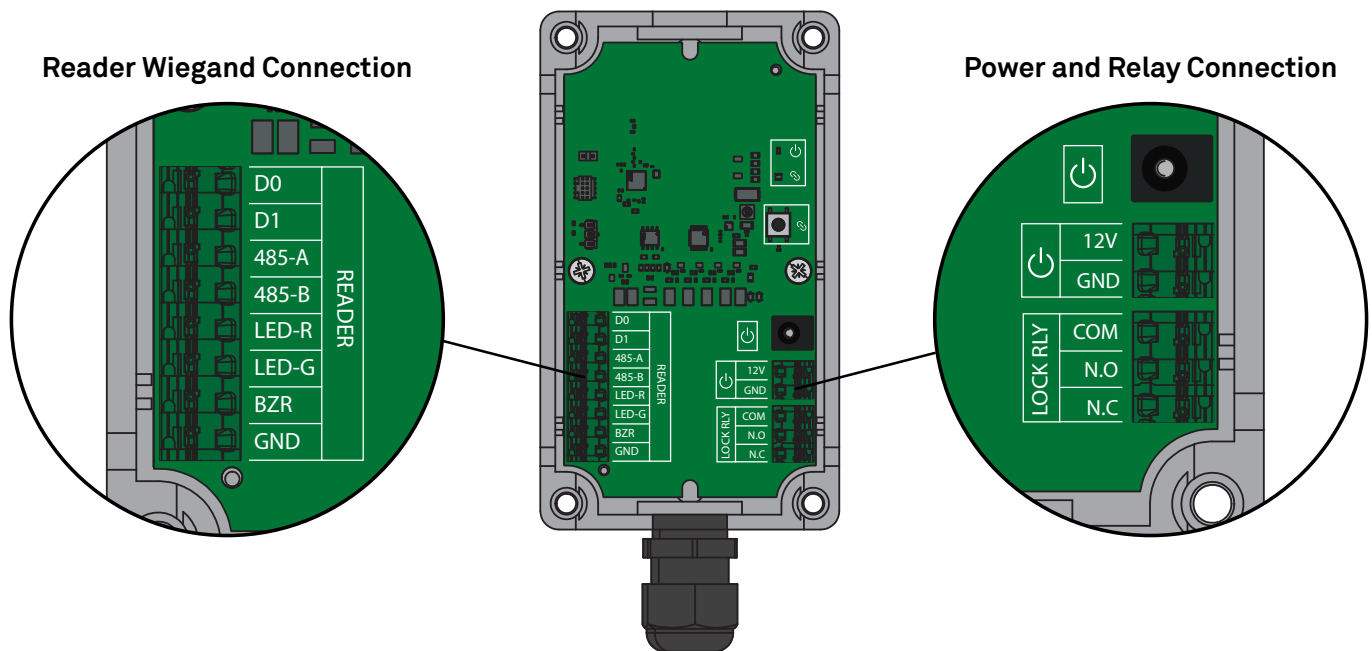
The Hub wires into a door controller using the Wiegand protocol. This allows the reader element of the Electronic Lockset to send the credential information to the door controller and access control system to be checked for access rights. The Hub also requires a connection to the relay Common and Normally Open terminals. This output indicates if the lockset can unlock and the length of time to remain open.

### Access Granted and Access Denied

The Electronic lockset requires feedback from the access control system to provide an access granted or access denied response to the end user.

- **Access Granted** - On access granted, the Electronic Lockset will see that the relay has triggered to provide a green light for access granted and unlock the door.
- **Access Denied** - On access denied, the relay will not be triggered. For the Electronic Lockset to understand that a card has been denied, a high signal must be read at the LED-R terminal. This can be achieved through a red LED output on the controller, or if this is not an option, this could be a buzzer or an alternative connection that creates a high signal output on an access denied event.

If the Electronic Lockset does not see the relay event on access granted or a high signal at access denied, then the product will show a purple light. This indicates an integration error and is shown by the LED flashing purple for 2 seconds.



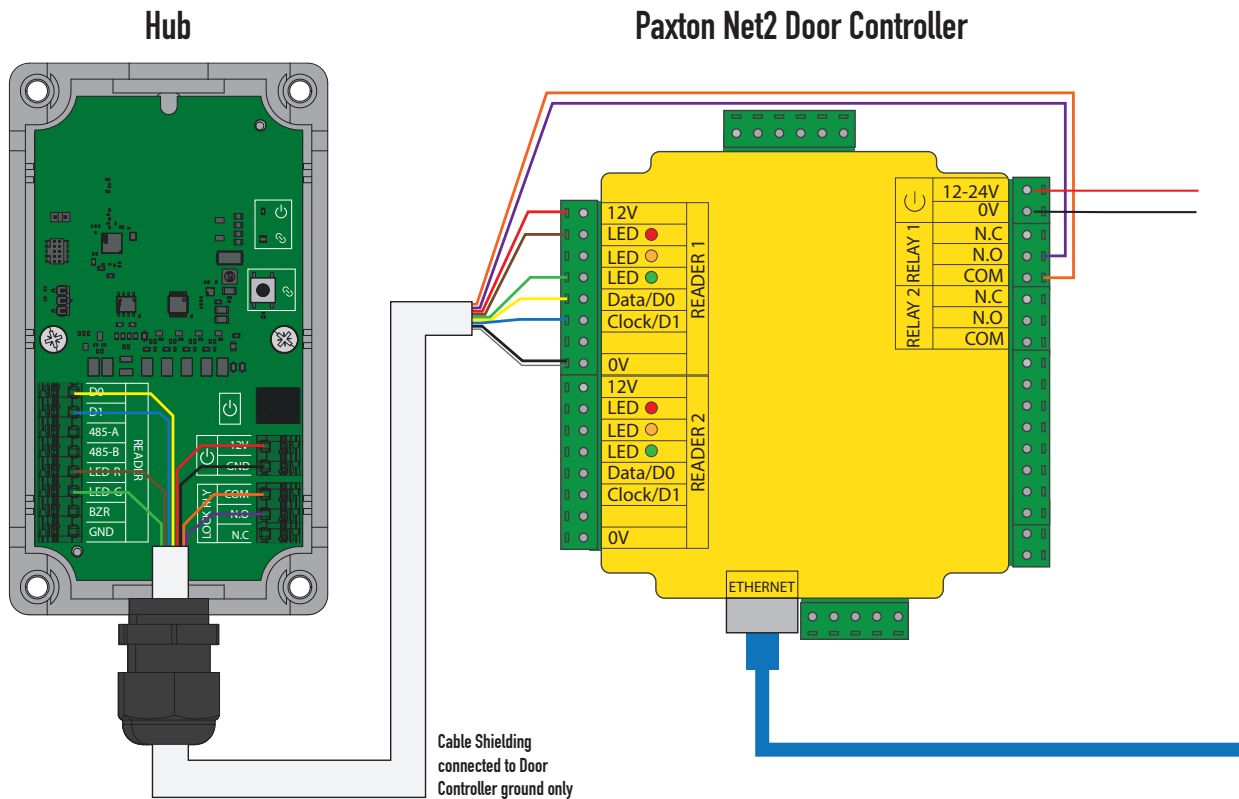
## CREDENTIALS

The Electronic Lockset is compatible with the following Mifare Credentials:

- Ultralight
- Classic 1K
- Classic 4K
- DESFire EV1 & EV2
- Plus EV1

EXAMPLE INTEGRATION - PAXTON NET2

Wiring - Hub to Door Controller



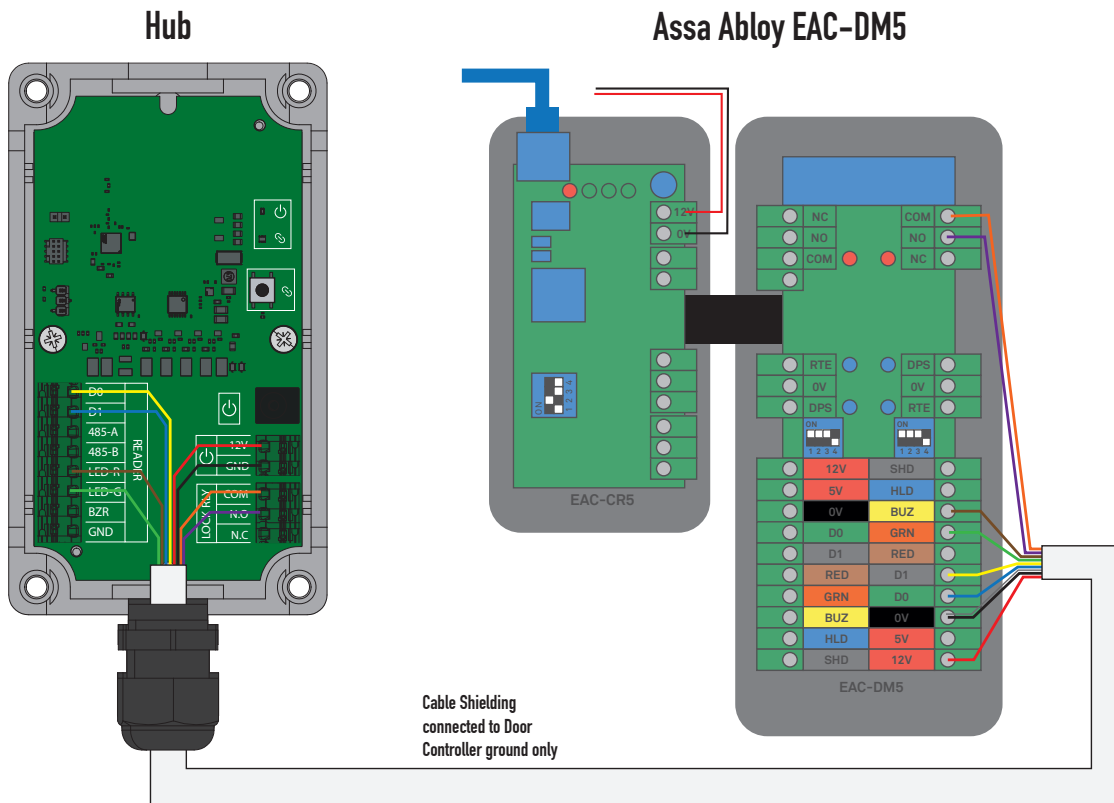
	Hub	Net2 Door Controller
Reader	D0	Data/D0
	D1	Clock/D1
	485-A	Not used
	485-B	Not used
	LED-R	LED Red
	LED-G	LED Green
	BZR	Not used
	GND	Not used
Power	12V	12V
	GND	0V
Lock Relay	COM	COM
	N.O.	N.O.
	N.C.	Not used

Custom software set up

Set up as a Wiegand reader.

**EXAMPLE INTEGRATION - ASSA ABLOY INCEDO**

**Wiring - Hub to Door Controller**



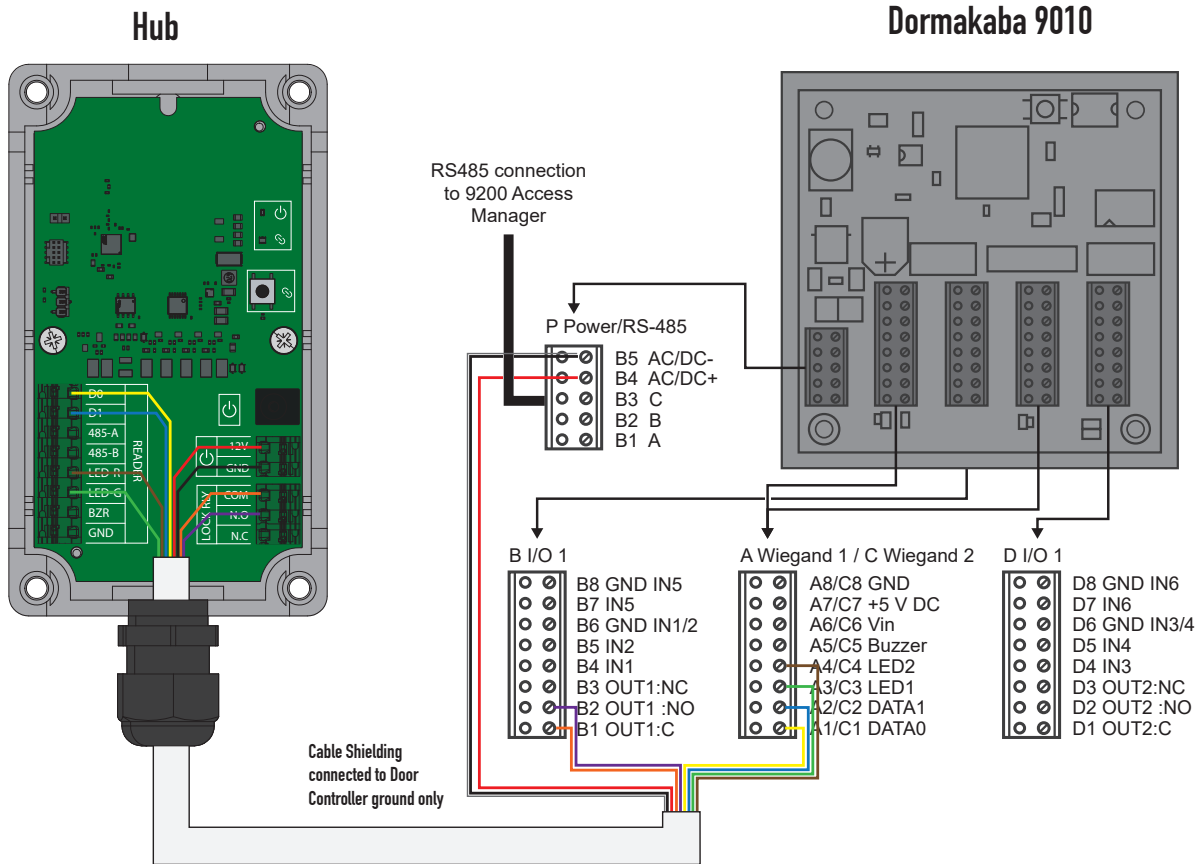
	Hub	Assa Abloy EAC-DM5
Reader	D0	D0
	D1	D1
	485-A	Not used
	485-B	Not used
	LED-R	Buzzer
	LED-G	LED Green
	BZR	Not used
Power	12V	12V
	GND	0V
Lock Relay	COM	COM
	N.O.	N.O.
	N.C.	Not used

**Custom software set up**

Set up as a Wiegand reader.

**EXAMPLE INTEGRATION - DORMAKABA EXOS 9300**

**Wiring - Hub to Door Controller**



	Hub	Net2 Door Controller
Reader	D0	A2/C2 DATA0
	D1	A1/C1 DATA1
	485-A	Not used
	485-B	Not used
	LED-R	A4/C4 LED2
	LED-G	A3/C3 LED1
	BZR	Not used
	GND	Not used
Power	12V	12V
	GND	0V
Lock Relay	COM	B1 OUT1:C
	N.O.	B2 OUT1:NO
	N.C.	Not used

**Custom software set up**

Set up as a Wiegand reader.

Direct support from Dormakaba is required to set up the reader profile.