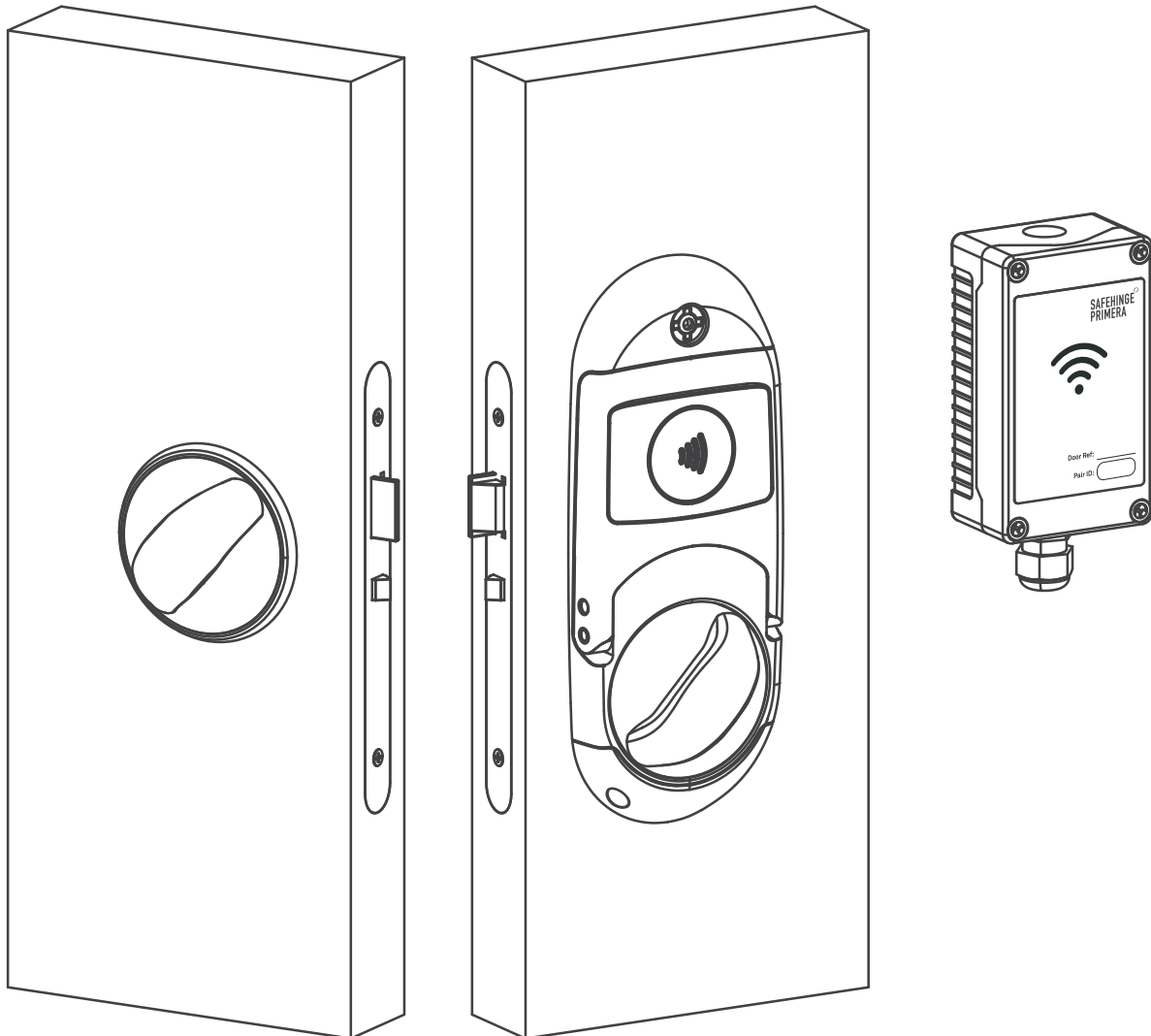


# ELECTRONIC LOCKSET INSTALLATION INSTRUCTIONS

**SAFEHINGE<sup>®</sup>  
PRIMERA**

Document No: SII041  
Document Revision: 1



# ELECTRONIC LOCKSET INSTALLATION INSTRUCTIONS

---

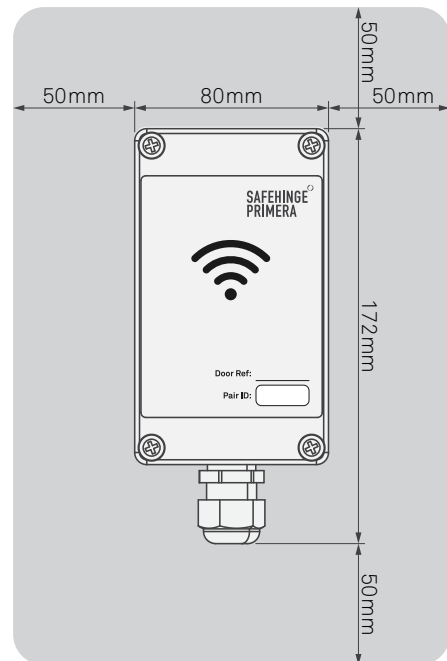
## CONTENTS

Pre install Survey.....	3
Hub Survey.....	3
Lockset Survey.....	3
Door Leaf Machining.....	4
Hub Installation.....	5
Hub & Lockset Identification.....	5
Hub Installation.....	6
Electronic Lockset Door Installation.....	7
Lockcase Installation.....	8
Drill Pilot Holes.....	9
Insert Spindles.....	10
Door Handing.....	11
Door Mounting.....	12
Uncover the Fixing Holes.....	13
Fixing to the Door.....	14
Return Emergency Lever.....	15
Install Battery Pack.....	16
Checks.....	17
Local System Checks.....	17
Access control System Checks.....	18
Mechanical Checks.....	19
Appendix A - Installation with a Repair Plate.....	21

## PRE INSTALL SURVEY

### HUB SURVEY

1. It is recommended to leave 50mm clearance around the edge of the Hub, as per the diagram, to allow access for installation and wiring.
2. Do not install the Hub in a patient-accessible location.
3. The Hub can be mounted to concrete, timber, and timber stud wall substrates. It should be mounted away from large volumes of metal, and never be mounted inside a metal box due to interference with the wireless signal.
4. The Hub is wired to the door controller. The maximum wiring distance between the Hub and the door controller is 100m. You must ensure that your system is capable of providing enough current across this distance. For cable runs over 25m, you will need to double up the +ve and -ve power cores.
5. The maximum wireless communication range between the Electronic Lockset and Hub is 7m (depending on building fabrication).



### LOCKSET SURVEY

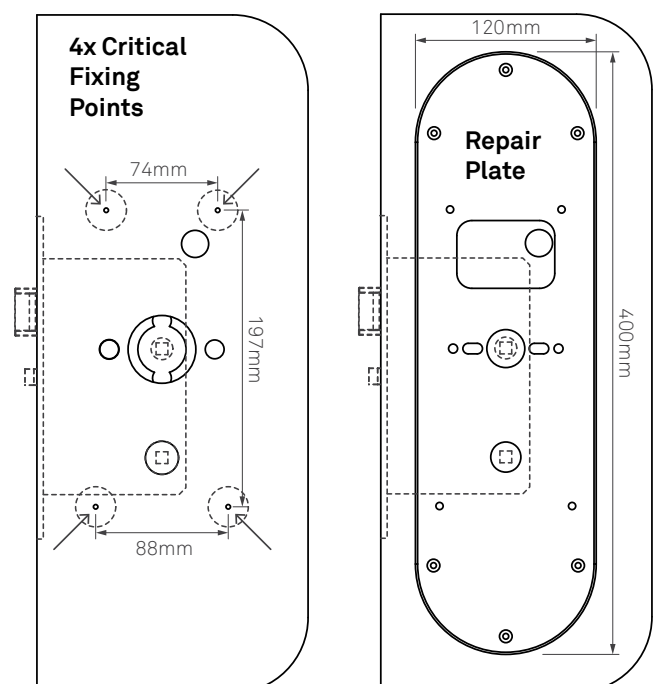
1. For new doors, ensure that the machining detail is correct as per the 'Door Leaf Machining' on the following page.
2. A Lifeline key is required for the installation, it cannot be completed without one (Part No. PR-7320-LLZ-BK). The Electronic Lockset Installation Jig is essential to aid with installation of the lockset to the door (Part No. PR-3-06-725P-JIG).
3. For fire rated doors an intumescent wrap (Part No. PR-7701-ILW) must be used on the lockcase.
4. Ensure compatibility with any anti-barricade stop. Timber removeable door stops or swing stops will need to be machined in order to function with the Electronic Lockset. Safehinge Primera does not provide this service. See 'Door Stop Compatibility' below for compatibility information.

### RETROFIT DOOR SURVEY

1. For retrofit doors, this diagram shows the critical fixing locations which require timber to fix to. If this is not available on the door, the door must be repaired or a repair plate is needed (Part No. B501350).
2. For a repair plate installation, the diagram shows the area that the repair plate covers. If there is damage outside of this area, the door will need to be repaired or replaced.

**If it is a fire door, the repair must be carried out to applicable standards.**

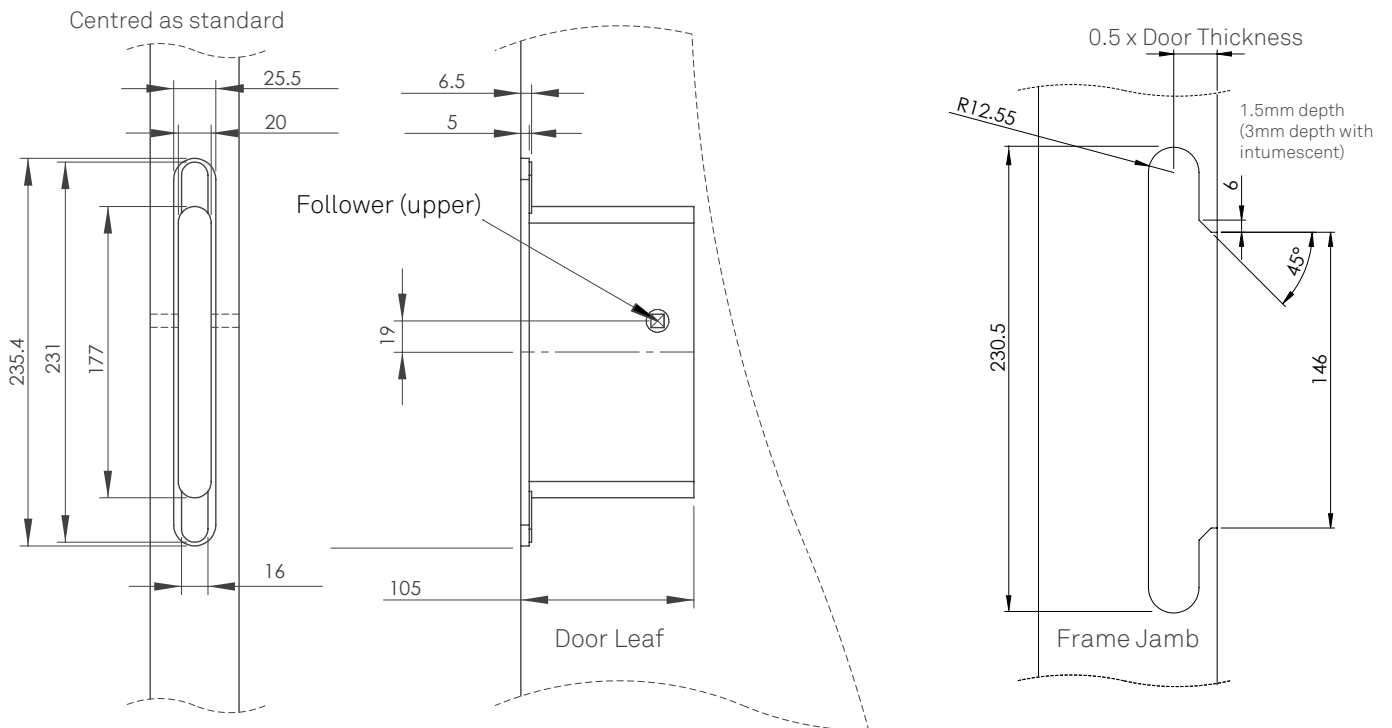
**If a removable door stop is being used, ensure it is compatible with the Electronic Lockset and machined accordingly.**



# DOOR LEAF MACHINING

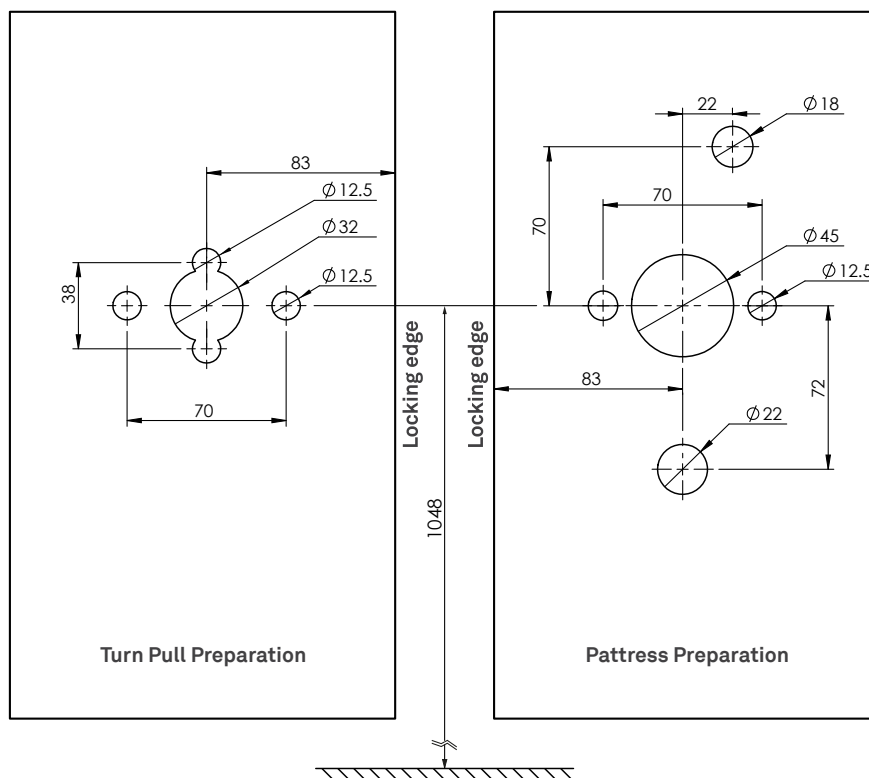
Before installation of lockset, ensure the door and frame have been prepared as shown in the diagram below.

## Lockcase and Strike Preparation



**Note: 2-4mm gap between door and frame is recommended at the closing edge.**

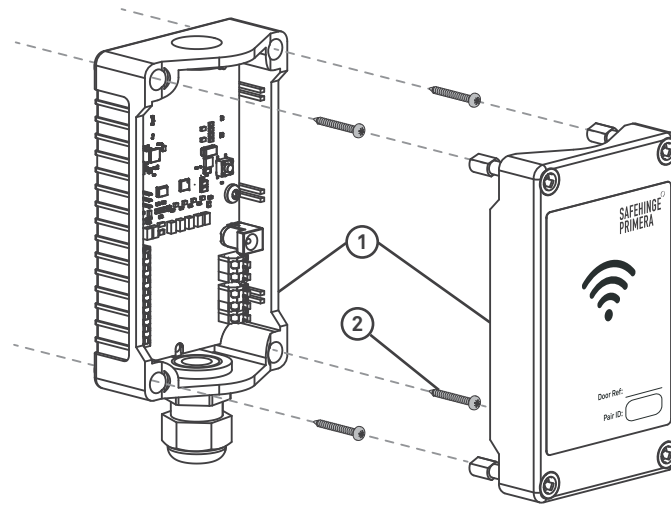
## Door Face Preparation



**Note: 1048mm height is a recommendation. Ensure the lockset does not clash with any other door components.**



# HUB INSTALLATION



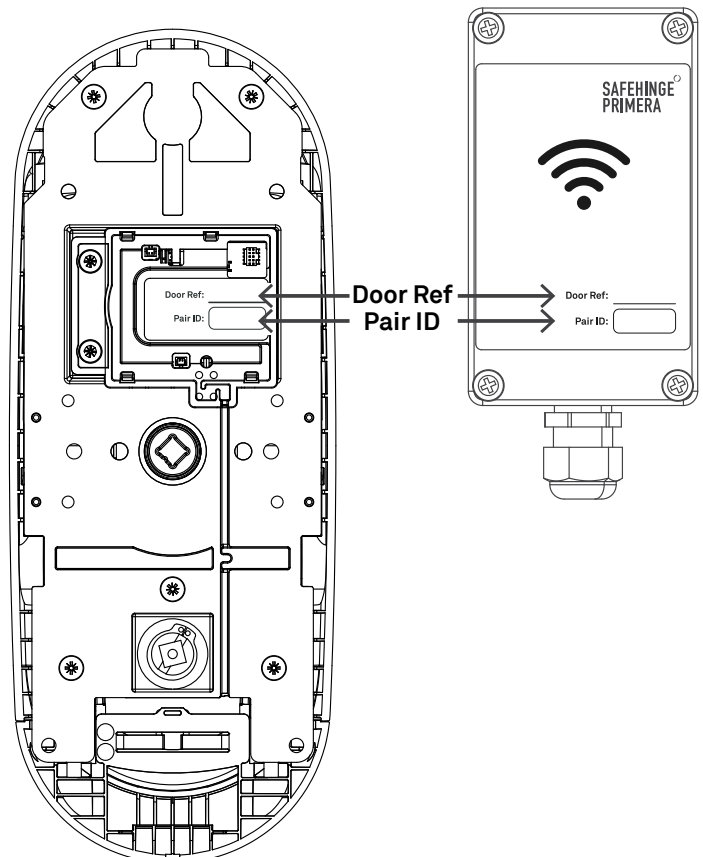
Item No.	Component	Qty.
1	Hub	1
2	Fixing Pack	1

Tools Required
Cordless drill with torque settings (not an impact driver)
Drill bits for pilot holes and rawl plugs
PZ1 screwdriver
PZ2 screwdriver
12V Power Supply

## 1.0 HUB & LOCKSET IDENTIFICATION

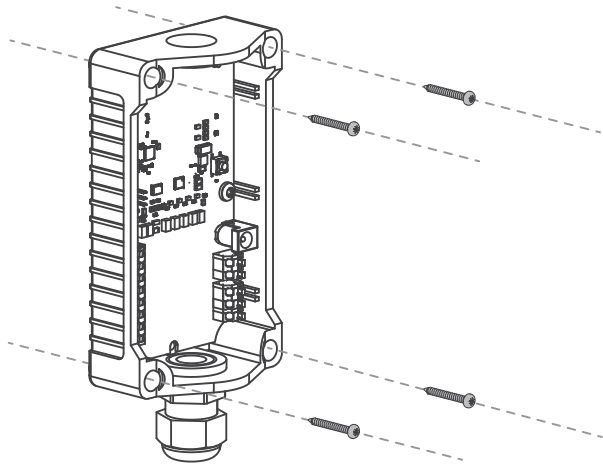
The Lockset and Hub are factory paired. The Pair ID shows which units are connected. The ID is also visible on the Hub PCB and Lockset housing.

The door reference is to be written on at the point of installation. This is to identify which door the Lockset and Hub are associated to in order to connect to the correct door controller. This should be written in a permanent marker.



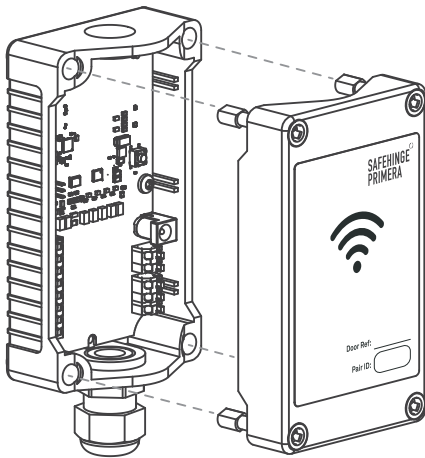
## 2.0 HUB INSTALLATION

- Using the 4 fixings (PZ1) provided, mount the hub to the wall. Use pilot holes and rawl plugs if needed.

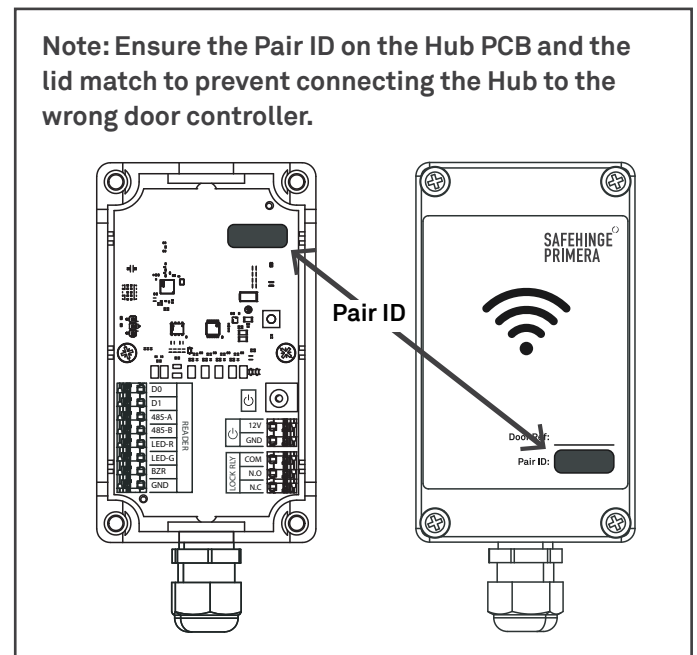


**Note:** Do not use power tools to tighten the screws. A screw driver is required to prevent damage to the threaded holes that secure the lid.

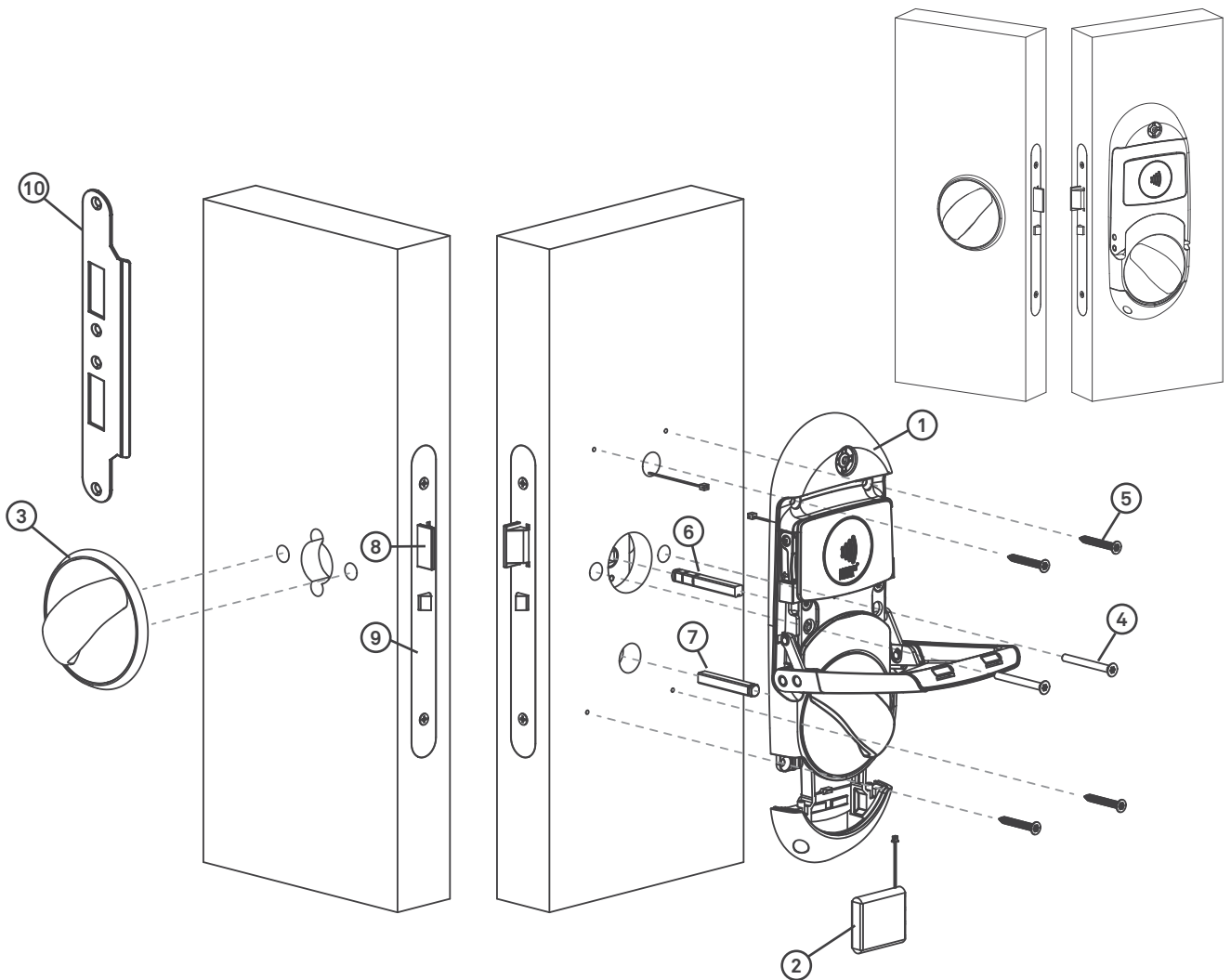
- Screw in the lid to the hub using the captive screws (PZ2) in the lid.



**Note:** Ensure the Pair ID on the Hub PCB and the lid match to prevent connecting the Hub to the wrong door controller.



# ELECTRONIC LOCKSET DOOR INSTALLATION



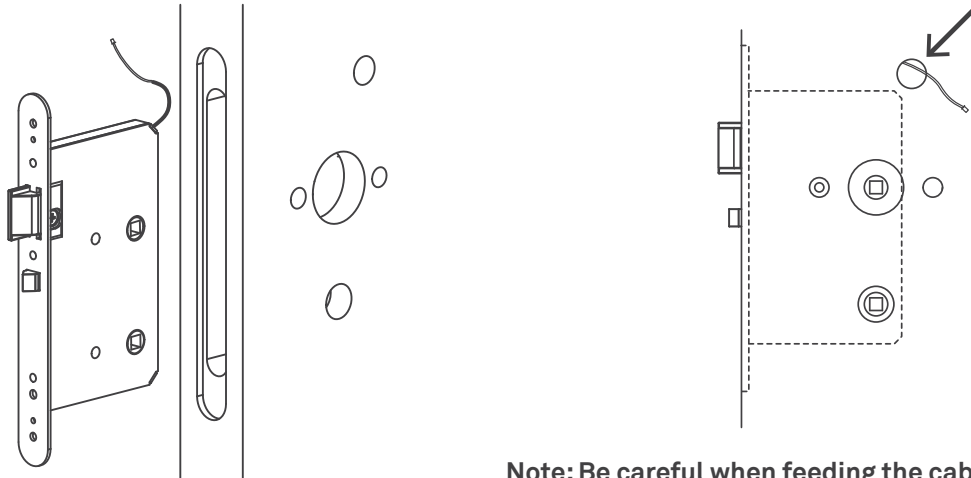
Item No.	Component	Qty.
1	Pattress Assembly	1
2	6V Battery Pack	1
3	725 Turn pull Assembly SSS	1
4	Anti-tamper machine screw (length will vary for 44mm and 54mm doors)	2
5	Anti-tamper self tapper (No.10 x 38mm)	4
6	Upper Spindle (length will vary for 44mm and 54mm doors)	1
7	Lower Spindle (length will vary for 44mm and 54mm doors)	1
8	Nightlatch Lockcase with fixings	1
9	Forend 235mm N/L	1
10	Strike Plate for 42-54mm door details	1
N/A	Intumescent Wrap (sold separately)	1

Tools Required
<b>(Tools required assuming the door machining and lockcase is already installed - See Lockcase Door Preparation for retrofit product)</b>
SHP Lifeline Key
TX25 Pin Torx screwdriver
PZ2 screwdriver
Flat head screwdriver
Cordless drill with torque settings (not an impact driver)
3mm drill bit
TX25 Pin Torx drill bit
1.5mm hex key
Electronic Lockset Installation Jig

### 3.0 LOCKCASE INSTALLATION

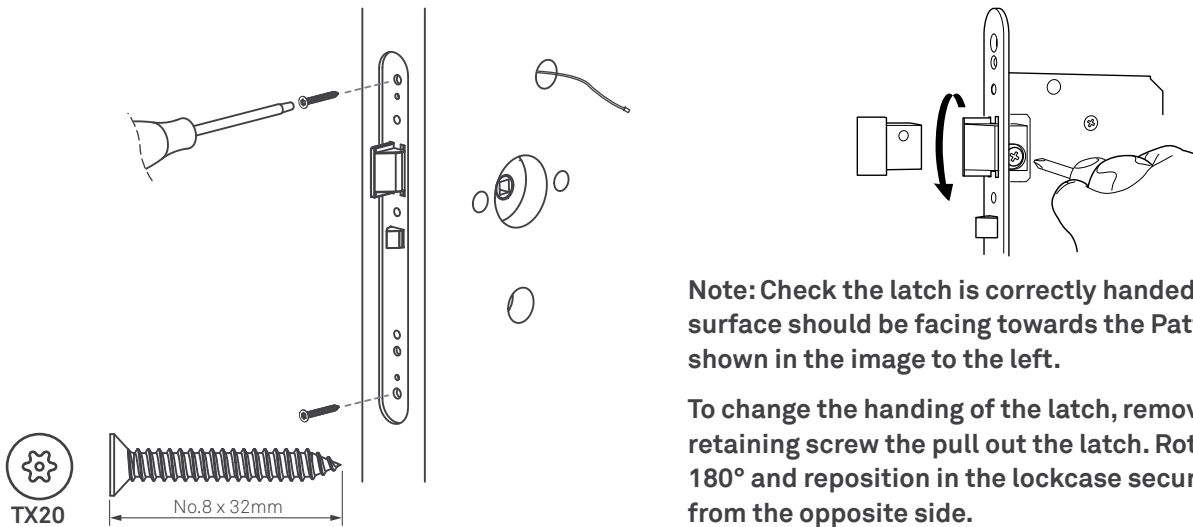
If the door is fire rated, apply the intumescent wrap to the lockcase and strikeplate.

1. Insert the lockcase into the mortice feeding the cable through the door.



**Note:** Be careful when feeding the cable through the hole to ensure the cable does not get damaged.

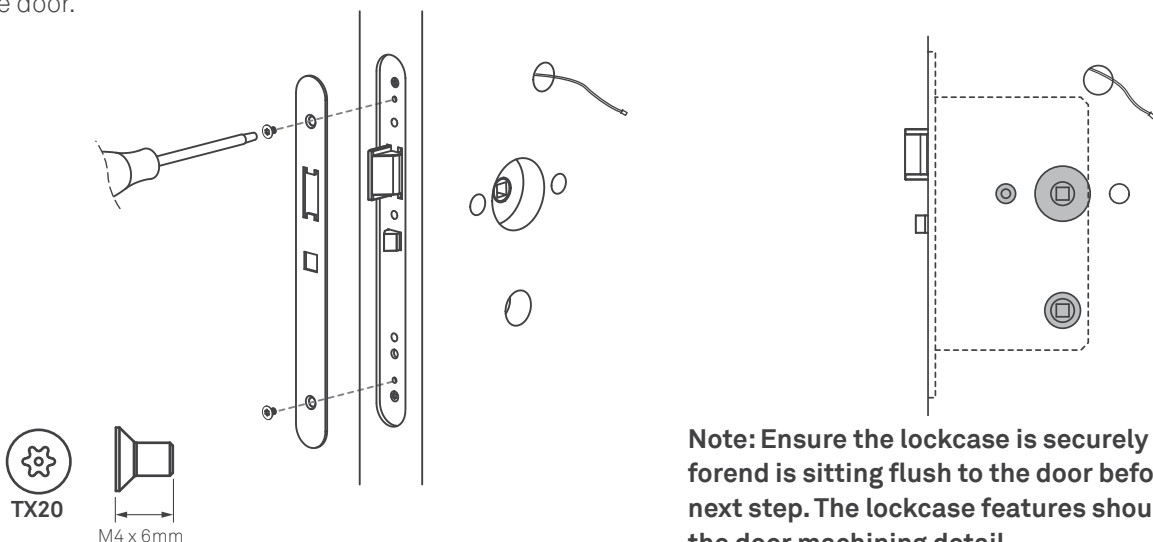
2. Secure the lockcase in place using the fixings provided.



**Note:** Check the latch is correctly handed. The angled surface should be facing towards the Patress as shown in the image to the left.

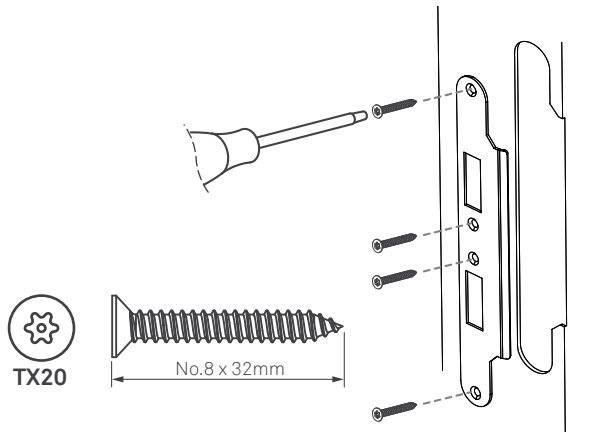
To change the handing of the latch, remove the retaining screw, pull out the latch, rotate the latch 180° and reposition in the lockcase securing the screw from the opposite side.

3. Place the cover plate in position and fasten. Make sure that the cover plate is sitting flush to the closing edge of the door.



**Note:** Ensure the lockcase is securely in place and the front is sitting flush to the door before starting the next step. The lockcase features should line up with the door machining detail.

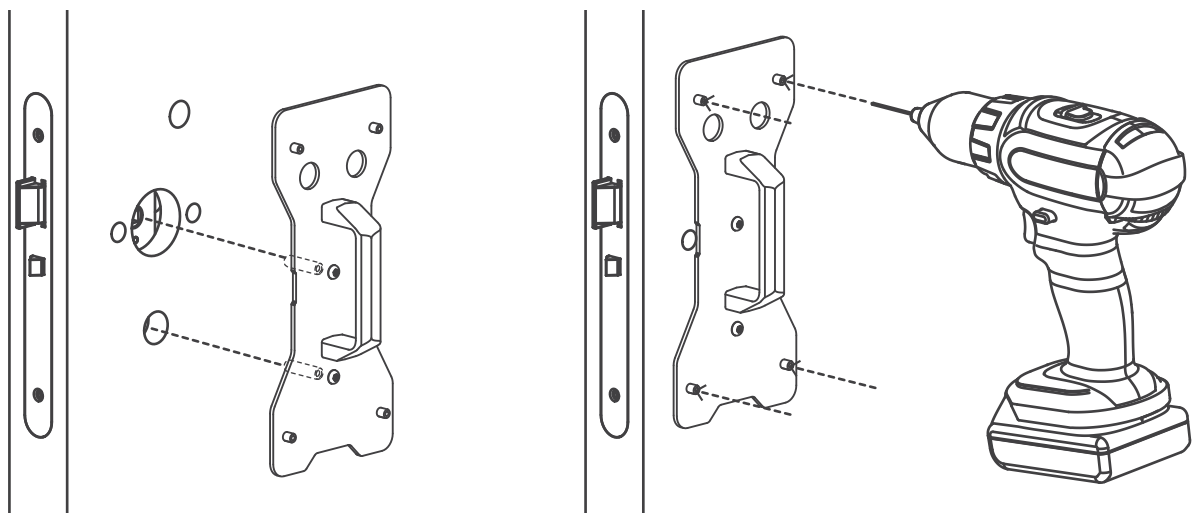
4. Screw the strike plate to the frame jamb using the fixings provided.



#### 4.0 DRILL PILOT HOLES

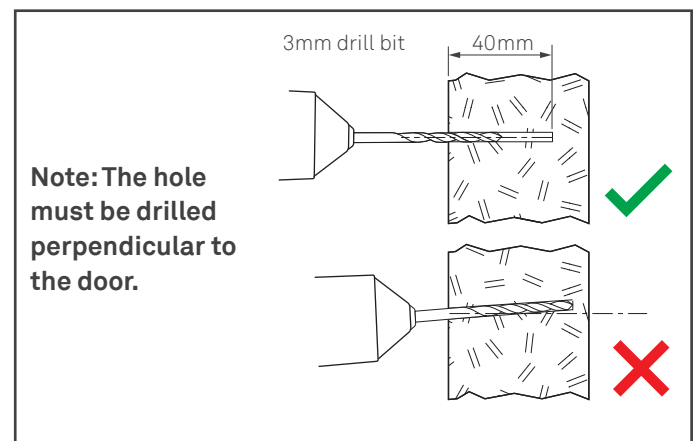
The pilot hole jig is required to create accurate fixings locations for the Pattress. **The accuracy of the fixing holes are critical to product function.**

Ensure that the lockcase is correctly fitted before using the drilling jig. **It is essential that the jig is used to ensure reliable hole positions.**



Locate the two dowels on the pilot hole jig into the lockcase followers. The jig will align to the lockcase, therefore, if the lockcase is not square, the jig will not be square. Check that the orientation of the jig matches the image above.

Once the jig is aligned, Drill the four fixing holes using a 3mm drill bit. Ensure the holes are drilled level.

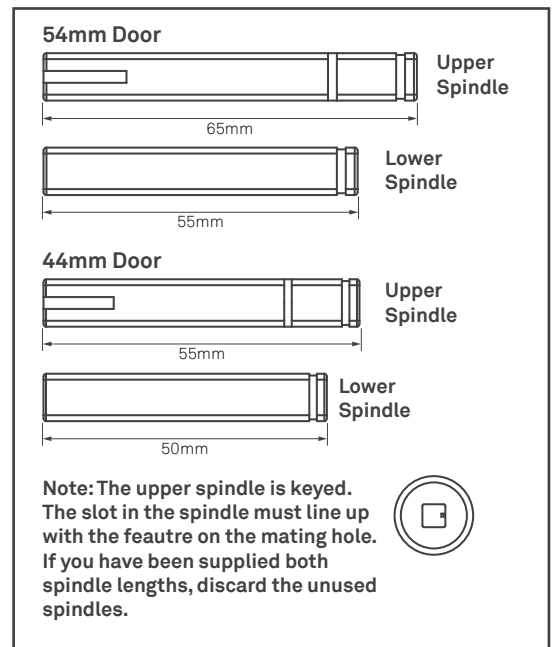
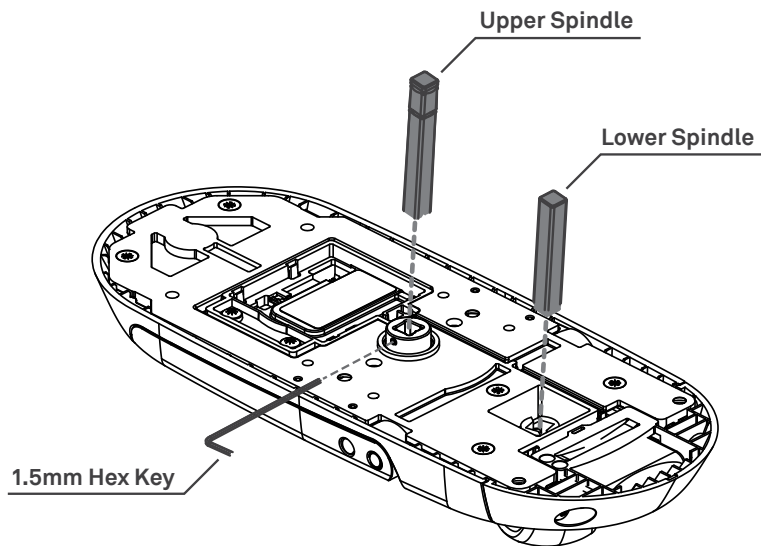


Additional steps required when using a repair plate only. Complete appendix steps A 1.0 and A 2.0 before moving on to next step.

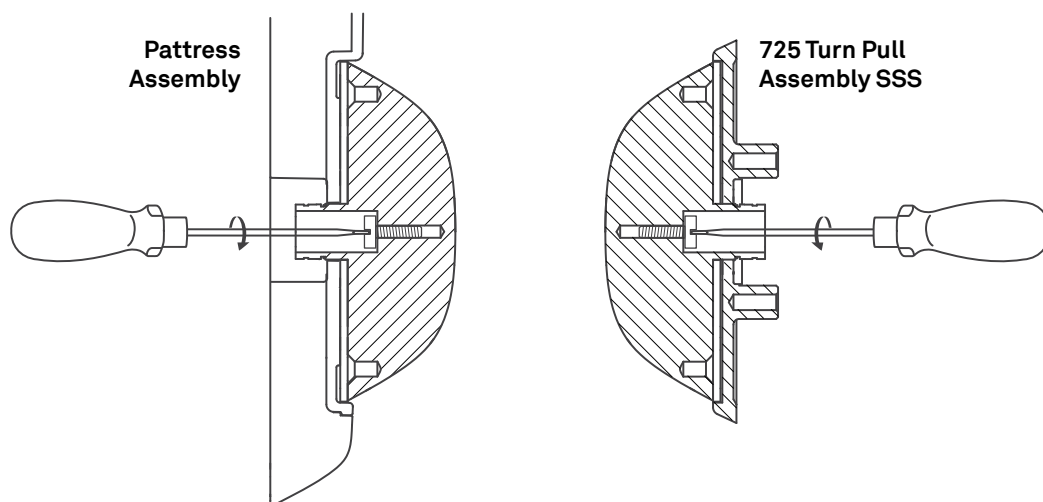
## 5.0 INSERT SPINDLES

On the back of the product, insert the upper and lower spindle in place as shown below. The upper spindle can only be inserted in one direction to ensure the 'spindle shear' feature is always available. Ensure you use the correct length spindle for the door's thickness.

Using a 1.5mm hex key, fix the upper spindle in place with the grub screw.



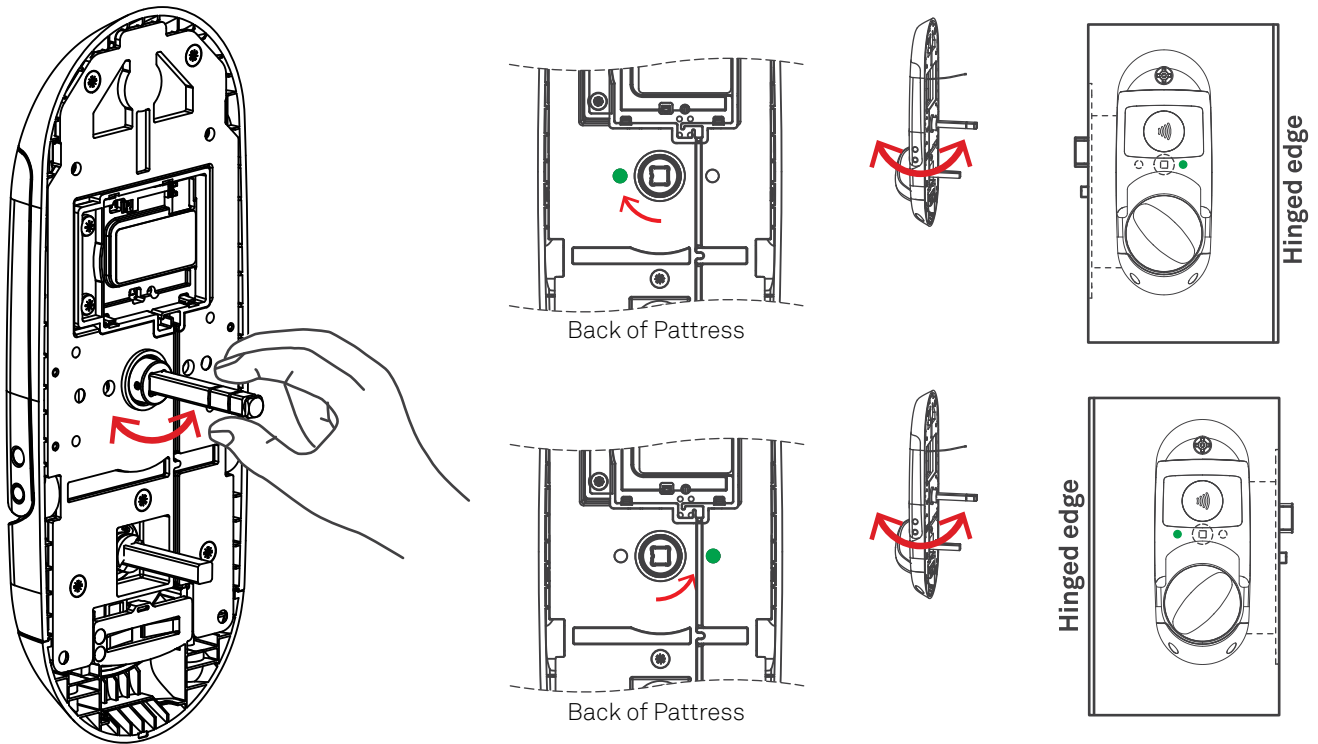
Check that the fixing within the turn pulls, on both the Pattress Assembly and the 725 Turn Pull Assembly, are fully engaged. This will ensure that the spindles are located correctly and the Pattress can sit flush to the door.



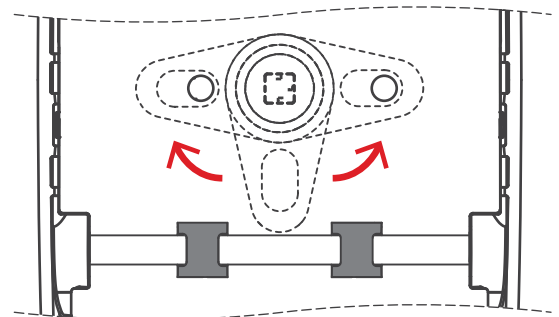
## 6.0 DOOR HANDING

The integrated override system within the Lockset is handed and must be changed depending on the handing of the door. **The product handing is essential to the function of the override.**

To change the handing of the product, the upper spindle can be rotated 180 degrees. An indicator on the back of pattress will highlight which handing the product is set to. The indicator must always be pointing away from the lock when mounted to the door.



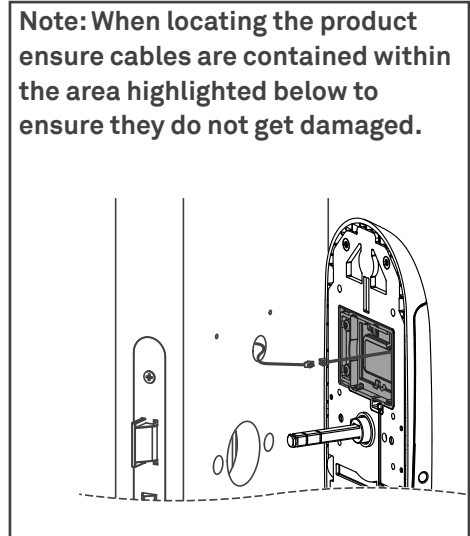
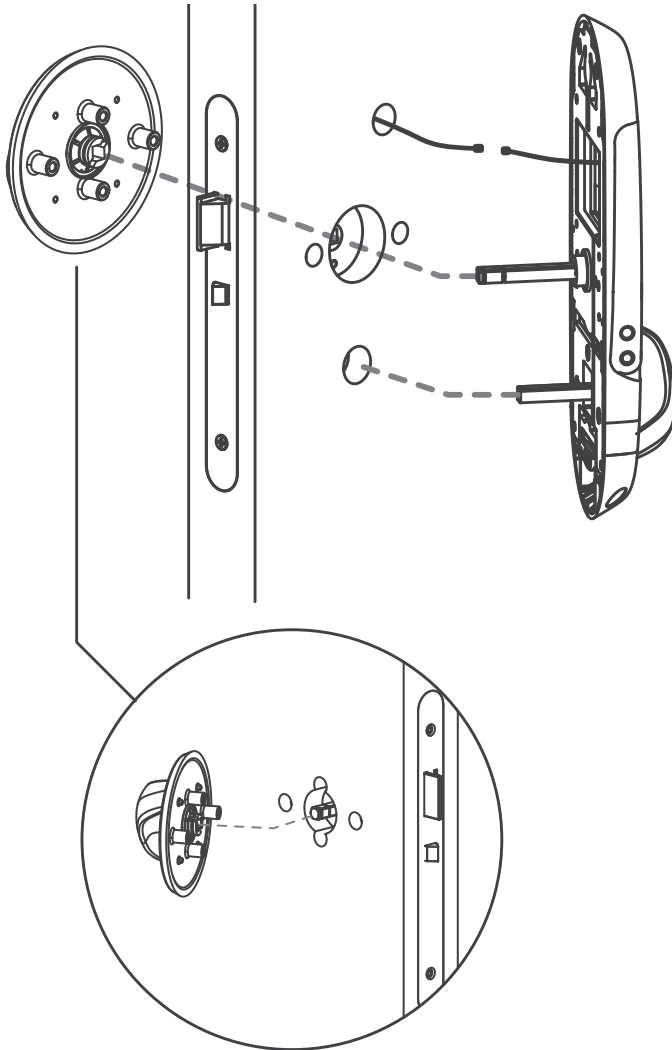
**Note:** When rotating the upper spindle a cam is changing position within the Pattress. The cam must pass the highlighted bump features to prevent the system from unintentionally changing the handing on install. Some force may be required to change the handing.



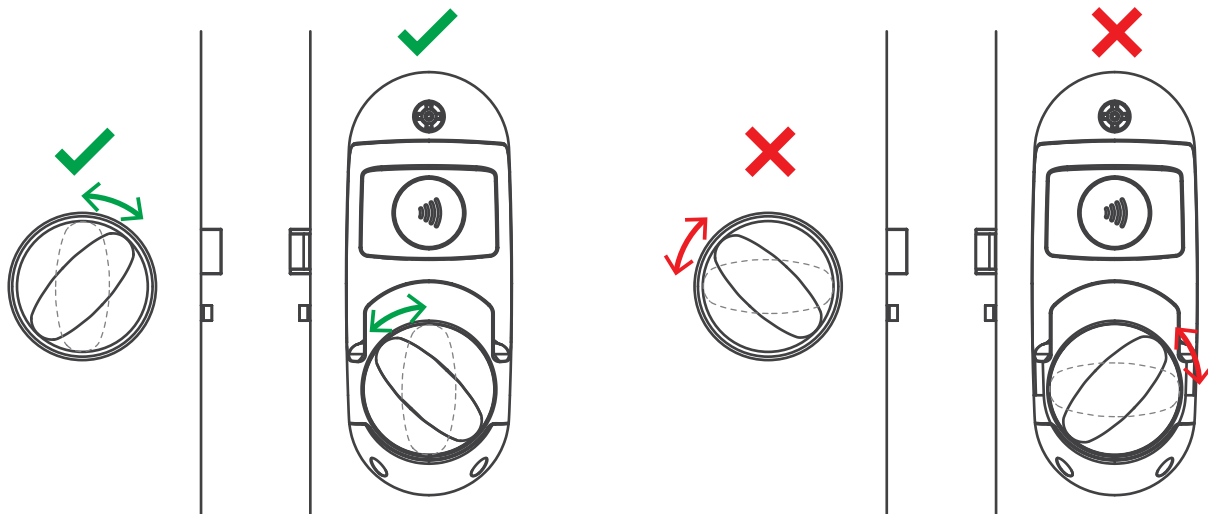
## 7.0 DOOR MOUNTING

Connect the adapter cable (from the back of the Pattress) to the lockcase cable (from the lockcase within the door). Locate the Pattress onto the door using the two spindles and push onto the door. **Guide the cables behind the PCB whilst locating the Pattress.** Place the turn pull onto the opposite side of the door.

**The pattress must sit flush to the door. If it does not sit flush, the cable may be in the way or the turn pull screw may have not been adjusted (step 5.0).**



The turn pulls should never pass through the horizontal position. When locating the spindles ensure the turn pulls on both side of the door are correctly aligned as below.



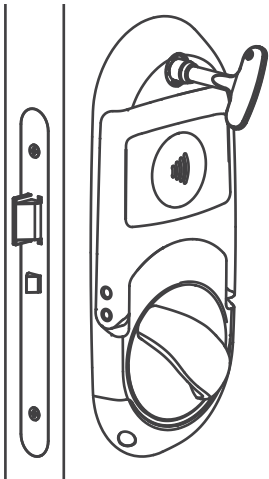


## 8.0 UNCOVER THE FIXING HOLES

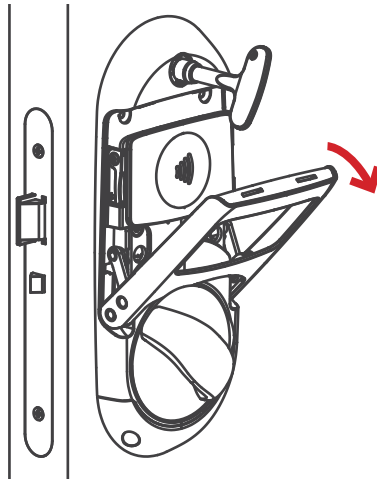
To uncover the fixing holes, the emergency lever must be deployed and the battery tray released.

### Deploy the Emergency Lever

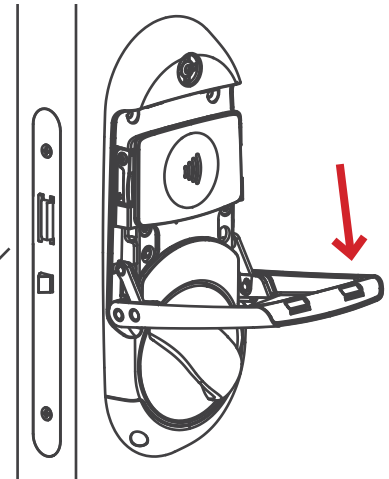
Once the keyway is turned, the lever will automatically open to the first position (between 30 - 45 degrees) and can then be pushed down to the horizontal position (~90 degrees). If the handing is set incorrectly, the lever will not move past the first position and must be changed (step 5.0). **Do not force the lever if it does not move freely.**



1. Use SHP Lifeline key to activate the emergency lever.

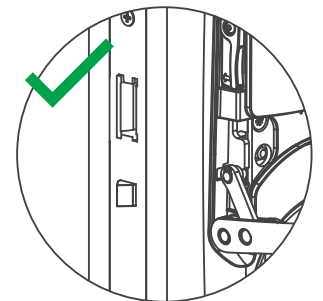
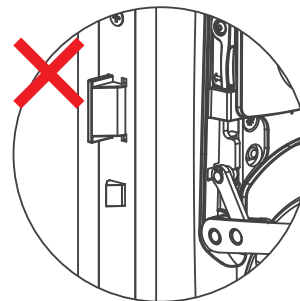


2. Once activated, the emergency lever will automatically eject.



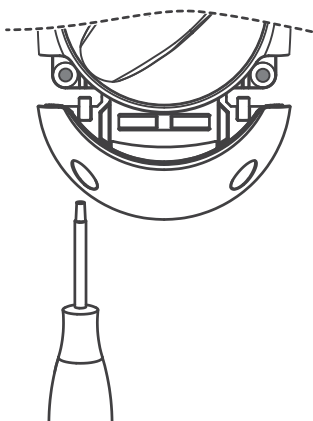
3. Push down on the lever to the horizontal position.

**Note:** When the emergency lever is fully deployed the latch should be retracted. If the latch does not retract then the handing (step 5.0) has not been completed correctly.

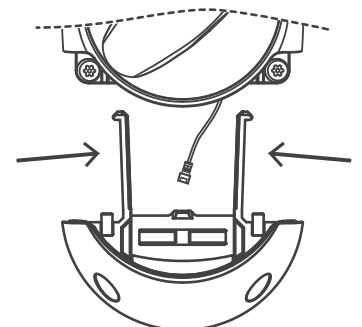


### Release the Battery tray

Undo the two captive fixings within the battery tray (TX25) and slide the tray down. This will reveal the final fixing holes.



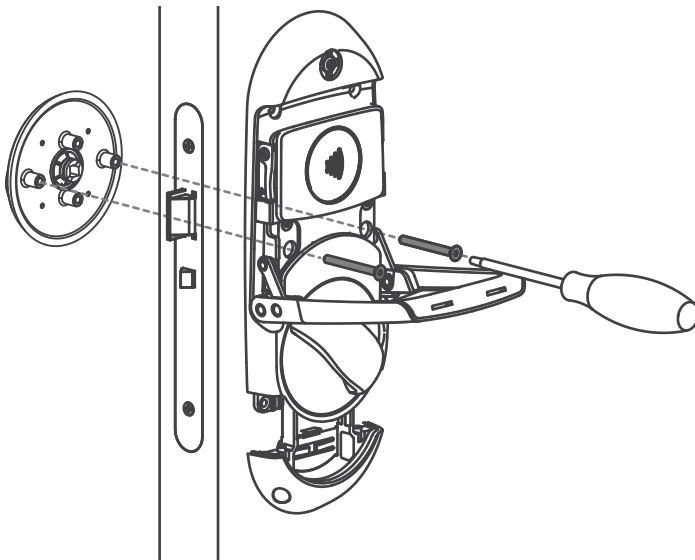
**Note:** The battery tray can be removed and returned by pushing together the legs.






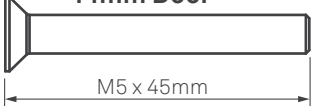
**9.0 FIXING TO THE DOOR**

**!** Alternative step required only when using a repair plate. Complete appendix step A 3.0 before completing this step.

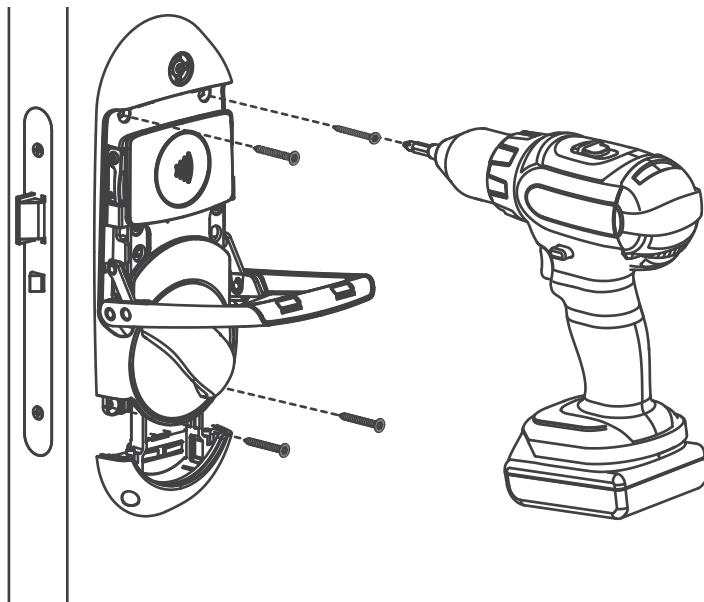
Locate the two security machine screws through the Pattress and secure them into the turn pull on the opposite side of the door. Align the fixing holes to the pilot holes (pilot holes in step 4.0) and tighten the screws using a TX25 screw driver. Do not use power tools.


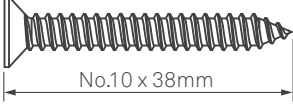


**Note: the length of the fixing will vary between a 54mm and a 44mm door.**

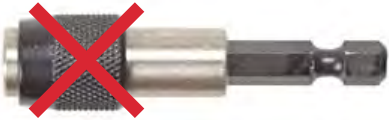
 <b>PZ2</b>	<p><b>54mm Door</b></p>  <p>M5 x 55mm</p>
 <b>TX25</b>	<p><b>44mm Door</b></p>  <p>M5 x 45mm</p>

Insert the four security wood screws into the pilot holes. The Pattress should sit tight to the door without any gaps around the edge of the product when the screws are fully tightened.



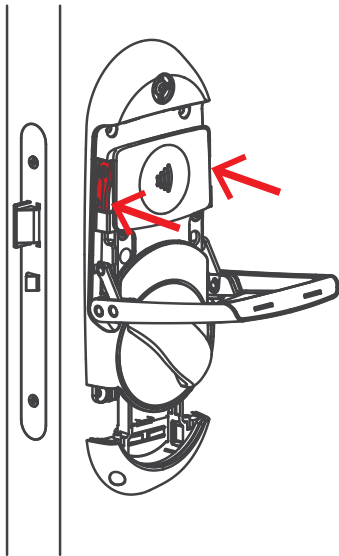
 <b>TX25</b>	 <p>No.10 x 38mm</p>
--	--

**Note: Avoid using quick release drill bit holders with knurled surfaces. This can rub on the plastic and damage the product.**

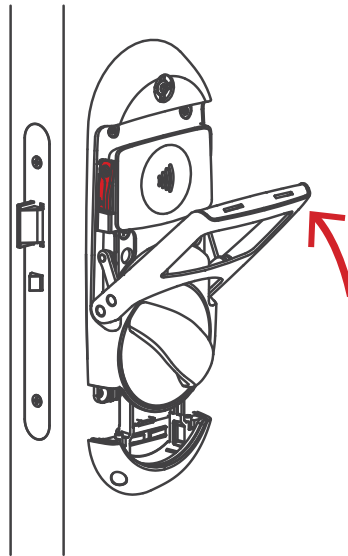


## 10.0 RETURN EMERGENCY LEVER

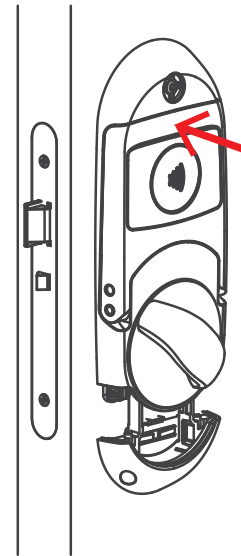
To return the emergency lever, the ratchet system must be released.



**1.** Push down both of the red switches to release the ratchet mechanism

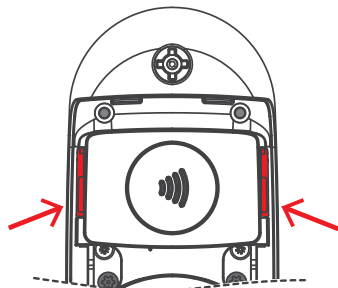


**2.** Once the ratchet has been released, the emergency lever can be pushed upwards towards the door.



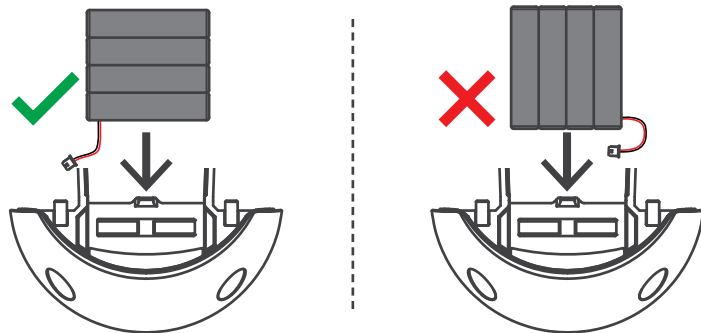
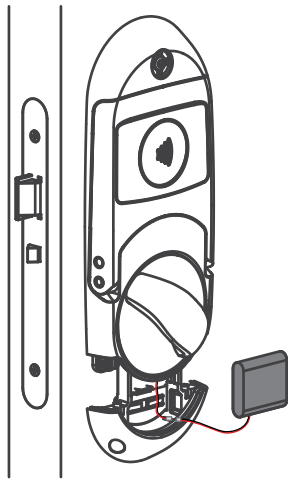
**3.** Firmly press the lever into the pattrass to lock it in place. Ensure the lever is securely in place before leaving the product unattended.

**Note: Both switches must be depressed to release the ratchet system**



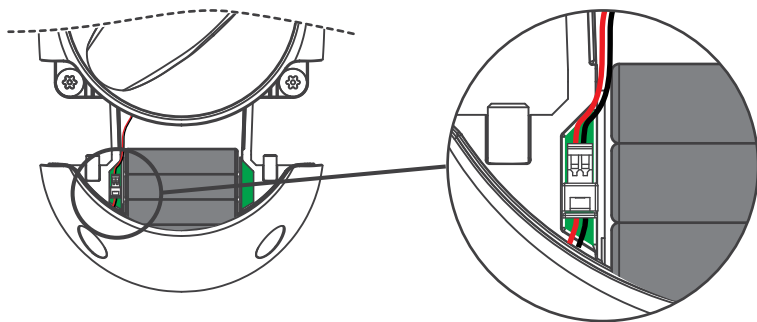
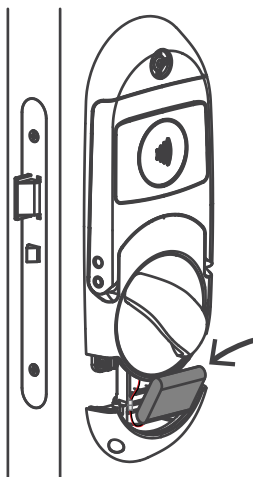
## 11.0 INSTALL BATTERY PACK

1. Slide down the battery tray until it is fully opened. Connect the cables from the Pattress to the battery cable.



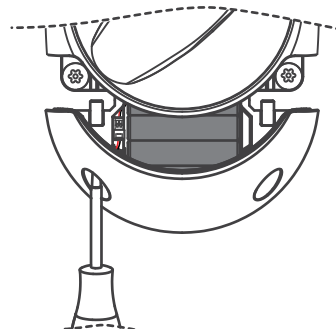
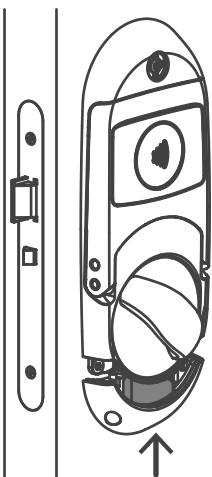
**Note:** Ensure the battery is in the correct orientation.

2. Angle the battery pack into the battery tray.



**Note:** The cable connectors should be located within the recess as pictured above to prevent damage.

3. Once the cable is in the correct location, push the battery flat to the door and slide the battery tray upwards. Using a TX25 security torx screw driver, tighten the two captive fixings.



**TX25 security  
driver required**

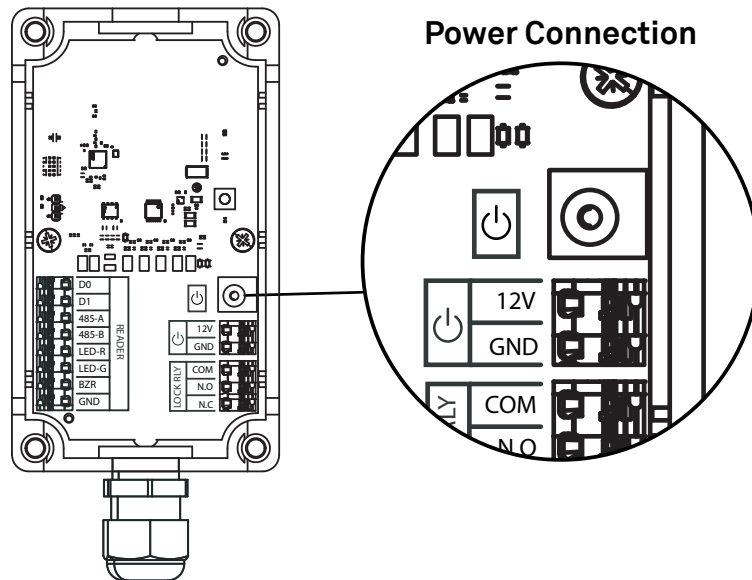
**Note:** Do not over tighten, this can impact the rotation of the turn pull.

# CHECKS

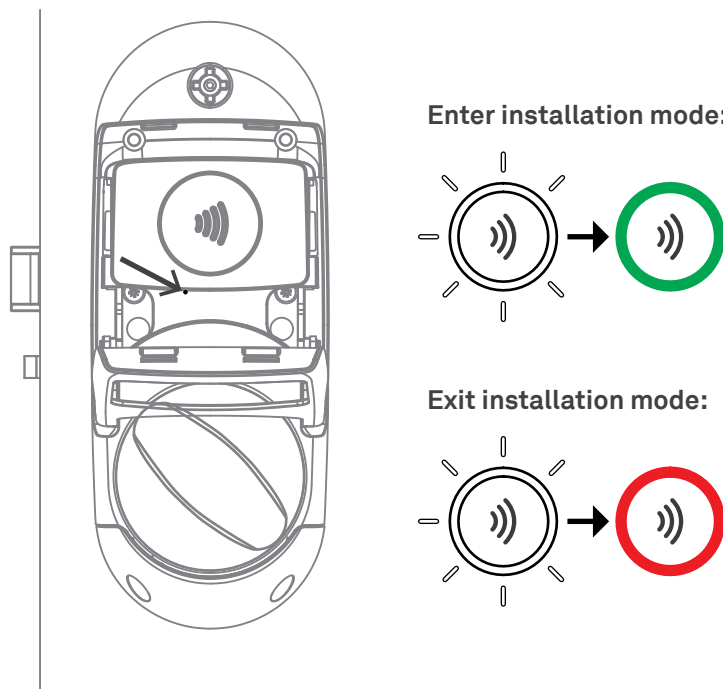
## 12.0 LOCAL SYSTEM CHECKS

The Electronic Lockset has an installation mode that allows the installer to scan any credential to validate the communication between the Hub and Lockset, as well as checking that the lock is correctly unlocking and relocking.

1. Plug in a 12V power supply to the power port using a 5mm jack, or wires into the terminal block.



2. Enter installation mode by deploying the emergency lever and pressing the switch inside the pinhole for 3 seconds. When the switch is released the lockset will flash white for 2 seconds then turn solid green for 1 second to indicate it has entered installation mode. The lockset will exit installation mode automatically after 1 minute. This will be indicated by it flashing white for 2 seconds, then turn solid red for 1 second.

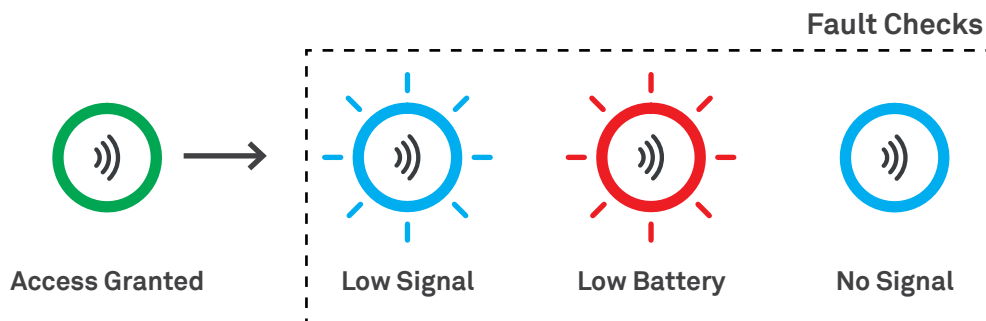


3. In installation mode any credential, metal or NFC object will be granted access to the room. Scan one of these items to check the door unlocks. The door will lock again after 5 seconds.



4. When a credential is accepted the lockset will turn solid green for 2 seconds to indicate the lock is open. The lock will then perform a fault check and will flash the following colours depending on the fault:

- A flashing blue light for 2 seconds means the lockset has poor signal to the hub
- A flashing red light for 2 seconds indicates the battery level is low
- A flashing red light for 10 seconds indicate the battery level is critical
- A solid blue light for 2 seconds means the lockset cannot communicate to its hub



### 13.0 ACCESS CONTROL SYSTEM CHECKS

The system checks are recommended to be carried out once there is a functioning access control system connected to the hub, and a credential with access to the door is available.

- Use a programmed credential to check the access is as expected
- Issues between the hub and door controller or access control system will be indicated by a purple flashing light at the lockset when scanning a credential

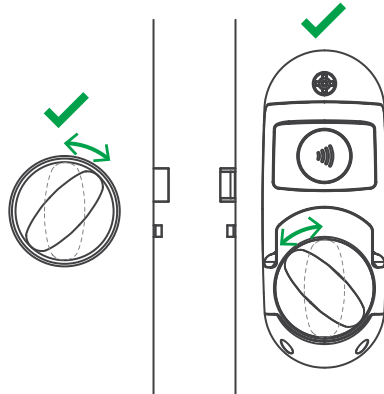


**Issue between hub and door controller  
or access control system**

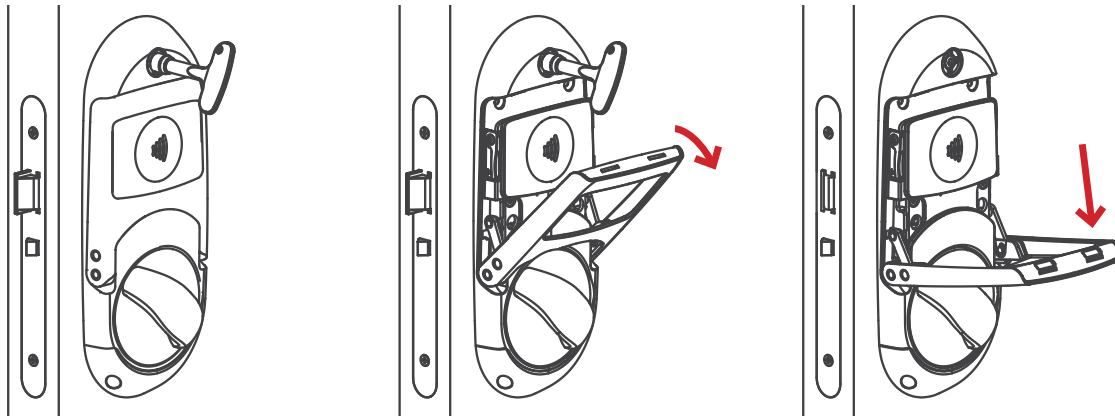
## 14.0 MECHANICAL CHECKS

These checks should be carried out to confirm the installation has been completed successfully and the product works as intended:

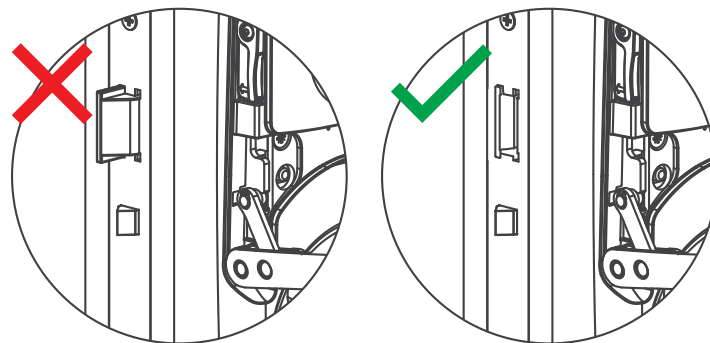
1. Both turn pulls rotate smoothly and return back to their original position.



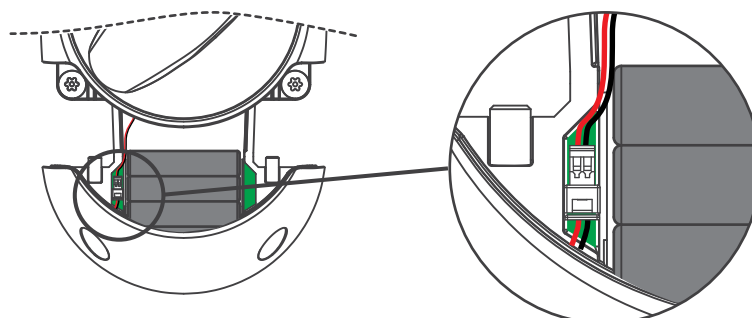
2. Use the SHP Lifeline key to activate the emergency lever to check that it deploys.



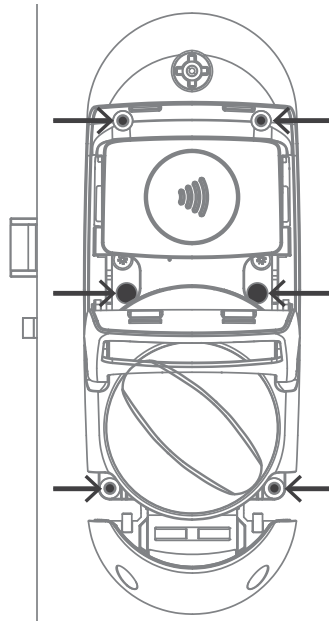
3. When the handle is at 90 degrees, the latch is retracted.



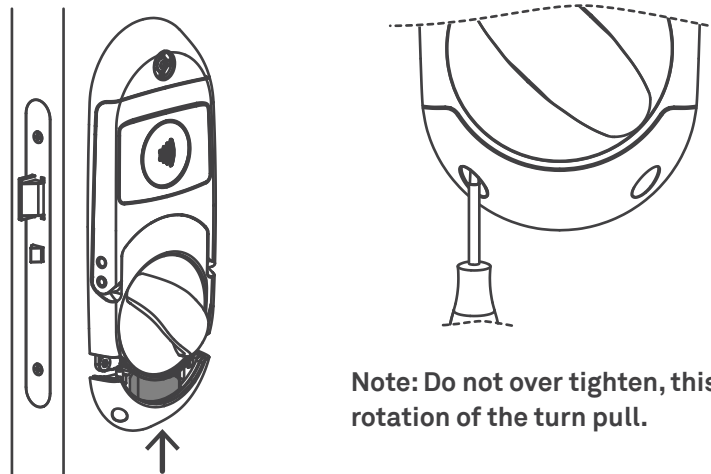
4. The battery is in place and the connector is in the correct location.



5. All 6 screws are present.

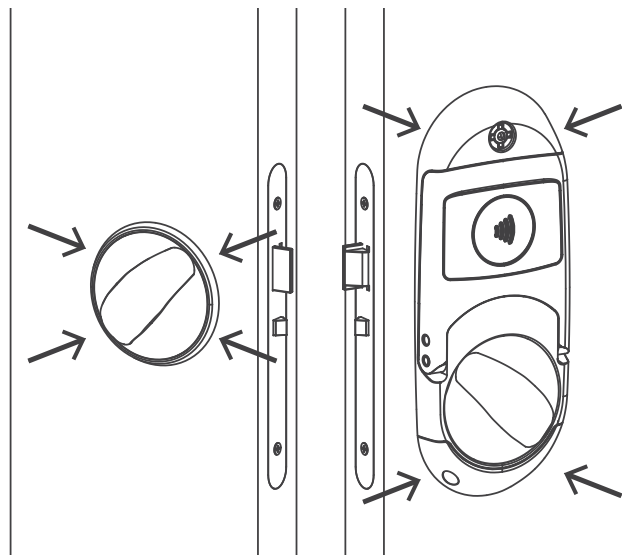


6. Ensure the battery tray is secure.



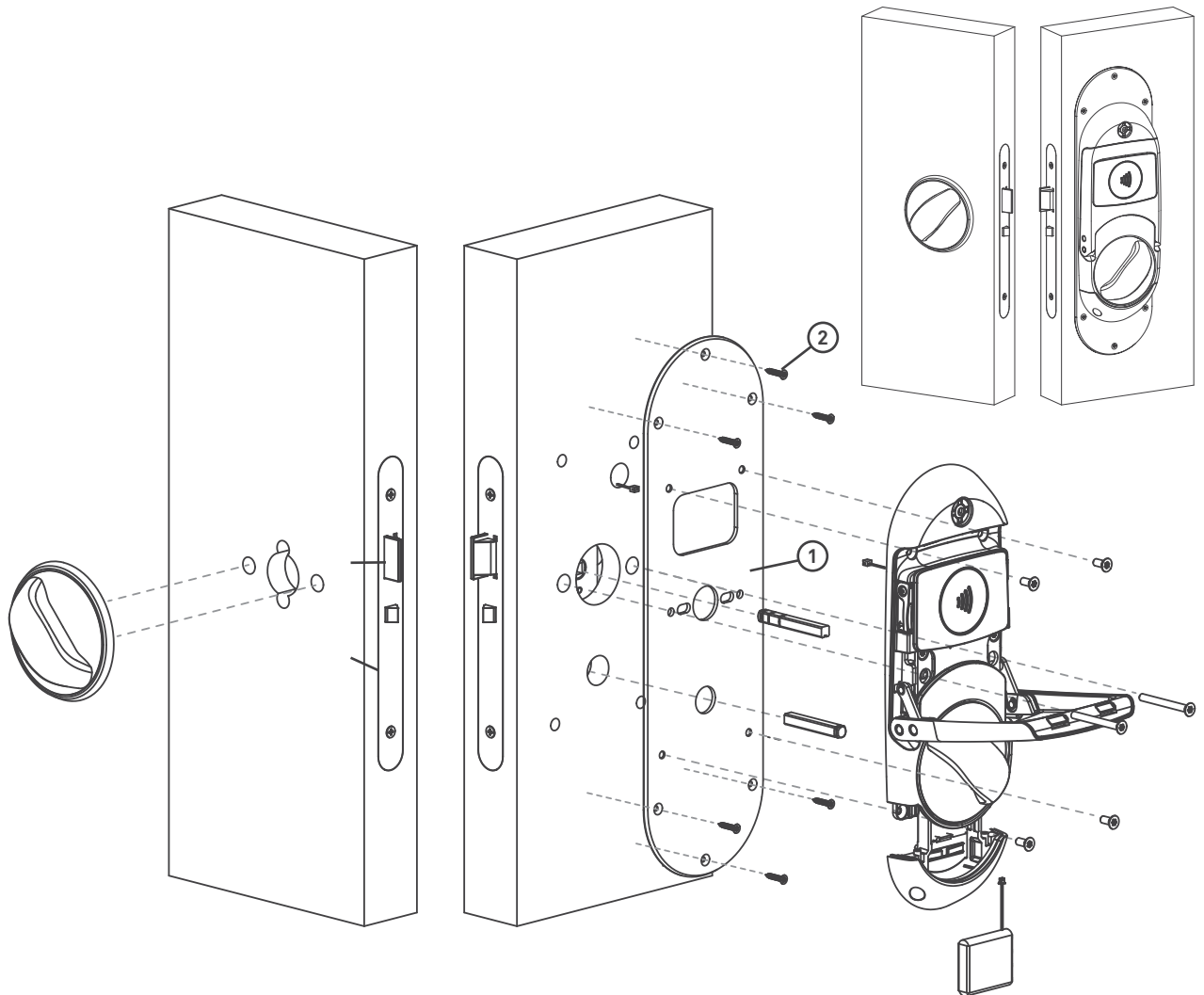
**Note: Do not over tighten, this can impact the rotation of the turn pull.**

7. The perimeter of the product is flush to the door so there are no gaps creating a ligature risk.





**APPENDIX A – INSTALLATION WITH A REPAIR PLATE**

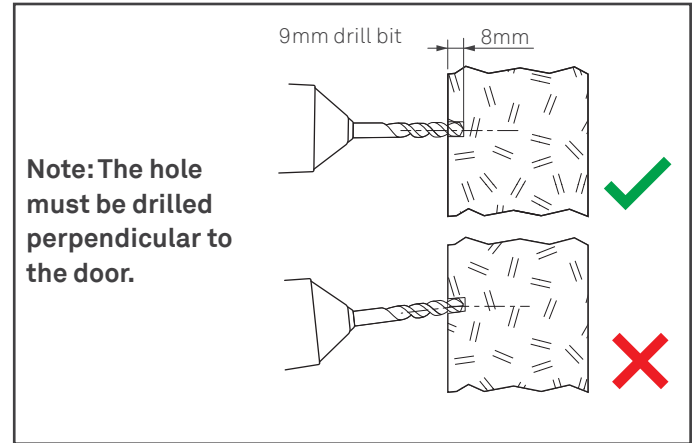
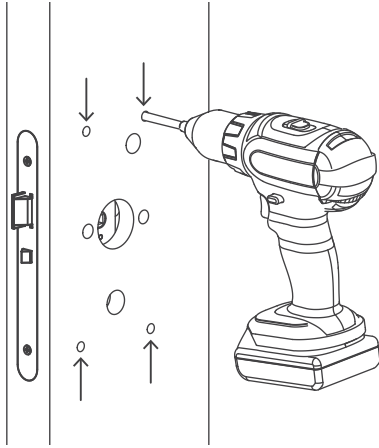


Item No.	Component	Qty.
1	Repair Plate	1
2	Anti-tamper self tapper (No.6 x 19mm)	6

Tools Required
<b>(Additional tools required for installing the repair plate)</b>
9mm drill bit
TX15 Pin Torx drill bit

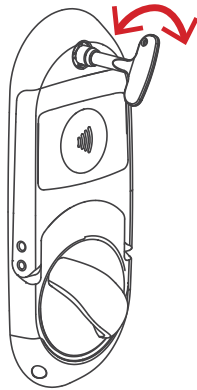
## A 1.0 ENLARGE PILOT HOLES

When using a repair plate, the 4 pilot holes drilled in step 4.0 must be enlarged to 9mm to allow the repair plate's inserts to locate into the door. The holes must be a minimum of 8mm deep.

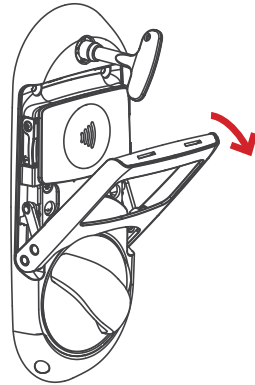


## A 2.0 APPLY REPAIR PLATE

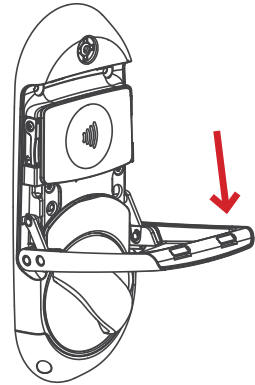
### Deploy the Emergency Lever



1. Use SHP Lifeline key to activate the emergency lever.



2. Once activated, the emergency lever will automatically eject.

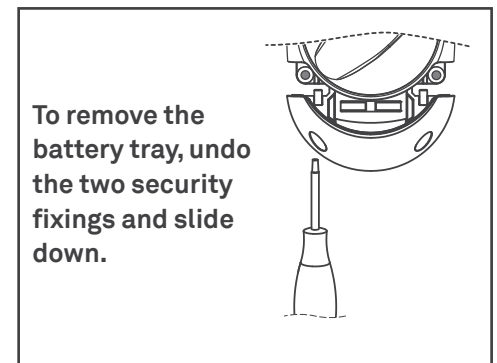
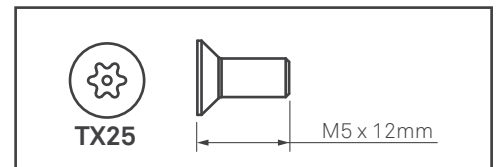
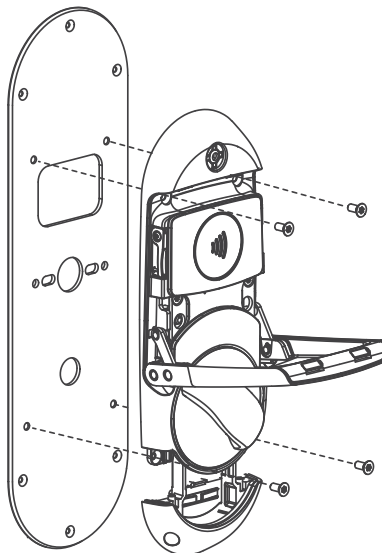


3. Push down on the lever to the horizontal position.

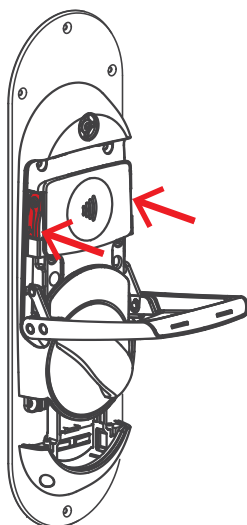
### Secure the repair plate to the Pattress

Locate the repair plate onto the back of the pattress, lining up the four fixing locations. Feed the cable through the opening in the repair plate.

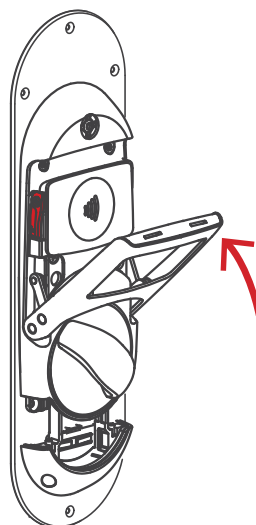
Using the M5 x 12mm machine screws, secure the repair plate to the pattress.



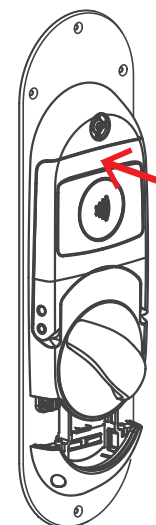
### Return the Emergency Lever



1. Push down both of the red switches to release the ratchet mechanism.



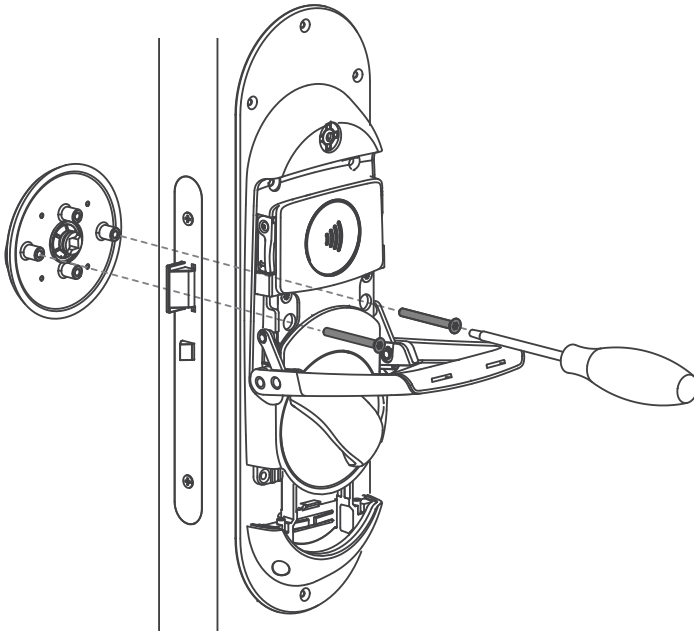
2. Once the ratchet has been released, the emergency lever can be pushed upwards towards the pattress.



3. Firmly press the lever into the pattress to lock it in place.

### A 3.0 FIXING TO THE DOOR

Locate the two security machine screws through the Pattress and secure them into the turn pull on the opposite side of the door. The repair plate will align to the enlarged pilot holes created in step A 1.0. Tighten the screws using a TX25 screw driver. Do not use power tools.



**Note: the length of the fixing will vary between a 54mm and a 44mm door.**



PZ2

**54mm Door**



M5 x 55mm



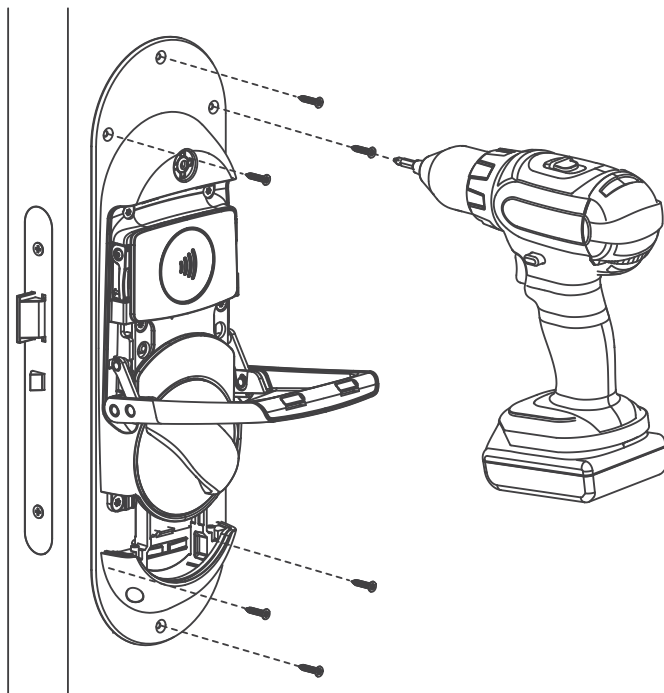
TX25

**44mm Door**



M5 x 45mm

Ensure the pattress is lined up correctly and that both turn pulls are rotating freely. Secure the repair plate in place using the six No.6 x 19mm fixings.



TX15



No.6 x 19mm