

INTEGRATED OVERRIDE LOCKSET ANTI-BARRICADE RELATIONSHIP

Electronic Access Control for Mental Health

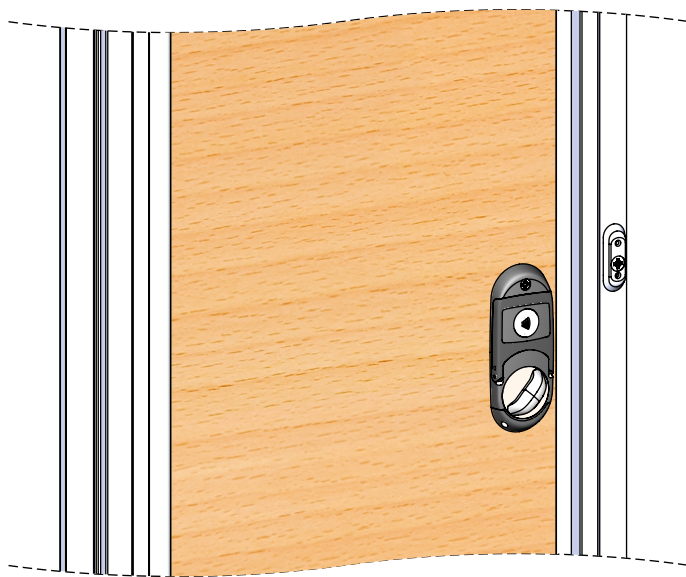
It is essential that all staff members using the Integrated Override Lockset understand its relationship with the installed anti-barricade stop to ensure safe and effective use during an anti-barricade situation. All staff must complete training of the Integrated override lockset and anti-barricade stop.

SWIFTSTOP

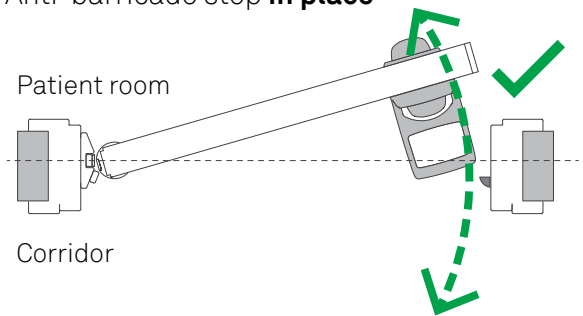
The Integrated Override Lockset has been developed along side the Swiftstop anti-barricade stop making it the most effective combination, allowing access to a room in under 5 seconds.

Due to the small profile of Swiftstop the emergency lever can open into the room when the stop is in place. This allows for quick access if there has been determined tampering or in the rare event of an electronic issue.

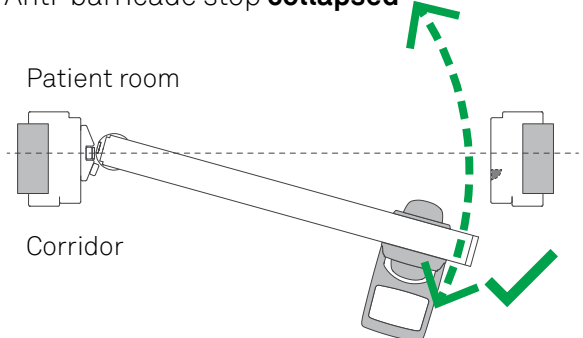
The override can be released before or after Swiftstop has been activated.



Anti-barricade stop **in place**



Anti-barricade stop **collapsed**



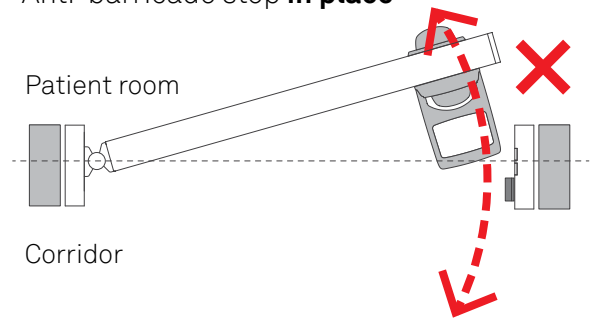
MOVASTOP

The Movastop anti-barricade stop can be removed before or after the emergency lever is deployed. If Movastop is in place when the emergency lever is deployed, the door can not open into the room.

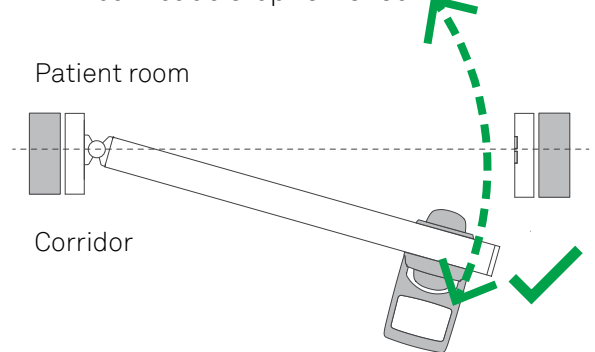
You must remove the anti-barricade stop before using the emergency lever when in a barricade situation.



Anti-barricade stop **in place**



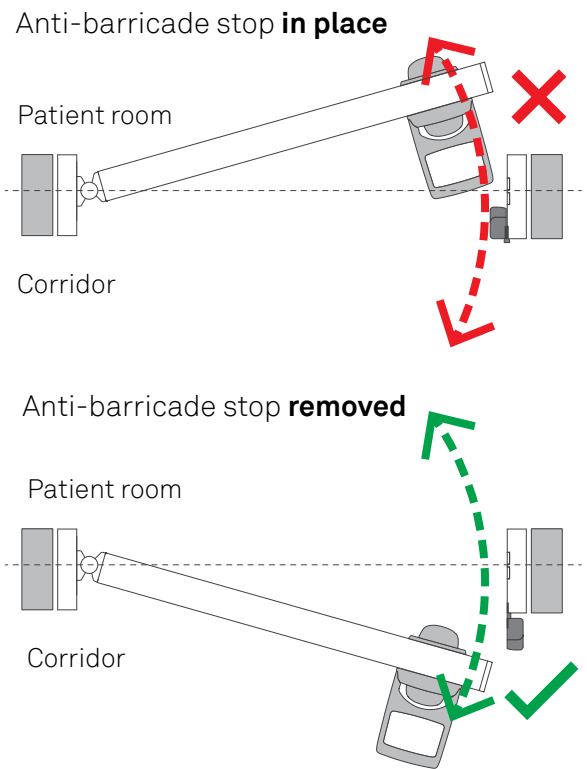
Anti-barricade stop **removed**



HARDWOOD RDS - 25 X 50MM

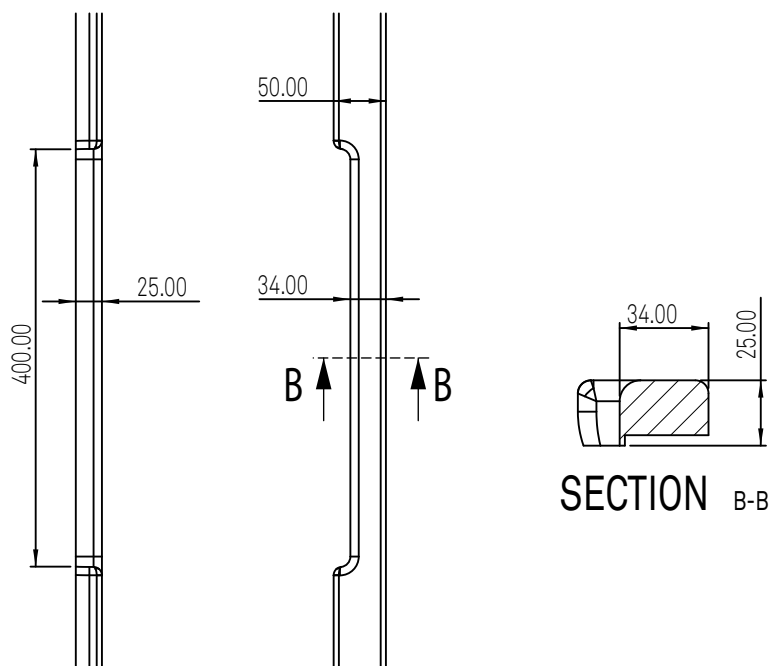
An RDS can not be released once the emergency lever is deployed. The emergency lever must be in the closed position to allow the RDS to open.

You must remove the anti-barricade stop before using the emergency lever when in a barricade situation.



Cut-out Requirement

To fit an Integrated Override Lockset with a 25 x 50mm RDS a cut out feature must be completed. The diagram to the right is the minimum cut-out required for the function of the override.



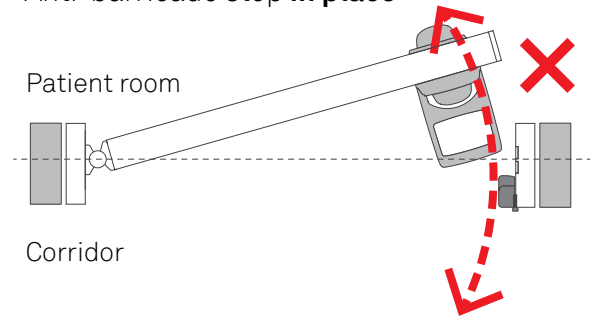
HARDWOOD RDS - 38 X 50MM

An RDS can not be released once the emergency lever is deployed. The emergency lever must be in the closed position to allow the RDS to open.

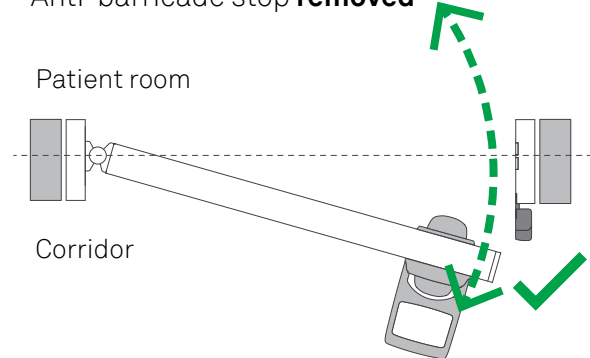
You must remove the anti-barricade stop before using the emergency lever when in a barricade situation.



Anti-barricade stop **in place**



Anti-barricade stop **removed**



Cut-out Requirement

To fit an Integrated Override Lockset with a 38 x 50mm RDS a cut out feature must be completed. The diagram to the right is the minimum cut-out required for the function of the override.

