

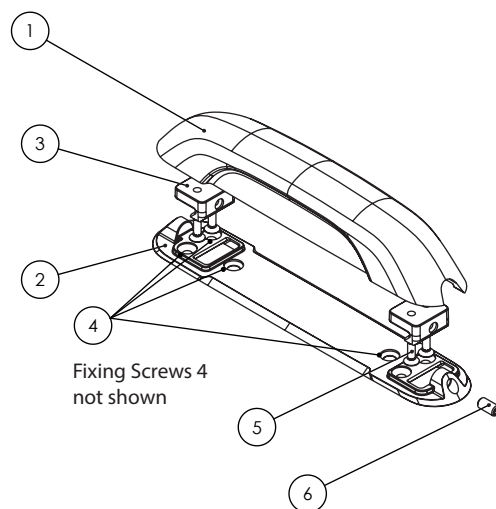
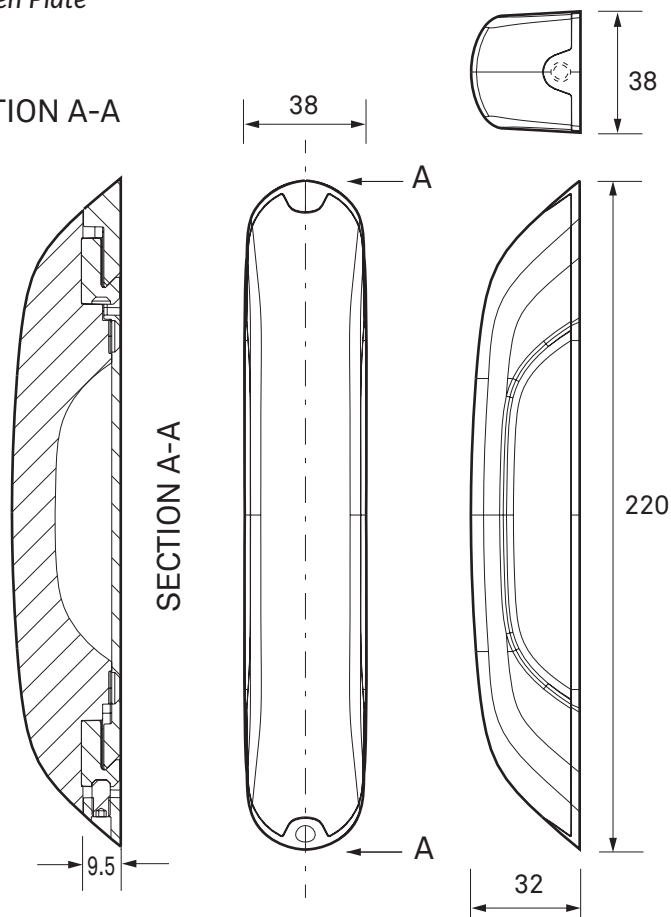
SAFEHINGE[®] PRIMERA LIFESAVING DETAILS

PRODUCT DATA SHEET

PR-4-732H

SUREGRIP HANDLE on Hidden Plate

SECTION A-A



The Handle Item 1 Is Not Handed
Ensure the set screw is always at
the bottom of the assembly.

PARTS LIST

ITEM	QTY	Description	PART NUMBER	PRIMERA CODE
1	1	732 SUREGRIP HANDLE	B310115	
2	1	SUREGRIP HANDLE BASEPLATE	B310116	
3	2	SUREGRIP HANDLE BASEPLATE FIXING BLOCKS	B310117	
4	6	10X1" X 6 LOBE PIN TORX C/S SELF TAPPING		
5	4	M4 X 10 X 4 LOBE PIN TORX C/S SELF TAPPING		
2	1	M6 X12mm SET SCREW		

Material

Handle: Die-cast Mazak 5 handle. Electro-plated SSS Finish.
Backplate: 3mm Chamfered Mild Steel. Electro-plated SSS Finish.
Fixing Blocks: Mild Steel.

Fixings

6 lobe pin-torx anti-tamper stainless steel security screws.

Maintenance

Cleaning: Proprietary baby oil and soft cloth.

Standards

ITEM	PART NUMBER	PRIMERA CODE	DHF T001: 2013
1		PR-4-732H	PASSED A4

Important Note: products are protected by Intellectual Property Rights including UK and Community Unregistered Design Rights, UK and Community Registered Designs and UK Patents and Patent Applications.
For further details please contact Safehinge Primera Limited.

Primera Limited, Unit 8 Bankfield House, 250 Bristol Avenue, Blackpool, FY2 0JF

t 0330 058 0988

e info@safehingeprimera.com w www.safehingeprimera.com

SOPxxx Revision (1)