

FULL-DOOR LIGATURE ALARM PRODUCT DATA SHEET

Detecting ligature attempts across the entire door.

PRODUCT OUTLINE

The Full-door Ligature Alarm has been developed specifically for Mental Health inpatient environments to alert staff of ligature attempts made across the entire bedroom door.

Integrating seamlessly into Safehinge Primera (SHP) bedroom doorsets, the alarm turns the door into a large 'weighing scale' sensing vertical weight changes - addressing the limitations of existing door top alarms.

The current intermittent observation of service users leaves blind spots of, for example, 14 minutes and 50 seconds every 15 minutes - this accumulates to 23hrs 44mins per day of 'blind spots'. The Full-door Ligature Alarm is designed as a supplementary aid to help reduce risk in these 'blind spots' and is not a replacement for good clinical risk assessment and management practices.

The Door Alarm intelligently filters out most false alarms by differentiating between everyday behaviours (such as locking the door) and ligature attempts. With active fault detection, staff are instantly alerted if the system detects a fault condition.

The Door Alarm is connected directly into an existing staff alarm system by an approved installer. Throughout its life, the Door Alarm will require regular simple



health checks by the building occupants to ensure that it is performing consistently. Details or the simple test procedure are available on request. In addition, we strongly recommend entering a Service Level Agreement (SLA) with SHP that will provide regular in-depth maintenance checks and ongoing support for this lifesaving product.

KEY FEATURES

Discreet - only the cover plate is visible to the service user, reducing ligature learning

Active fault detection - the system continuously monitors itself to detect fault conditions, it can then instantly alert ward staff to any problems

Connects to existing Staff Alarm - ligature alarms are sounded and displayed by and responded to via the Staff Alarm system providing continuity for ward staff

Filters false alarms - the algorithm has been developed to detect ligature events whilst minimising false alarms

Wireless Transmitter module - the transmitter unit is wireless, reducing time and disruption required to install

Remote Support and Data Logging - non personally identifiable information data is collected to aid in the maintenance of the Door Alarm. Enabling both remote support capability and the ability to review historical data

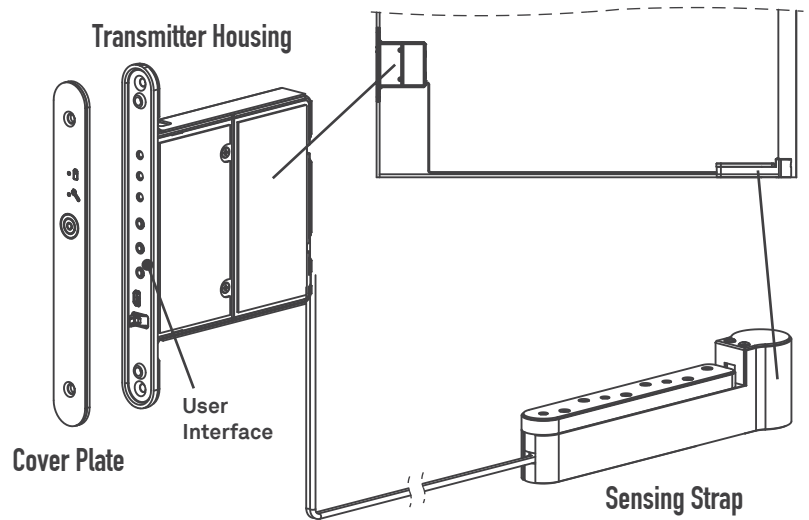
Disclaimer

The Full-door Ligature Alarm is designed to provide extra monitoring of the doors it is installed on - it helps monitor the door for certain types of load in the periods between intermittent observation. It is not a substitute for normal supervisory procedures in relation to people at risk nor is its presence a guarantee that self-harm events cannot take place. It is the customer's responsibility to fully assess the suitability of the product for the environment in which it is installed and ensure it is used as one of a range of measures to improve the safety of people deemed to be at risk. The product has a scope of performance as outlined below and, if it is not maintained, actual performance can differ. It is the customer's responsibility to understand and regularly test the door alarm function and then put the necessary procedures in place commensurate with the risk to complement the door alarm coverage.

PRODUCT DIAGRAM – DOOR ALARM

The Door Alarm has two main components, the Transmitter and the Sensing Strap, connected by a cable running within the bottom of the door leaf. The PCB within the Transmitter communicates wireless to the Receivers.

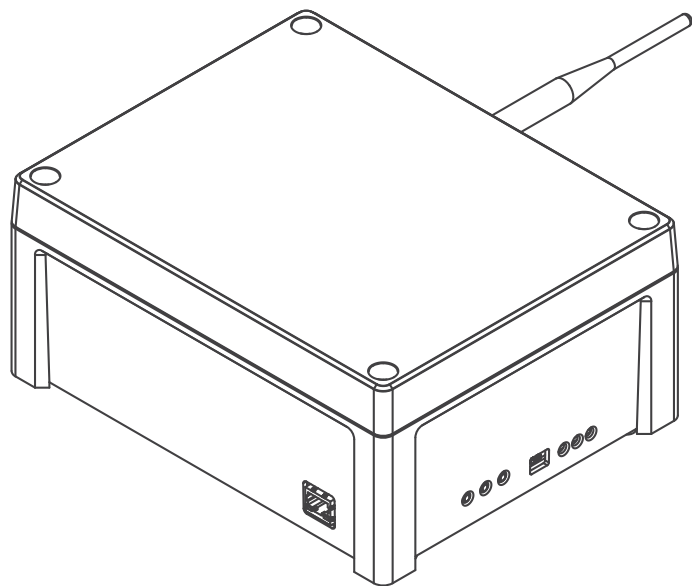
The Door Alarm will be pre-installed into a SHP doorset. The doorset must be installed and maintained by accredited SHP installers and the performance of the Door Alarm must be signed off by the ward manager (or person of similar seniority) during final commissioning.



PRODUCT DIAGRAM – DOOR ALARM RECEIVER

The Door Alarm Receiver wirelessly communicates to the Door Alarms, providing a connection point for signal output to the staff alarm.

Door Alarm Receivers should be installed in non-patient areas, typically roof spaces or riser cupboards.

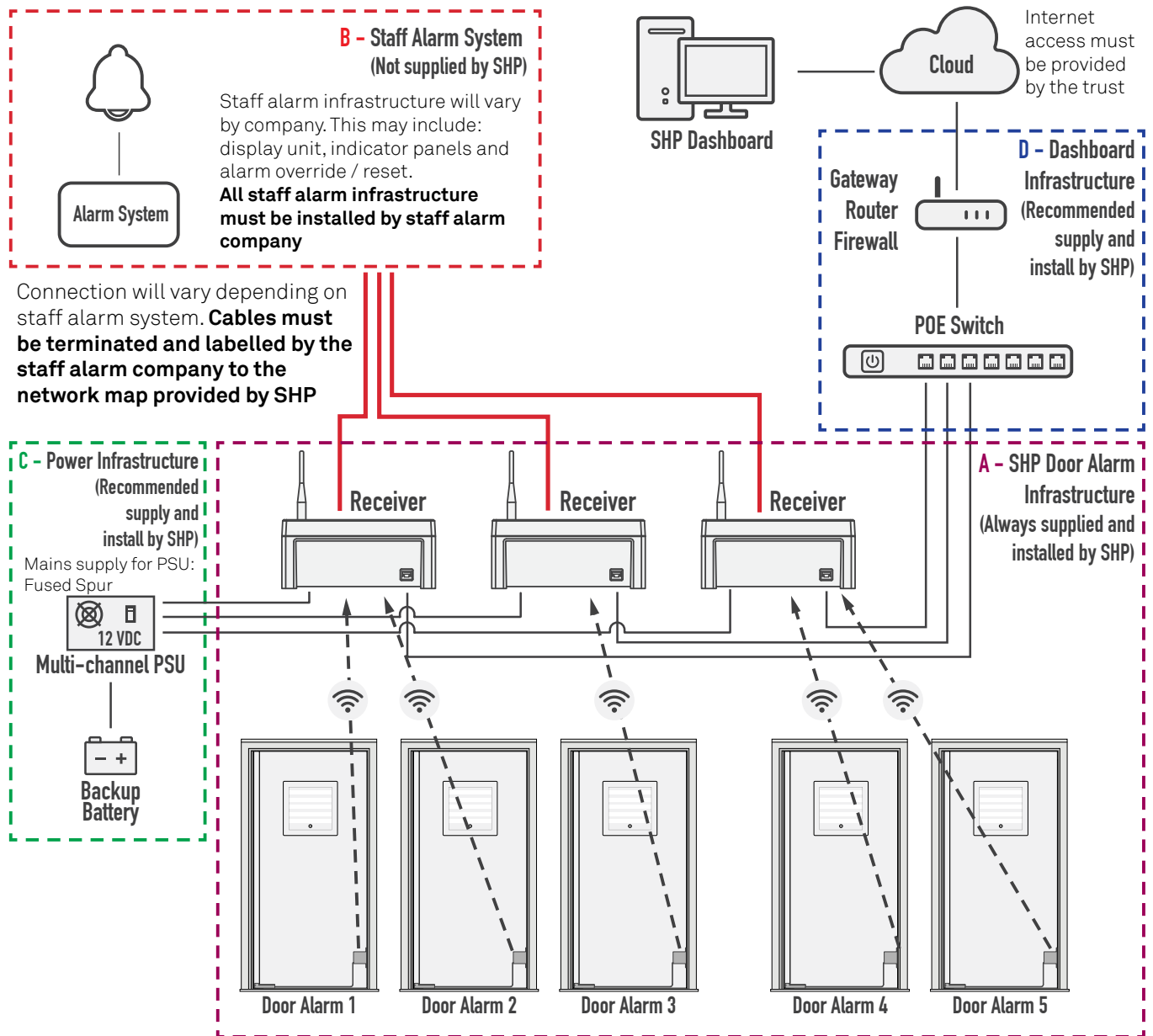


Safehinge Primera Service Level Agreement (SLA)

SHP can provide a SLA program to aid in the maintenance of the Door Alarm. The SLA maintenance programme is highly recommended as an additional service.

Please contact Safehinge Primera for details: info@safehingeprimera.com or 0330 058 0988.

SYSTEM LAYOUT



Alarm Connection

The Full-door Ligature Alarm system connects directly into existing staff alarms. The Safehinge Primera Receiver physically wires in to the existing alarm system and wirelessly communicates with the Door Alarm installed within the door.

Each Receiver can connect to up to eight doors. The location of each Receiver must be surveyed in advance of installation to ensure a reliable connection to each Door Alarm.

Data Logging

Non-personally identifiable data is collected from each Door Alarm to assist in the maintenance of the system, this includes: door opening and closing events, ligature alarms, and maintenance alerts.

A reliable, wired, internet connection is required.

Cloud computing has been deemed a safe solution to store non-personal and confidential patient data. In line with UK government 'cloud first' policy, all data is hosted within the European Economic area.

TECHNICAL SPECIFICATIONS - TRANSMITTER

Power Input: 9V Alkaline battery pack

Battery Life: 6 - 12 Months (depending on use)

Radio Frequency: 868MHz / 433 MHz (EU/US)

Radio Range: 15 m (depending on building fabrication)

Load Sensitivity: < 10 Kg

Certification: CE & FCC

Fire Rating: up to FD30

Mechanical Performance: Suitable for Medium Secure Mental Health Wards

TECHNICAL SPECIFICATIONS - RECEIVER

Power Input: 9-36V DC (12 V 1A nominal)

Radio Frequency: 868MHz / 433 MHz (EU/US)

Radio Range: 15 m (depending on building fabrication)

I/O Ports: 16 No. dry (Volt Free) relay inputs (NO/NC Configurable)

1No. Ethernet Port

Certification: CE & FCC

t 0330 058 0988

e info@safehingeprimera.com

w www.safehingeprimera.com

Blackpool Office

Unit 8 Bankfield House

250 Bristol Avenue

Blackpool

FY2 0JF

Glasgow office

44 Spiers Wharf

Glasgow

G4 9TH