

EN-SUITE DOOR

TECHNICAL DATA SHEET

Load release door designed for mental health environments



SAFEHINGE PRIMERA[®]
LIFESAVING DETAILS

CONTENTS

En-suite Door Product Range.....	3
En-suite Protect	4
Product Outline.....	4
Product Scope	5
Product Diagram.....	5
Frame Opening	7
Door Frame Check.....	8
En-suite Protect Plus.....	9
Product Outline.....	9
Product Scope	10
Product Diagram.....	10
Frame Opening	12
Door Frame Check.....	13

EN-SUITE DOOR PRODUCT RANGE



EN-SUITE PROTECT



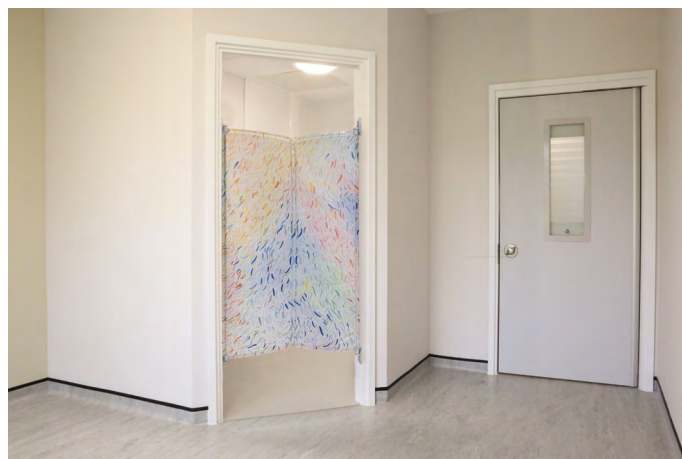
EN-SUITE PROTECT PLUS

EN-SUITE PROTECT

PRODUCT OUTLINE

Providing privacy and dignity without compromising on safety, the load release En-suite door solves the biggest unsupervised risk in mental health.

With the soft, lightweight leaves detaching if a weight of less than 10kg is applied, the door maintains patients' sense of self worth whilst still allowing staff to carry out head and feet observations.



KEY FEATURES

Load release - Doors detach when a weight of less than 10kg is applied to the door - eliminating ligature points created by the meeting of two hard surfaces.

Secure Magnets - Magnets are securely located in the wall mounts removing the risk of ingestion.

Two leaves - The saloon-style door reduces the size of the leaves limiting the ability to use it as a ram or a shield to hide behind.

No stitching - The bonded assembly of antimicrobial fabric allows for the leaves to be easily wiped clean using recommended chlorine-based cleaning products.

Auto-locating leaves - Using a patented magnet array, the leaves can be easily reattached to the wall mounts.

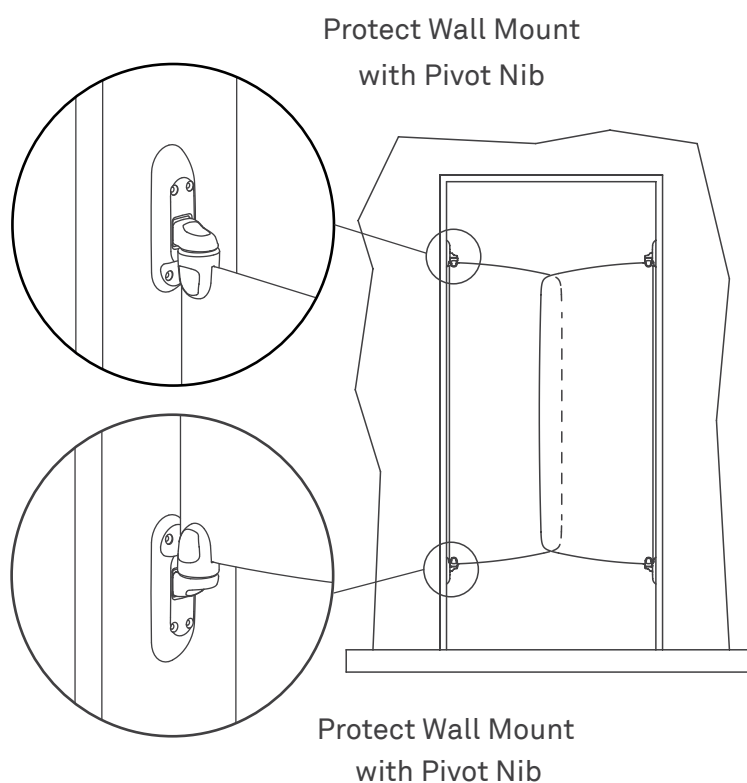
Privacy screen - The two leaves create a screen for patients whilst using the En-suite which still allows for head and feet observations.

Leaf design options - Choose from a range of leaf design options including two original artworks from arts & mental health charity Hospital Rooms.

PRODUCT SCOPE

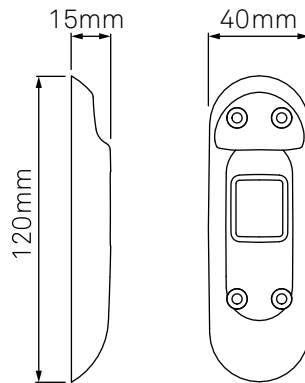
- The En-suite Door is a load release, saloon style door designed for mental health environments.
- Door leaves have been tested the following standards:
 - ASTM E84 - Standard Test Method for Surface Burning Characteristics of Building Materials
 - BS EN 1021-1:2006 smouldering cigarette
 - BS EN 1021-2: 2006 match flame equivalent
 - BS 5852: 1982 Part 2
 - BS 7176:2007+A1:2011 Low Hazard
 - BS EN 597-1-1995 smouldering cigarette
 - BS EN 597-2: 1995 match flame equivalent
- Mechanical Performance - Safehinge Primera products have been rigorously tested to ensure they are suitable for mental health environments. For more details on the mechanical performance visit www.safehingeprimera.com/resources or contact Safehinge Primera at info@safehingeprimera.com or 0330 058 0988.
- Ligature Performance - The door leaves will release at a load of less than 10kg when a force is applied directly to the leaves in the horizontal and vertical direction. It is essential that the product has been installed and maintained as stated in the installation instructions and O&M manual to ensure the ligature performance is met for the lifetime of the product.
- Please be aware that the En-suite Wall Mount and Pivot contains strong magnets. These are securely fixed to the opening and have been thoroughly tested with patient safety in mind to ensure the magnets cannot be accessed once installed. Before installation, it is critical that anyone handling the product is aware of the magnet safety information - SHP document HSN003.

PRODUCT DIAGRAM

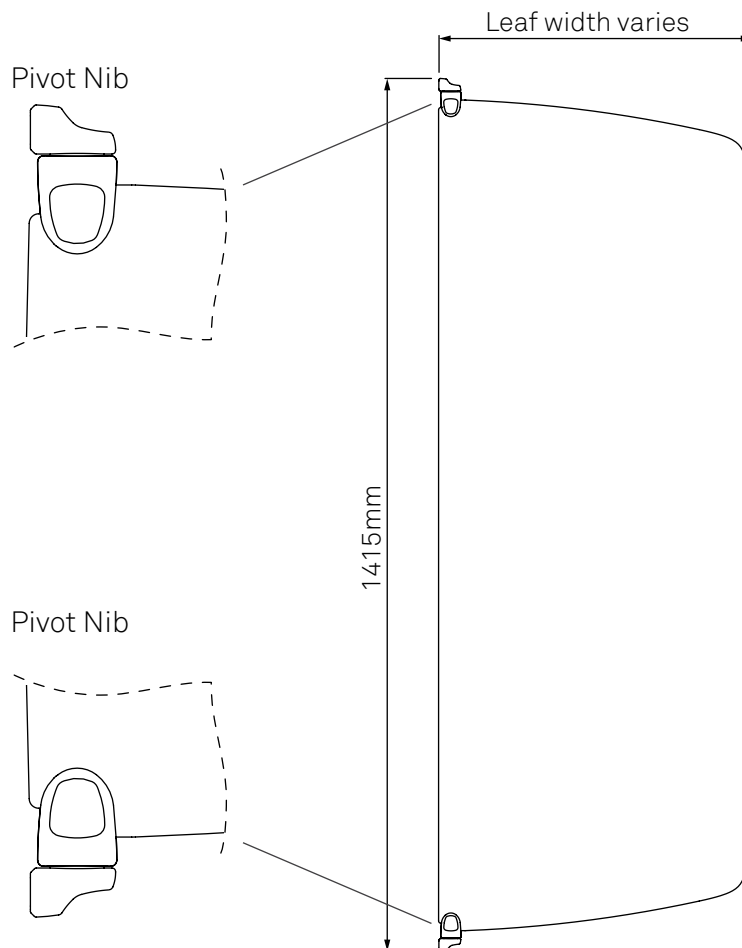


PRODUCT DIAGRAM

Protect Wall Mount



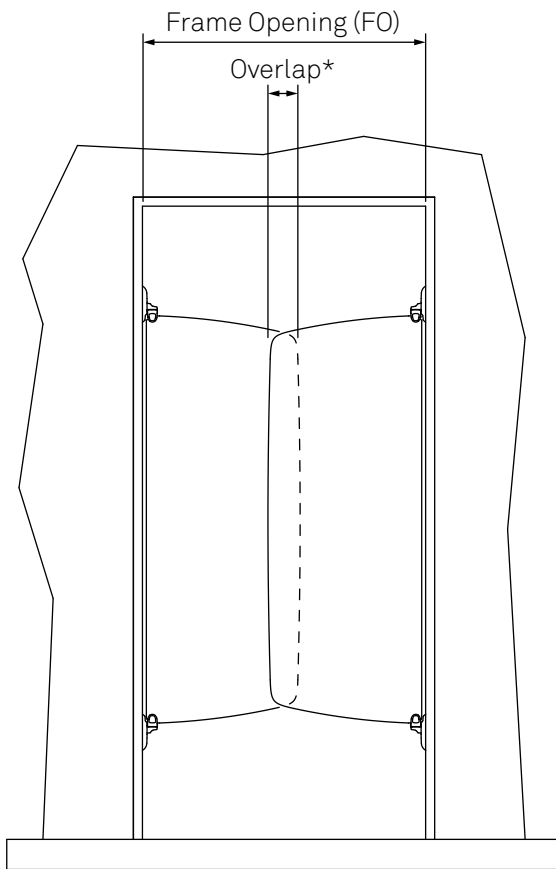
En-suite Leaf



See PCD006 -
'En-suite Coding
Document' for leaf
graphics options.

Leaf Size	Narrow	Medium	Wide	Extra Wide
Width Dimension	375mm	440mm	510mm	570mm
Leaf Weight	1.1kg	1.2kg	1.3kg	1.4kg
Pivot Nib Weight	38g	38g	38g	38g

FRAME OPENING



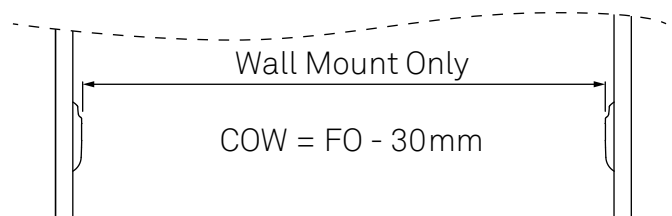
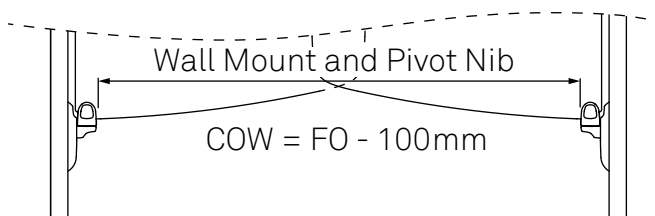
Leaf Size	Min FO	Max FO
Narrow	600mm	740mm
Medium	741mm	870mm
Wide	871mm	1000mm
Extra Wide	1001mm	1118mm

* Overlap will range from 20mm at 'Max FO' to 150mm at 'Min FO'.

We do not recommend an overlap outside of this range.

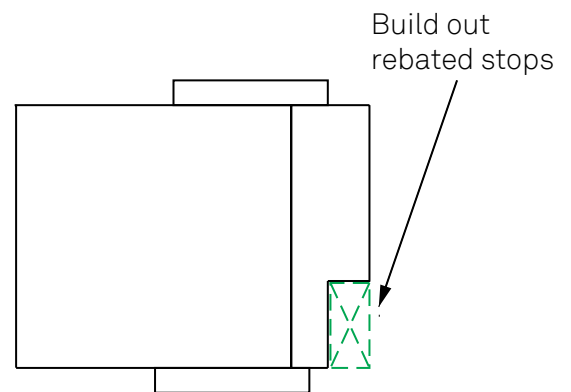
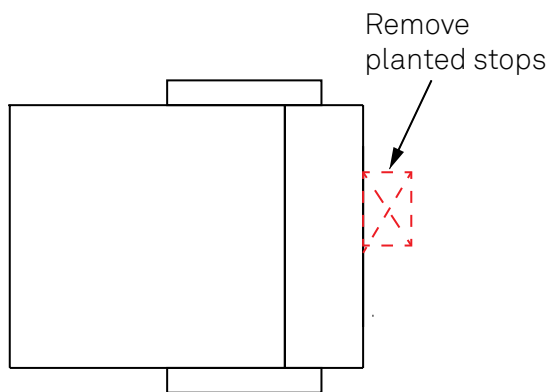
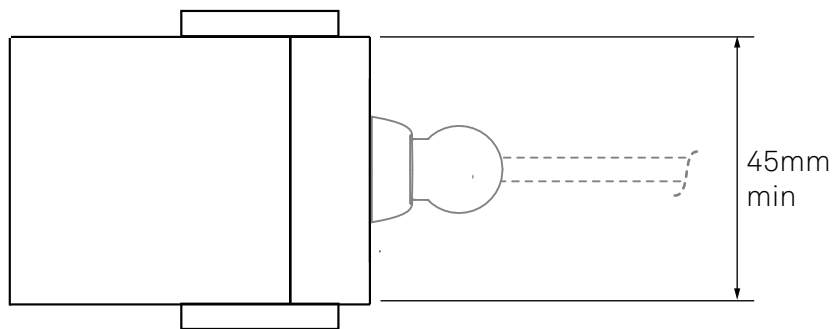
CLEAR OPENING WIDTH

The Clear Opening Width (COW) is calculated by the Frame Opening (FO) - Pivot/Wall Mount Depth.



DOOR FRAME CHECK

The Pivot and Wall Mount can be fitted directly to a door frame which has a minimum width of 70mm. The frame surface must be flat to avoid any gaps between frame and pivot.



EN-SUITE PROTECT PLUS

PRODUCT OUTLINE

Providing privacy and dignity without compromising on safety, the load release En-suite door solves the biggest unsupervised risk in mental health.

With the soft, lightweight leaves detaching if a weight of less than 5kg is applied, the door maintains patients' sense of self worth whilst still allowing staff to carry out head and feet observations.



KEY FEATURES

Load release - Doors detach when a weight of less than 5kg is applied to the door - eliminating ligature points created by the meeting of two hard surfaces.

Secure Magnets - Magnets are securely located in the wall mounts removing the risk of ingestion.

Two leaves - The saloon-style door reduces the size of the leaves limiting the ability to use it as a ram or a shield to hide behind.

No stitching - The bonded assembly of antimicrobial fabric allows for the leaves to be easily wiped clean using recommended chlorine-based cleaning products.

Auto-locating leaves - Using a patented magnet array, the leaves can be easily reattached to the wall mounts.

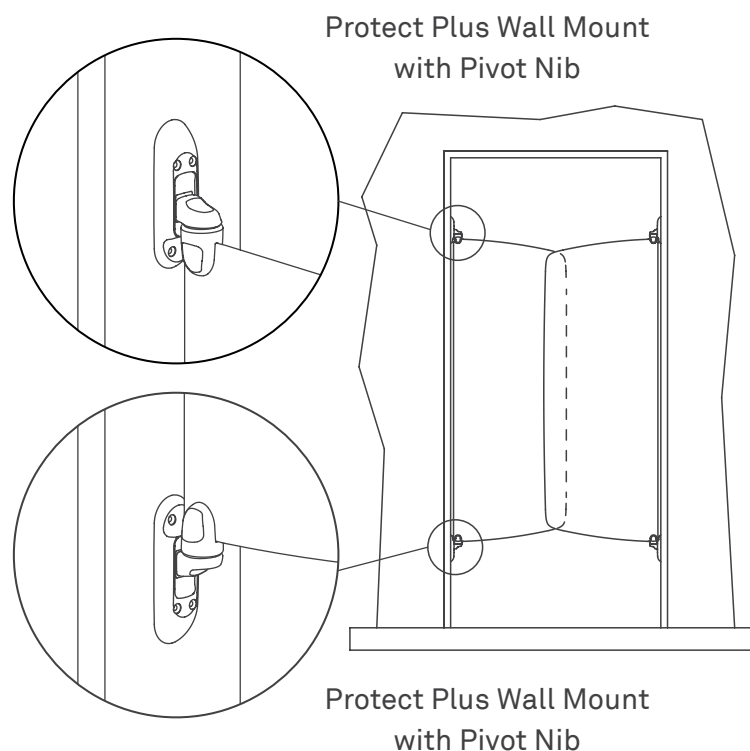
Privacy screen - The two leaves create a screen for patients whilst using the En-suite which still allows for head and feet observations.

Leaf design options - Choose from a range of leaf design options including two original artworks from arts & mental health charity Hospital Rooms.

PRODUCT SCOPE

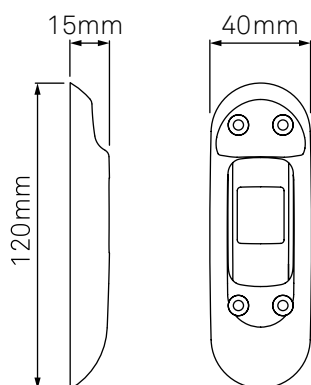
- The En-suite Door is a load release, saloon style door designed for mental health environments.
- Door leaves have been tested the following standards:
 - ASTM E84 - Standard Test Method for Surface Burning Characteristics of Building Materials
 - BS EN 1021-1:2006 smouldering cigarette
 - BS EN 1021-2: 2006 match flame equivalent
 - BS 5852: 1982 Part 2
 - BS 7176:2007+A1:2011 Low Hazard
 - BS EN 597-1-1995 smouldering cigarette
 - BS EN 597-2: 1995 match flame equivalent
- Mechanical Performance - Safehinge Primera products have been rigorously tested to ensure they are suitable for mental health environments. For more details on the mechanical performance visit www.safehingeprimera.com/resources or contact Safehinge Primera at info@safehingeprimera.com or 0330 058 0988.
- Ligature Performance - The door leaves will release at a load of less than 5kg when a force is applied directly to the leaves in the horizontal and vertical direction. It is essential that the product has been installed and maintained as stated in the installation instructions and O&M manual to ensure the ligature performance is met for the lifetime of the product.
- Please be aware that the En-suite Wall Mount and Pivot contains strong magnets. These are securely fixed to the opening and have been thoroughly tested with patient safety in mind to ensure the magnets cannot be accessed once installed. Before installation, it is critical that anyone handling the product is aware of the magnet safety information - SHP document HSN003.

PRODUCT DIAGRAM

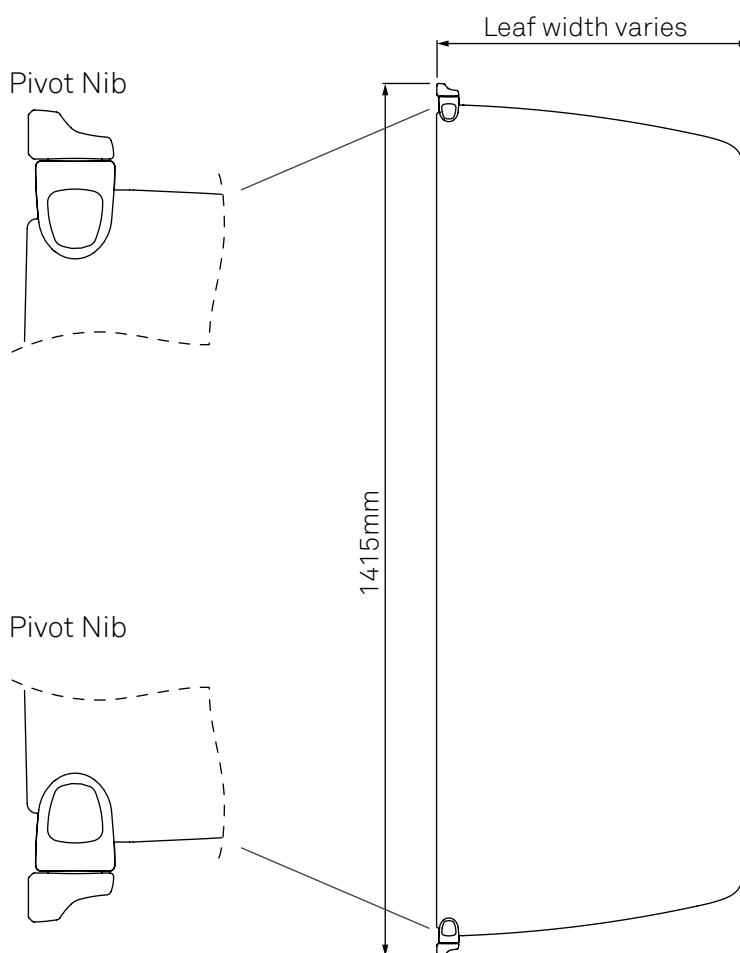


PRODUCT DIAGRAM

Protect Plus Wall Mount



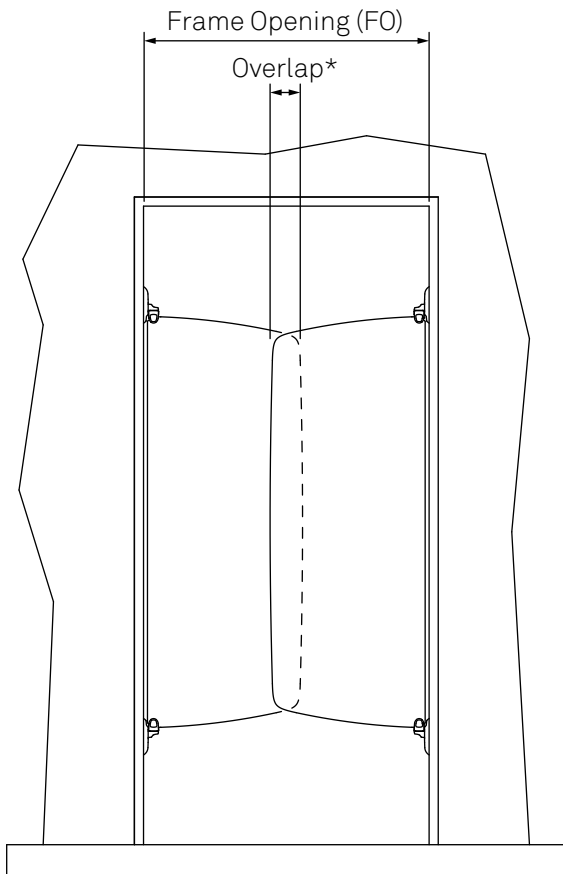
En-suite Leaf



See PCD006 -
'En-suite Coding
Document' for leaf
graphics options.

Leaf Size	Narrow	Medium	Wide	Extra Wide
Width Dimension	375mm	440mm	510mm	570mm
Leaf Weight	1.1kg	1.2kg	1.3kg	1.4kg
Pivot Nib Weight	38g	38g	38g	38g

FRAME OPENING



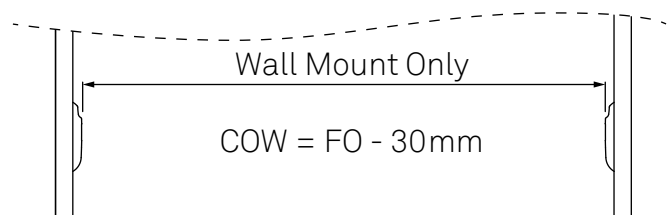
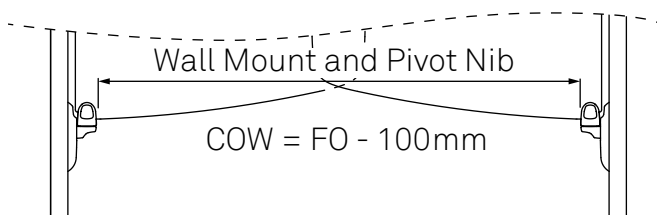
Leaf Size	Min FO	Max FO
Narrow	600mm	740mm
Medium	741mm	870mm
Wide	871mm	1000mm
Extra Wide	1001mm	1118mm

* Overlap will range from 20mm at 'Max FO' to 150mm at 'Min FO'.

We do not recommend an overlap outside of this range.

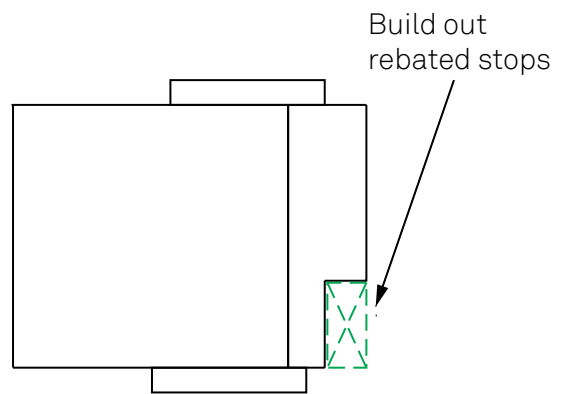
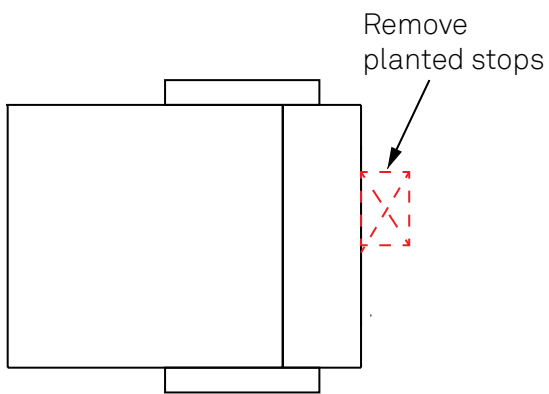
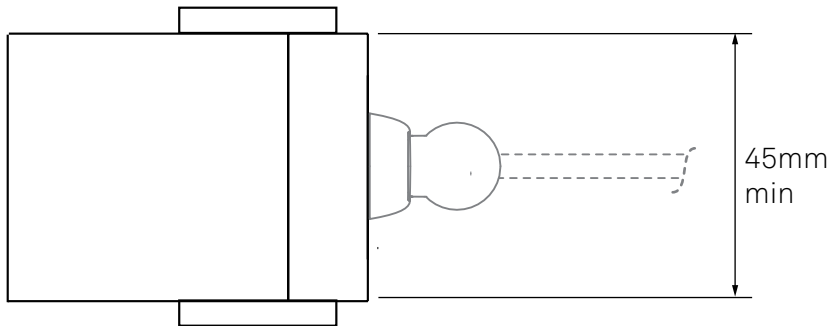
CLEAR OPENING WIDTH

The Clear Opening Width (COW) is calculated by the Frame Opening (FO) - Pivot/Wall Mount Depth.



DOOR FRAME CHECK

The Wall Mount can be fitted directly to a door frame which has a minimum width of 45mm. The frame surface must be flat to avoid any gaps between frame and mount.



t 0330 058 0988

e info@safehingeprimera.com

w www.safehingeprimera.com

Blackpool Office

Unit 8 Bankfield House

250 Bristol Avenue

Blackpool

FY2 0JF

Glasgow Office

Safehinge Primera

44 Speirs Wharf

Glasgow

G4 9TH