

BATHROOM DOOR

TECHNICAL DATA SHEET

Load-release door designed for behavioral health environments



SAFEHINGE PRIMERA[®]
LIFESAVING DETAILS

CONTENTS

Bathroom Door Product Range.....	3
Ligature-resistant Bathroom Door (<11lbs load release)	4
Product Outline.....	4
Product Scope	5
Product Diagram.....	5
Frame Opening	7
Door Frame Check.....	8
Ligature-resistant Bathroom Door (<20lbs load release)	9
Product Outline.....	9
Product Scope	10
Product Diagram.....	10
Frame Opening	12
Door Frame Check.....	13

BATHROOM DOOR PRODUCT RANGE



LIGATURE-RESISTANT BATHROOM DOOR (<11LBS LOAD RELEASE)



LIGATURE-RESISTANT BATHROOM DOOR (<20LBS LOAD RELEASE)

LIGATURE-RESISTANT BATHROOM DOOR (<11LBS LOAD RELEASE)

PRODUCT OUTLINE

Providing privacy and dignity without compromising on safety, the load release bathroom door solves the biggest unsupervised risk in behavioral health.

With the soft, lightweight leaves detaching if a weight of less than 11lbs is applied, the door maintains patients' sense of self worth whilst still allowing staff to carry out head and feet observations.



KEY FEATURES

Load release - Doors detach when a weight of less than 11lbs is applied to the door - eliminating ligature points created by the meeting of two hard surfaces.

Two leaves - By having two leaves which are available in narrow, medium, wide and extra wide widths, this is an off-the-shelf product that does not require made-to-order sizing and specification like others on the market.

Self-locating magnets - Allow for easy leaf reattachment in the case of an incident and remove the need to bend down to reattach the bottom pivot. Magnets are securely housed in robust wall mounts.

Improved pivots - The 34% lighter pivots increase the ligature resistance performance of the bathroom door and further reduce the risk of weaponization.

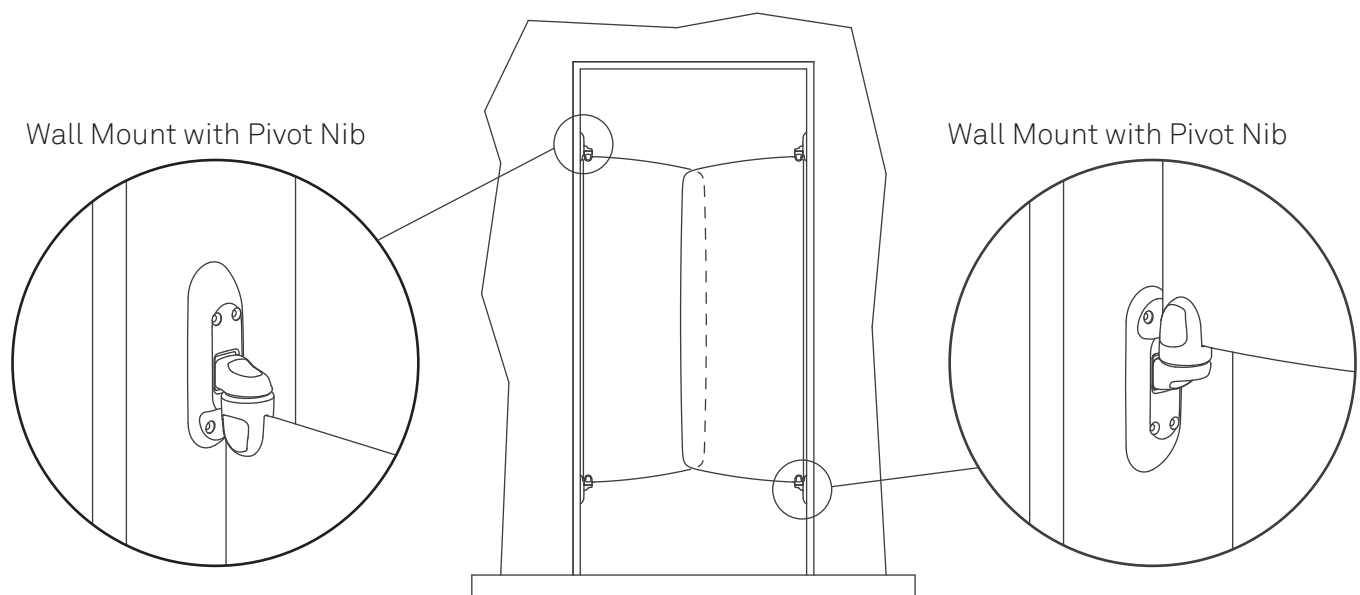
Privacy screen - The two leaves create a screen for patients whilst using the bathroom which still allow for head and feet observations.

Leaf design options - Choose from a range of leaf design options including two original artworks from arts & behavioral health charity Hospital Rooms.

PRODUCT SCOPE

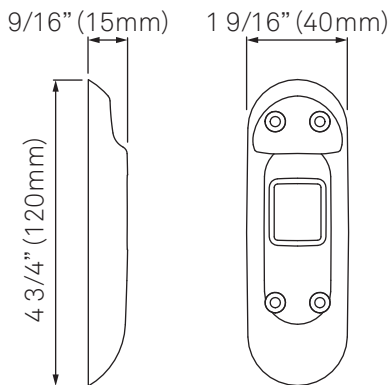
- The Bathroom Door is a load release, saloon style door designed for behavioral health environments.
- Door leaves have been tested the following standards:
 - ASTM E84 - Standard Test Method for Surface Burning Characteristics of Building Materials
 - BS EN 1021-1:2006 smouldering cigarette
 - BS EN 1021-2: 2006 match flame equivalent
 - BS 5852: 1982 Part 2
 - BS 7176:2007+A1:2011 Low Hazard
 - BS EN 597-1-1995 smouldering cigarette
 - BS EN 597-2: 1995 match flame equivalent
- Mechanical Performance - Safehinge Primera products have been rigorously tested to ensure they are suitable for behavioral health environments. For more details on the mechanical performance visit www.safehingeprimera.com/resources or contact Safehinge Primera at inquiries@safehingeprimera.com or +1 617. 898. 0700.
- Ligature Performance - The door leaves will release at a load of <11lbs. It is essential that the product has been installed and maintained as stated in the installation instructions and O&M manual to ensure the ligature performance is met for the lifetime of the product.
- Please be aware that the Bathroom Wall Mount and Pivot contains strong magnets. These are securely fixed to the opening and have been thoroughly tested with patient safety in mind to ensure the magnets cannot be accessed once installed. Before installation, it is critical that anyone handling the product is aware of the magnet safety information - SHP document HSN003.

PRODUCT DIAGRAM

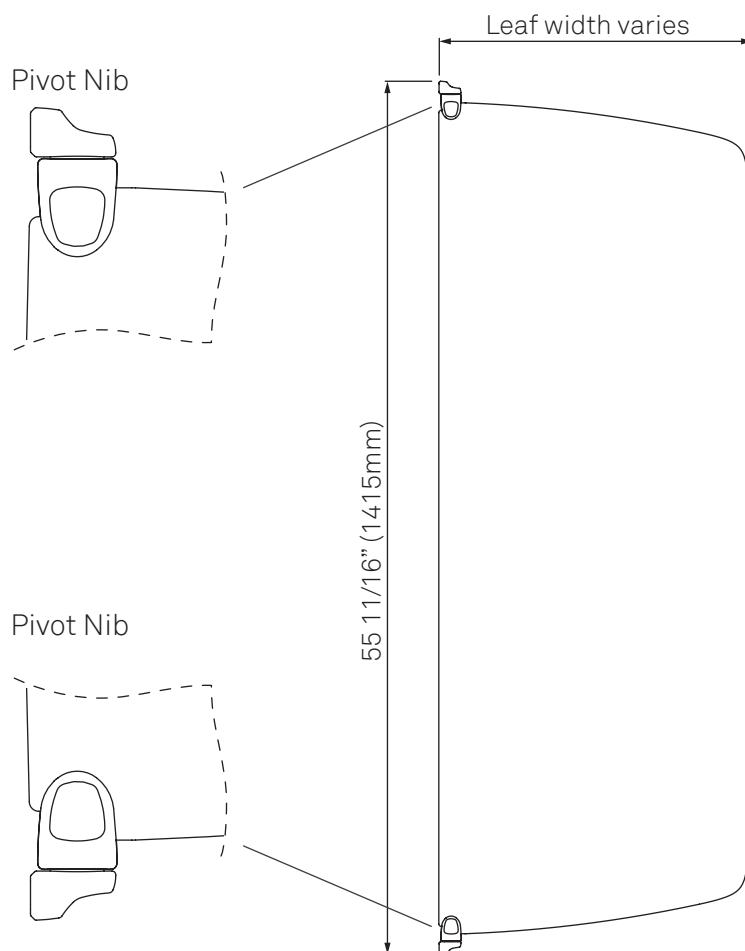


PRODUCT DIAGRAM

Wall Mount



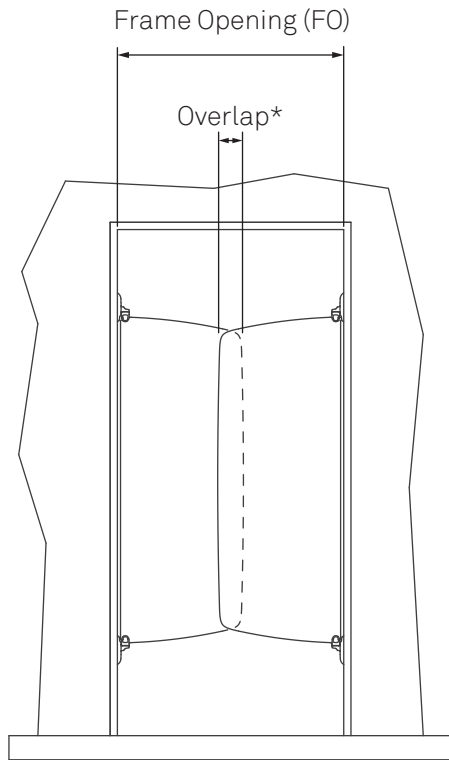
Bathroom Door Leaf



See PCD007 -
'En-suite Coding
Document' for leaf
graphics options.

Leaf Size	Narrow	Medium	Wide	Extra Wide
Width Dimension	14 3/4" (375mm)	17 5/16" (440mm)	20 1/16" (510mm)	22 7/16" (570mm)
Leaf Weight	2.4lbs (1.1kg)	2.6lbs (1.2kg)	2.9lbs (1.3kg)	3.1lbs (1.4kg)
Pivot Nib Weight	1.3oz (38g)	1.3oz (38g)	1.3oz (38g)	1.3oz (38g)

FRAME OPENING



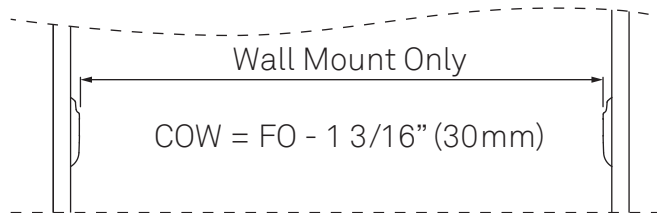
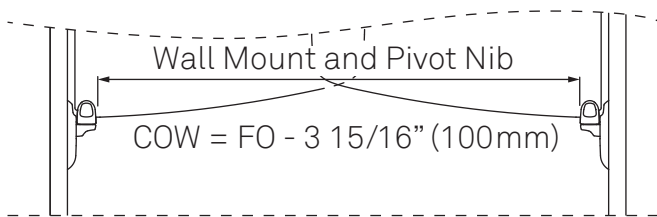
Leaf Size	Min FO	Max FO
Narrow	23 5/8" (600mm)	29 1/8" (740mm)
Medium	29 3/16" (741mm)	34 1/4" (870mm)
Wide	34 5/16" (871mm)	39 3/8" (1000mm)
Extra Wide	39 7/16" (1001mm)	44" (1118mm)

* Overlap will range from 13/16" (20mm) at 'Max FO' to 5 7/8" (150mm) at 'Min FO'.

We do not recommend an overlap outside of this range.

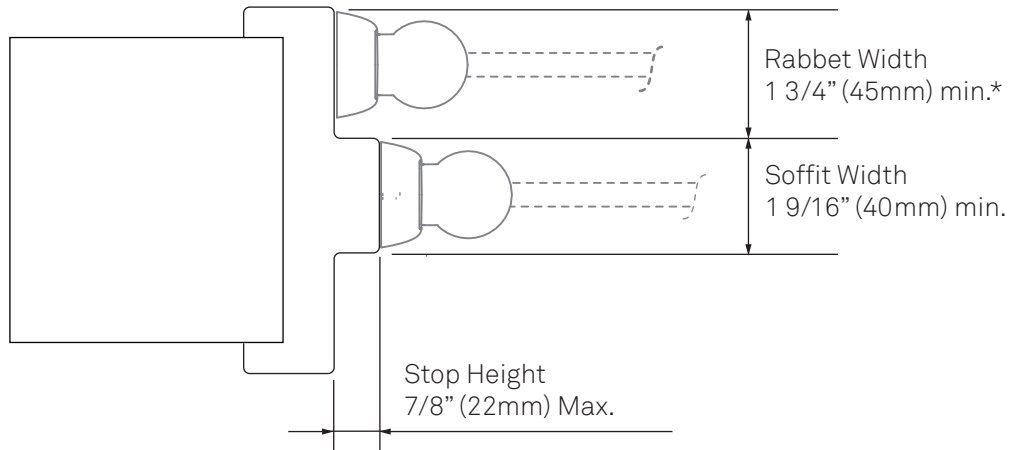
CLEAR OPENING WIDTH

The Clear Opening Width (COW) is calculated by the Frame Opening (FO) - Pivot/Wall Mount Depth.



DOOR FRAME CHECK

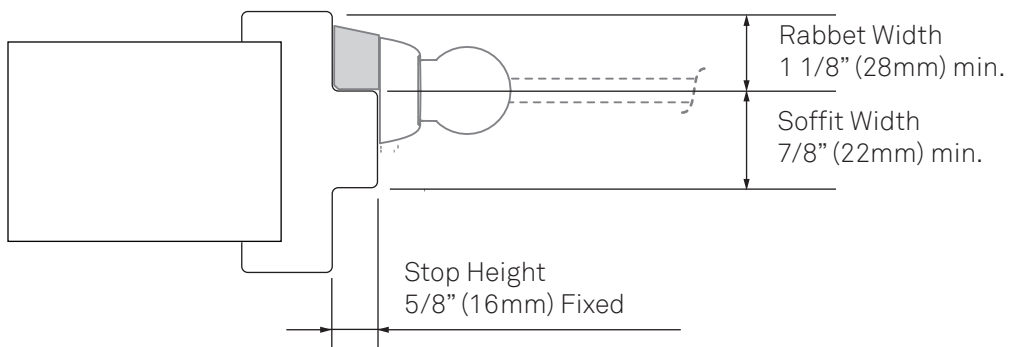
The Wall Mount can be fitted directly to a door frame which has a minimum Rabbet width of 1 3/4" (45mm), or Soffit width of 1 9/16" (40mm). The frame surface must be flat to avoid any gaps between frame and mount.



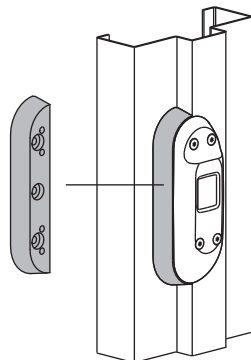
*must leave a minimum of 3/16" (5mm) between the Wall Mount and the Soffit.

FRAME PACKER KIT

A frame packer kit allows fitment of the Wall Mount to a frame narrower than 1 9/16" (40mm) with a stop height of 5/8" (16mm). The diagram below shows the dimensions required with the minimum allowed sizes.



<11lbs Release Door Frame Packer



LIGATURE-RESISTANT BATHROOM DOOR (<20LBS LOAD RELEASE)

PRODUCT OUTLINE

Providing privacy and dignity without compromising on safety, the load release bathroom door solves the biggest unsupervised risk in behavioral health.

With the soft, lightweight leaves detaching if a weight of less than 20lbs is applied, the door maintains patients' sense of self worth whilst still allowing staff to carry out head and feet observations.



KEY FEATURES

Load release - Doors detach when a weight of less than 20lbs is applied to the door - eliminating ligature points created by the meeting of two hard surfaces.

Two leaves - By having two leaves which are available in narrow, medium, wide and extra wide widths, this is an off-the-shelf product that does not require made-to-order sizing and specification like others on the market.

Improved bottom pivot - The bottom pivot now uses a self-locating magnet - meaning it clicks into place easily without the need to bend down and reattach the leaf if it detaches.

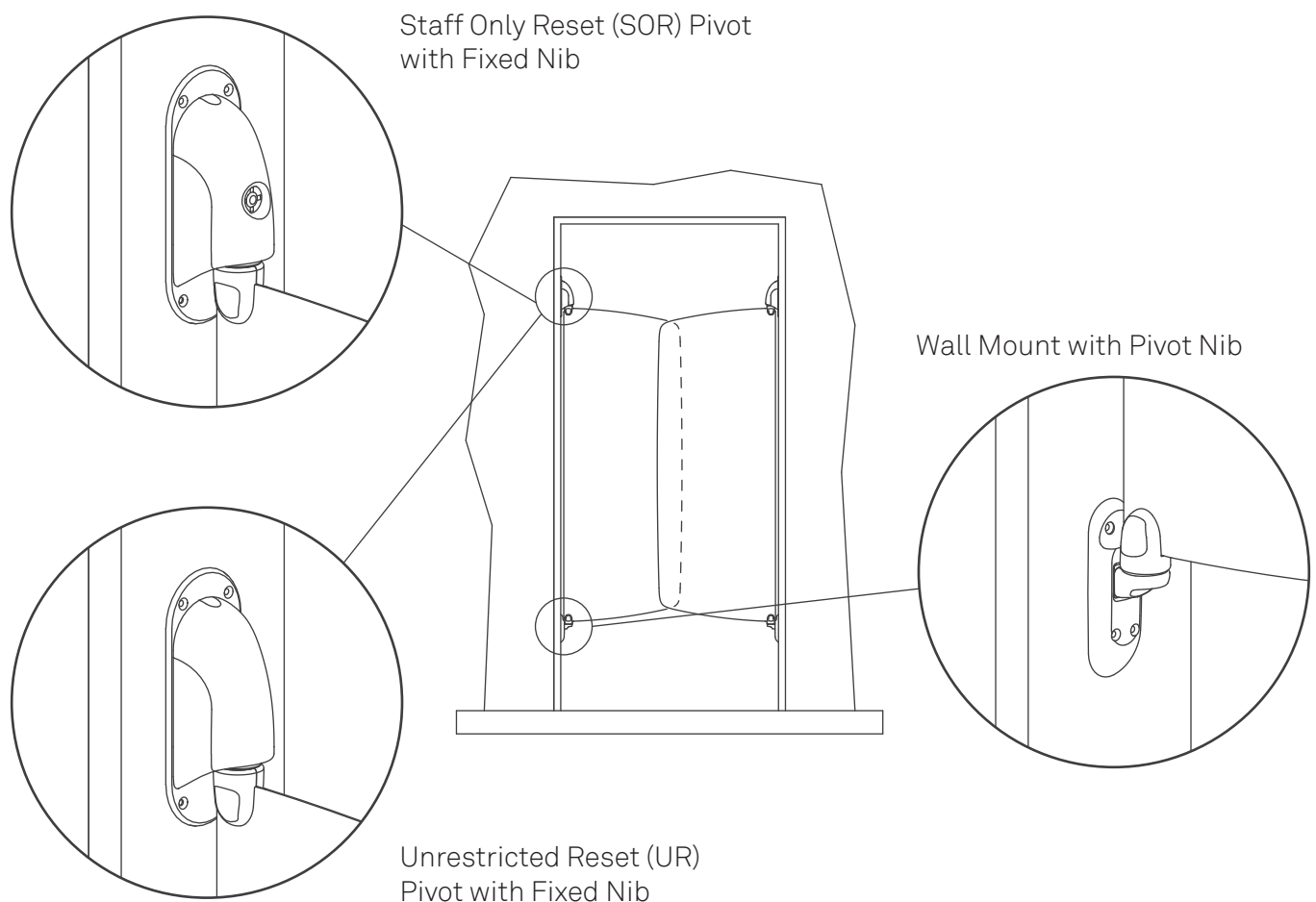
Privacy screen - The two leaves create a screen for patients whilst using the bathroom which still allow for head and feet observations.

Leaf design options - Choose from a range of leaf design options including two original artworks from arts & behavioral health charity Hospital Rooms.

PRODUCT SCOPE

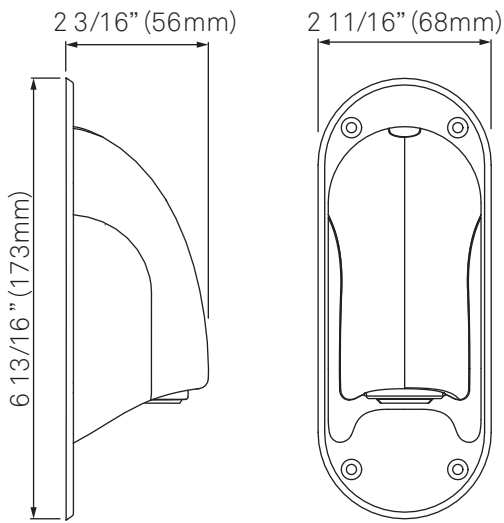
- The Bathroom Door is a load release, saloon style door designed for behavioral health environments.
- The Product is available in two variants, Staff Only Reset (SOR) and Unrestricted Reset (UR). A Safehinge Primera Lifeline key is required to reset an SOR doorset that has been removed from the wall mounted pivot. No additional tools are required to reattach a UR version.
- Door leaves have been tested the following standards:
 - ASTM E84 - Standard Test Method for Surface Burning Characteristics of Building Materials
 - BS EN 1021-1:2006 smouldering cigarette
 - BS EN 1021-2: 2006 match flame equivalent
 - BS 5852: 1982 Part 2
 - BS 7176:2007+A1:2011 Low Hazard
 - BS EN 597-1-1995 smouldering cigarette
 - BS EN 597-2: 1995 match flame equivalent
- Mechanical Performance - Safehinge Primera products have been rigorously tested to ensure they are suitable for behavioral health environments. For more details on the mechanical performance visit www.safehingeprimera.com/resources or contact Safehinge Primera at inquiries@safehingeprimera.com or +1 617. 898. 0700.
- Ligature Performance - The door leaves will release at a load of <20lbs. It is essential that the product has been installed and maintained as stated in the installation instructions and O&M manual to ensure the ligature performance is met for the lifetime of the product.
- Please be aware that the Bathroom Wall Mount and Pivot contains strong magnets. These are securely fixed to the opening and have been thoroughly tested with patient safety in mind to ensure the magnets cannot be accessed once installed. Before installation, it is critical that anyone handling the product is aware of the magnet safety information - SHP document HSN003.

PRODUCT DIAGRAM

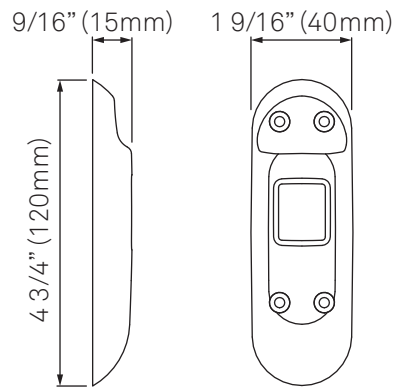


PRODUCT DIAGRAM

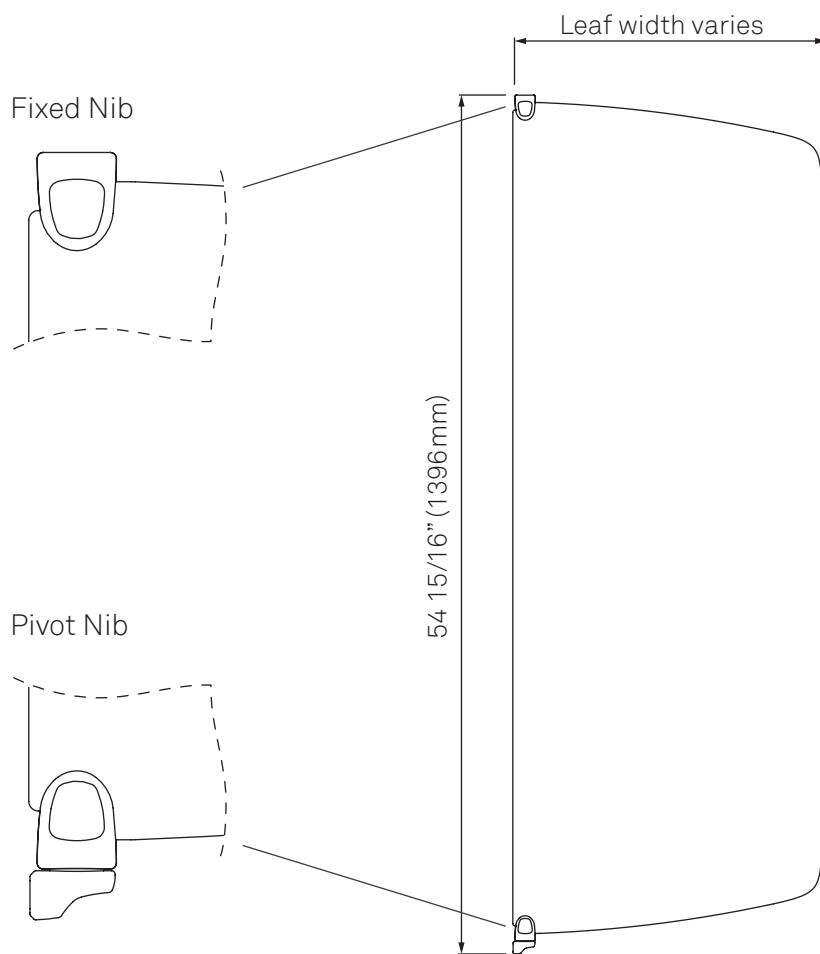
Pivot



Wall Mount



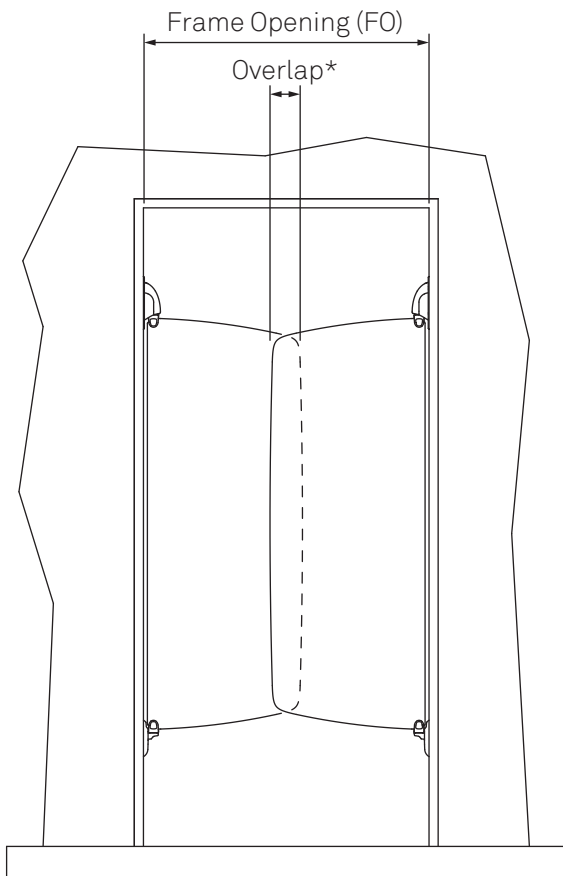
Bathroom Door Leaf



See PCD007 -
'En-suite Coding
Document' for leaf
graphics options.

Leaf Size	Narrow	Medium	Wide	Extra Wide
Width Dimension	14 3/4" (375mm)	17 5/16" (440mm)	20 1/16" (510mm)	22 7/16" (570mm)
Leaf Weight	2.4lbs (1.1kg)	2.6lbs (1.2kg)	2.9lbs (1.3kg)	3.1lbs (1.4kg)
Fixed Nib Weight	1.8oz (51g)	1.8oz (51g)	1.8oz (51g)	1.8oz (51g)
Pivot Nib Weight	1.3oz (38g)	1.3oz (38g)	1.3oz (38g)	1.3oz (38g)

FRAME OPENING



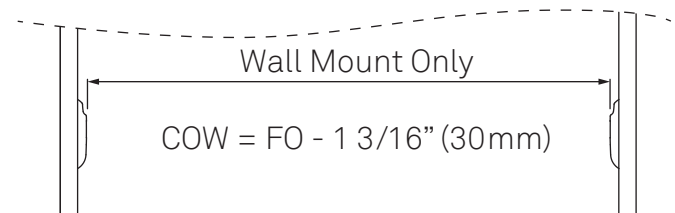
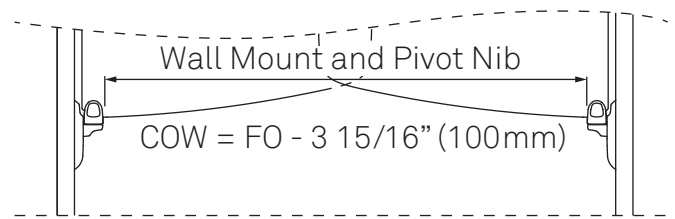
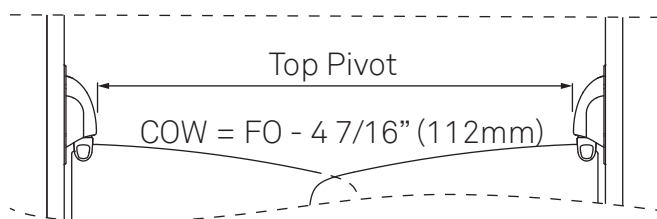
Leaf Size	Min FO	Max FO
Narrow	23 5/8" (600mm)	29 1/8" (740mm)
Medium	29 3/16" (741mm)	34 1/4" (870mm)
Wide	34 5/16" (871mm)	39 3/8" (1000mm)
Extra Wide	39 7/16" (1001mm)	44" (1118mm)

* Overlap will range from 13/16" (20mm) at 'Max FO' to 5 7/8" (150mm) at 'Min FO'.

We do not recommend an overlap outside of this range.

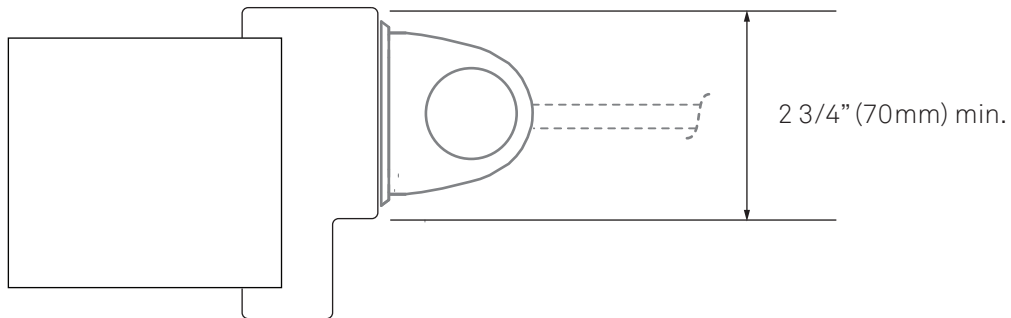
CLEAR OPENING WIDTH

The Clear Opening Width (COW) is calculated by the Frame Opening (FO) - Pivot/Wall Mount Depth.



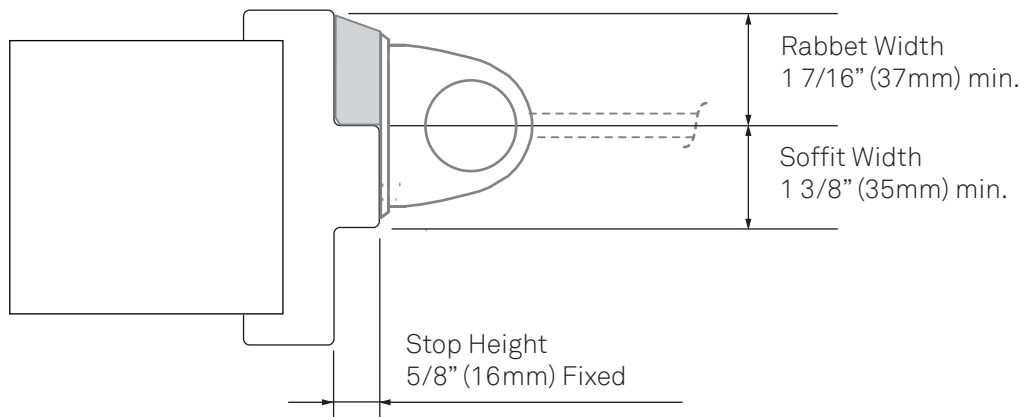
DOOR FRAME CHECK

The Pivot and Wall Mount can be fitted directly to a door frame which has a minimum width of 2 3/4" (70mm). The frame surface must be flat to avoid any gaps between frame and pivot.

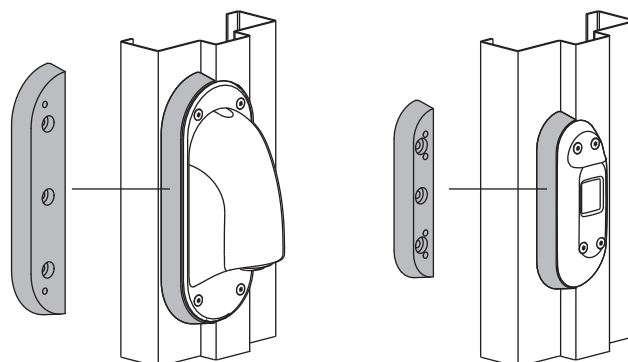


FRAME PACKER KIT

A frame packer kit allows fitment of the Pivot and Wall Mount to a frame narrower than 2 3/4" (70mm) with a stop height of 5/8". The diagram below shows the dimensions required with the minimum allowed sizes.



<20lbs Release Door Frame Packer



t +1 617.898.0700

e inquiries@safehingeprimera.com

w www.safehingeprimera.com

Boston MA Office

Safehinge Primera, Inc.

177 Huntington Ave, 17th Floor

Boston

MA 02115