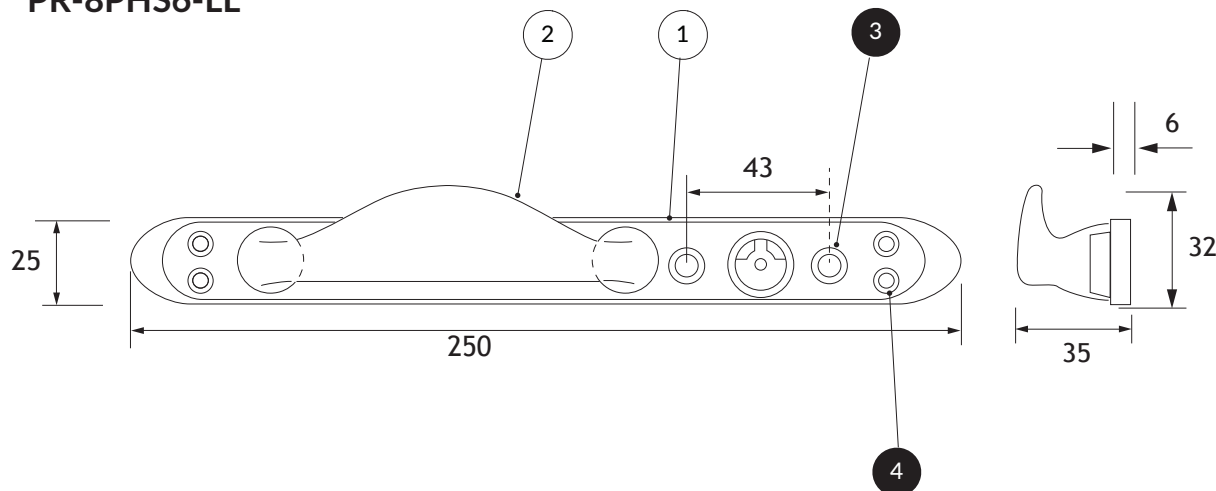


### PR-8PHS6-LL LIFE-LINE

Anti-Ligature Window Handle

#### PR-8PHS6-LL



#### PARTS LIST

ITEM	QTY	Description	PART NUMBER	PRIMERA CODE
1	1	6mm WINDOW PLATE 6X25X250 WITH LIFE-LINE	B600233 (Fig 3) B600234 (Fig 4)	
2	1	727S HANDLE	B310112	
3	2	ESPAH HANDLE FIXINGS	B100571	
4	4	M5X40mm 6 LOBE PIN TORX C/S M/S WINDOW HANDLE FIXINGS 6X3/4 X 6 LOBE PIN TORX C/S		

SHOWN AS FIG 3, ITEM 1 WILL BE (B600234) IF FIG 4.

**Material** | **Handle:** Die-cast Mazak 5 handle. Electro-plated SSS Finish.

**Fixings** | 6 lobe pin-torx anti-tamper stainless steel security screws.

**Maintenance** | **Cleaning:** Proprietary baby oil and soft cloth.

ITEM	PART NUMBER	PRIMERA CODE	DHF T001: 2013
1	B310112	PR-8-PHS6-LL	PASSED A4

Important Note: Primera products are protected by Intellectual Property Rights including UK and Community Unregistered Design Rights, UK and Community Registered Designs and UK Patents and Patent Applications.  
For further details please contact Primera Ltd.