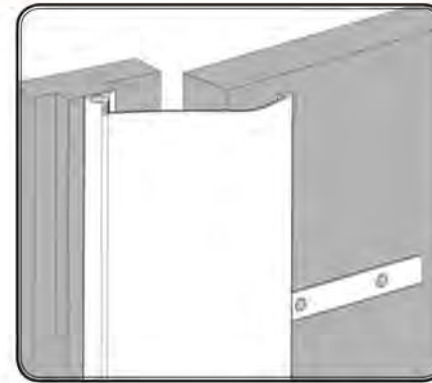


ALUFAST



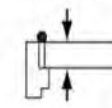
IMPORTANT: product should operate quietly. If excessive noise is heard after installation - see pages 2-4.

Installation Instructions (FAST G2 / G3)



Designed for :

Door thickness



54 mm max

Opening angle



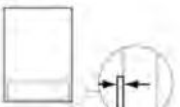
100° max

Clear width

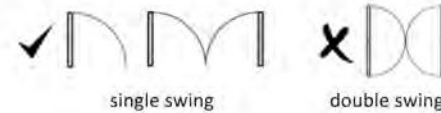


150 mm min

Kickplate

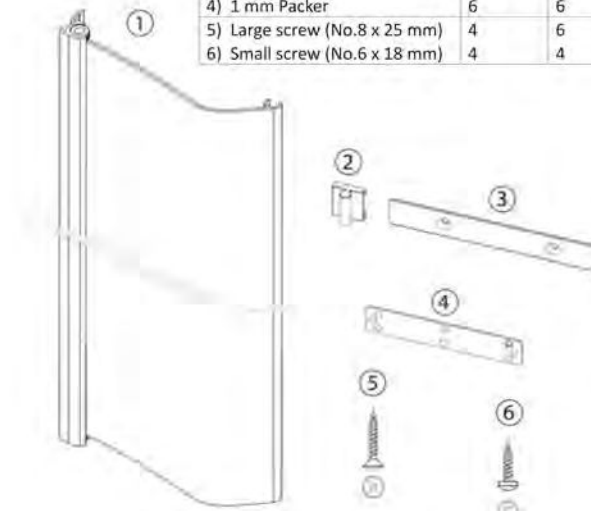


3 mm max



Parts list

	FAST G2	FAST G3
1) ALUfast assembly	1	1
2) Connector	2	3
3) Guiderail	2	3
4) 1 mm Packer	6	6
5) Large screw (No.8 x 25 mm)	4	6
6) Small screw (No.6 x 18 mm)	4	4

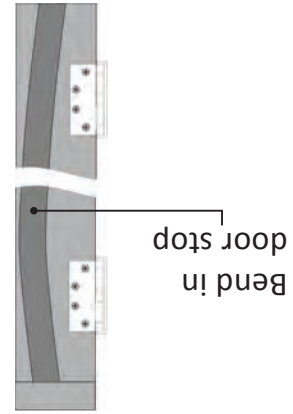
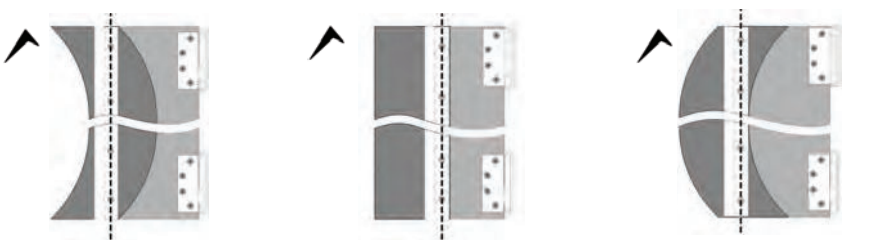


Tools required



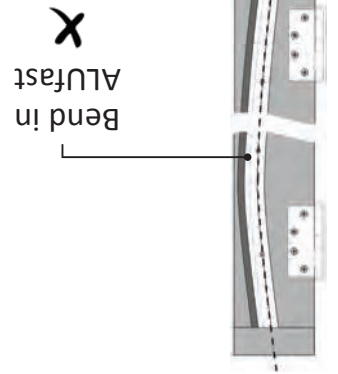
SAFEHINGE SIMPLY DIFFERENT

T: + 44 (0) 141 244 0085
F: + 44 (0) 560 342 6439
E: info@safehinge.com
W: www.safehinge.com

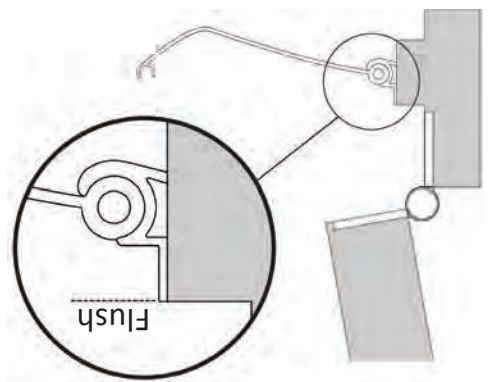


X B)

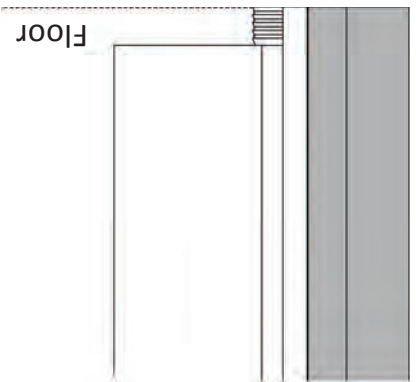
CAUTION!



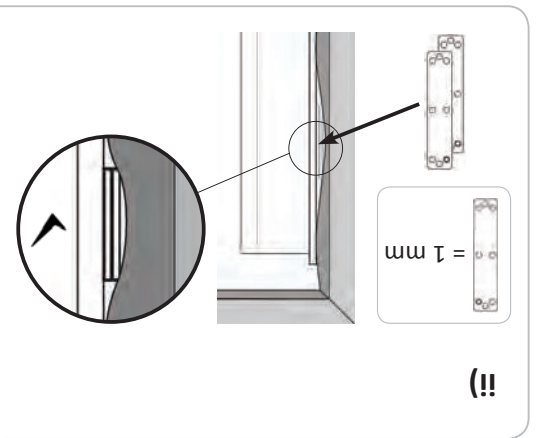
X Bend in ALUfast



A)



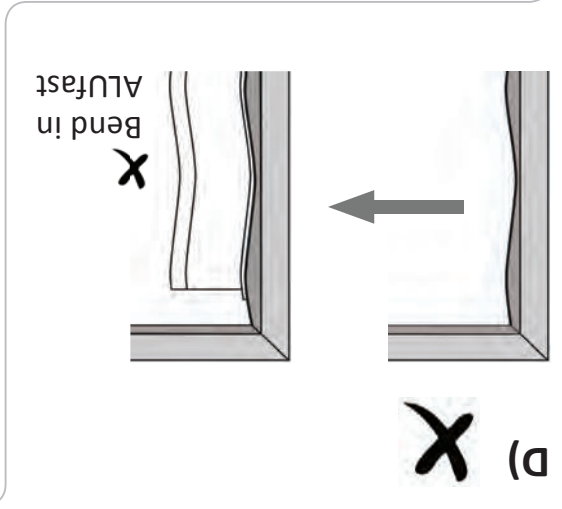
Floor



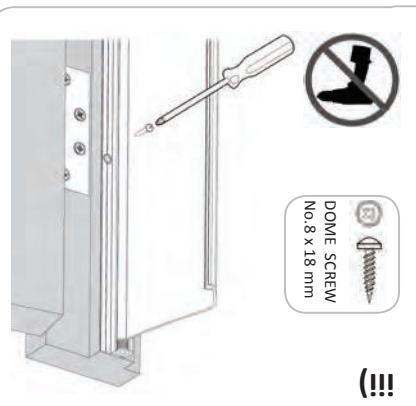
!!)

DOME SCREW
No. 8 x 18 mm

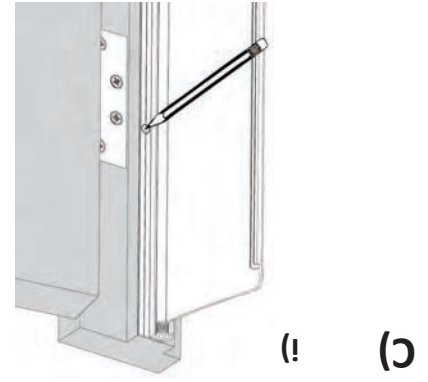
!!!)



X D)



!!!)



i)



2 mm drill bit

c)