



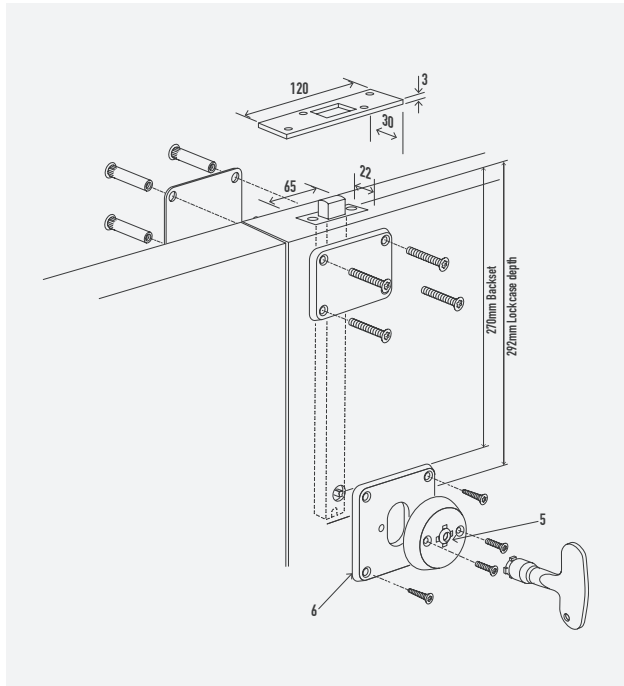
SLAVE-LEAF LOCKING RHINO

Slave-leaves are installed where extra-wide leaf doors can't be used. For normal traffic, only the main section of the door is used, with the slave-leaf unlocked only when a wider aperture is required. However, this presents a weak point in a door's security and is vulnerable to abuse, which can damage the small leaf. Our slave-leaf bolt offers a robust solution.

- ✓ Lifeline closed keyway to minimise tampering
- ✓ Lowers the keyway and brings it within convenient reach
- ✓ Release slave-leaf with a quarter turn
- ✓ Anti-tamper fittings
- ✓ Easy-clean floor sockets available

RHINO BOLT

PR-6304-RB-RK-LL



Designed for the most extreme environments, the Rhino Bolt's extended mortise lock bolt secures the slave-leaf to the door frame. Steel deadbolts, high-impact strike plates, bolt-through reinforcing plates and anti-tamper fixings are also used.

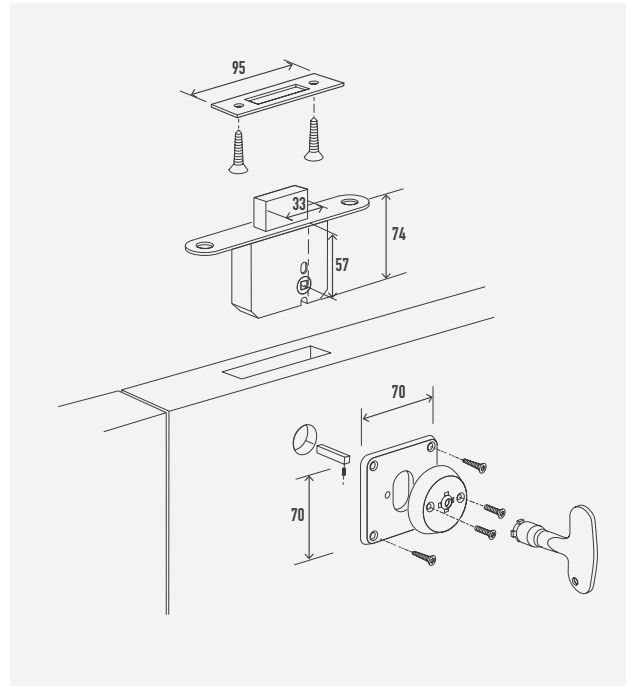
It also lowers the keyway and brings it within easy reach.

Plus the 3mm reinforcing plates and back-to-back fixings provides higher impact protection to protect the lock mechanism.

SAFEHINGE PRIMERA[®]
LIFESAVING DETAILS

RHINO JUNIOR BOLT

PR-6308-BR-LL



When securing slave-leaf doors is a priority over impact resistance, the Junior Rhino is suitable. The mortise lock is located at the top or bottom edge – or both – and locks the slave-leaf to the floor or door frame. Plus no specialist equipment is required, making it convenient to retrofit onsite.

