

FINGER GUARDS

**The industry standard for
durable finger guards.**

Engineered to last in high traffic
environments. Designed for every
project and budget.

**SAFEHINGE[®]
PRIMERA**



WELCOME TO SAFEHINGE PRIMERA

When we founded Safehinge in 2007, we wanted to develop best in class products that improved people's lives. That goal has never been more true – which is why Primera, joined us in 2016.

Today, our finger guards are used by more than 80% of Local Education Authorities and numerous independent schools, as well as retail and leisure outlets, and hospitals across the UK – setting the industry standard for finger protection.

Our first product was an integral finger guard, which was developed to solve the problem of small fingers becoming trapped in doors. Invented by our founders during their product design engineering course at Glasgow School of Art and the University of Glasgow, working closely with the Royal Sick Children's Hospital in Glasgow to ensure it kept children safer.

Since then we've been proud to see our products so widely used, with many customers using them on multiple projects. The case studies you'll find throughout this brochure are only few of a wide variety of projects we've successfully completed together.

DEPARTMENT FOR EDUCATION FINGER GUARDS SPECIFICATION

In 2020 the UK Department for Education has updated the specification documents for their Modern Methods of Construction (MMC) framework.

The document is for technical professionals involved in the design and construction of school premises, to use as part of the Employer's Requirements - and we're delighted that integral finger guards have been specified on a spend-to-save basis and our clever finger-ejecting guards are one of the very few on the market to meet the standards for retrofit finger guards. See page 19 and 31 for more details on how our innovative finger guards work.

What does it say?

“Where new doors require finger guards, **the guard mechanism should be built into the door and frame, with a rounded stile that creates a gap between door and frame that remains constant as the door closes.**”

An applied cover finger guard is only acceptable in refurbishment and only where the door is not being replaced; the cover must not affect the integrity of the doorset in terms of fire or acoustics. **The proposed solution shall require minimal maintenance with minimum Life Expectancy of 10 years.”**

MARKET LEADER FOR DURABLE FINGER GUARDS

Proud to work with leading organisations across the UK, including:



MAP OF UK PROJECTS

Not only do we work with the majority of the UK's LEAs, we supply hundreds of projects every year. See an interactive map online www.shp.help/fg-map



“We decided to use Alumax on a ‘spend-to-save’ basis across all new primary and special needs schools.”

Education Department,
Manchester City Council

Endike Primary School

Kingston-upon-Hull /
Gleeds

When Kingston-upon-Hull Council wanted an alternative to plastic finger guards, their client advisor introduced them to Safehinge.

We listened as they told us they were keen to reduce maintenance and replacement costs — with Alumax's robust aluminium construction proving the deciding factor.

CONTENTS

FINGER GUARD OVERVIEW

Introduction	7
Where to specify	8
Potted history	10
Limitations of	
- plastic	11
- rubber	12
- roller blind	13

SPECIFICATION

Technical and specification information	43
Technical summary	44
BIM is here	46
How to specify and buy	49

Get in touch	50
--------------	----

OUR DURABLE FINGER GUARDS

Overview	15
----------	----

Integral

About Alumax	19
Case studies: Education	22
Employer's requirements	23
Case studies: Retail & Leisure	24
Architectural considerations	26
Concealed door closer (Sureclose)	29

Retrofit

Finger-ejecting

About Alumini	31
Case studies	34
Architectural considerations	35

Extreme Duty

About Alufast	37
Case studies	40
Architectural considerations	41

INTRODUCTION

Around 30,000¹ children trap and seriously injure their fingers in doors across the UK every year. Of these, around 1,500 require surgery¹ and 600 amputations². The legal costs for such injuries can be harsh — but more severe is the impact on the children and their care providers.

A child with a broken finger or worse can miss school for up to six weeks, affecting their educational development. Teachers can be equally upset if a child is injured while in their care. Therefore, it's vital that building owners and specifiers act responsibly to help reduce such injuries.

KINGSPARK ASN SCHOOL

Dundee City Council

When Kingspark Additional Support Needs School in Dundee was being rebuilt, installing Alimax integral finger guards helped save over £100,000 in life costs.. The designers praised Alimax for being “aesthetically neat, unobtrusive and effective”.

¹Royal Society for the Prevention of Accidents ²Royal Sick Children's Hospital, Glasgow

WHERE TO SPECIFY

Finger guards are used where vulnerable people are at risk, driven by the client's or architect's health and safety risk assessment. They are most commonly used in areas where:

- there are children up to the age of 11, or
- there are individuals with learning difficulties up to the age of at least 18

It is the duty of every building owner to prevent injury — not because of potential litigation or compensation claims, but the negative association of building owners that don't keep their children safe.



Primary schools, nurseries and Special Educational Needs (SEN) Schools

We're often asked where finger guards should be fitted in a school. The answer? Anywhere you find a child — which means:

- Toilets
- Classrooms
- Corridors
- Sports halls
- Dining rooms

Office doors might not seem necessary at first — but what about the regular visits from pupils with notes?

Some doors can be excluded however — cleaners' cupboards and maintenance rooms should be locked shut at all times.



Retail and leisure environments

In restaurants, museums and leisure centres, it's important to protect any doors leading to the toilets, as well as the toilet doors themselves.



Children's hospitals or GPs

Paediatric wards often become like a child's home, complete with visits by small siblings, as do GP waiting rooms, consulting areas, and toilets.

Heavy door closers?

Most people assume that heavy door closers are to blame for children trapping their fingers in doors. However, the Royal Sick Children's Hospital in Glasgow revealed that 82% of such accidents are caused by another child or adult closing the door.

Therefore, the risk isn't limited to unsupervised areas, but **anywhere** that children may be present.

Automatic doors

Automatic doors with a powered opening device must meet a variety of standards, including EN16005 and BS7036 (Part 4). In all buildings with automatic doors, finger guards should be fitted to avoid the risk of trapped fingers, whether children are likely to be present or not.

POTTED HISTORY

1927

AN ENDURING PROBLEM...

The humble door hinge has been a part of our lives for more than 500 years. But throughout that time, there's always been one fundamental issue — safety.

By its very nature, the hinge creates a 'guillotine' point as it moves the door back against the frame.

The first attempts to solve this problem date back to 1927 — although a search through the patent office reveals it was merely to stop ladies clothes becoming trapped!



1990

...WITH NO OBVIOUS SOLUTION...

It wasn't until the 1990s that the first finger guards were introduced — a piece of folding plastic to cover the gap and prevent injury (see page 11). However, customers commented that it looked cheap and unsightly, and didn't last long, especially in heavy traffic areas like schools or hospitals.

This durability issue was addressed by using a single piece of flexible rubber (see page 12) instead of plastic — which hid the gap, but could still result in finger trapping.

This was followed by the retracting fabric roller blind (see page 13) that was neater than the rubber cover and made it harder — but not impossible — for fingers to become trapped.



2005

...UNTIL NETBALL PROVIDES THE INSPIRATION

It was clear that a better solution was still needed. Luckily, in 2005, a young design engineering student went back to basics and Safehinge was born. Inspired by the rules of netball — when you pivot on one foot, it's not classed as moving — he came up with a revolutionary safety hinge. Using a rounded edge door, pivoted at the top and bottom, his door edge didn't move, eliminating the dangerous 'guillotine' action that had baffled so many people for 500 years.



LIMITATIONS OF CURRENT FINGER GUARDS

PLASTIC

As the first attempt at finger safety, plastic guards covered the gap between the door and frame. In some situations, like the home, they're safe and do the job. However, in high traffic areas, like schools, hospitals, restaurants and retail environments, they're simply not durable enough.

They crack and split

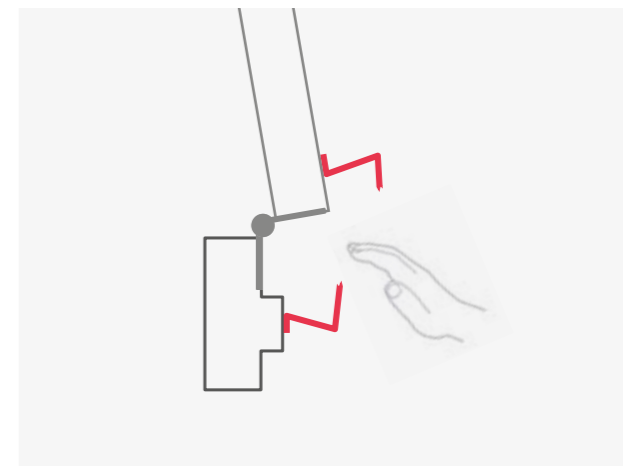
Although cheap, plastic finger guards aren't built to last. Typically, after between six months and two years of normal use in schools, GPs, restaurants or swimming pools, they split and need replacing. And once broken, the original danger is exposed, putting fingers at risk.

A maintenance liability

The real cost of a plastic finger guard is anything but cheap. Taken over the typical 25-year lifespan of a school, replacing them costs between **£500 and £1,000 per door**, making them the most expensive option.

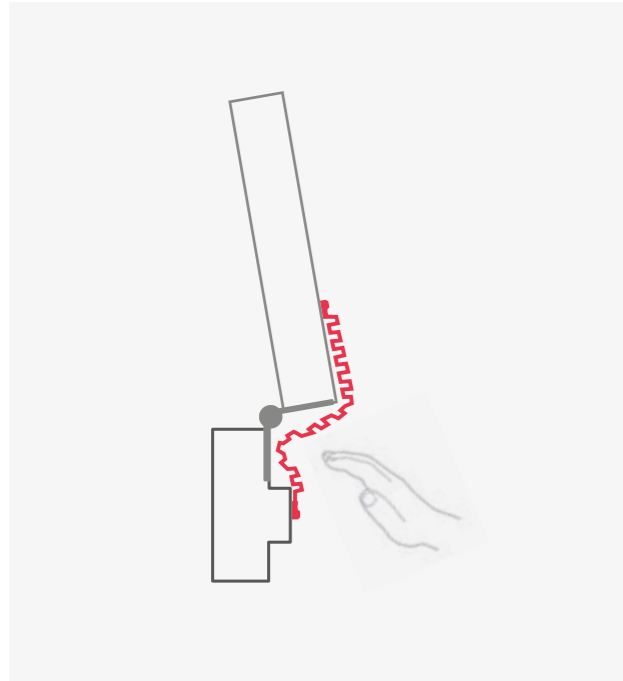
Look cheap

Plastic guards can be unsightly and rarely blend in with the environment. If the interior finish and doors have been carefully planned — perhaps in colourful laminate or attractive veneer — the finger guard should be just as aesthetically pleasing.



RUBBER

Flexible rubber hinge covers were developed to address the durability issues of plastic finger guards. Hard wearing and tough, they cover the complete gap, however fingers can still become trapped.



Doesn't solve the problem

Rubber guards merely cover the gap between the door and frame. The rubber cover is rarely taut enough to prevent the guard being pushed into the hinge gap. This leaves open the possibility of fingers wandering into the gap and being trapped in a closing door.

Highly visible

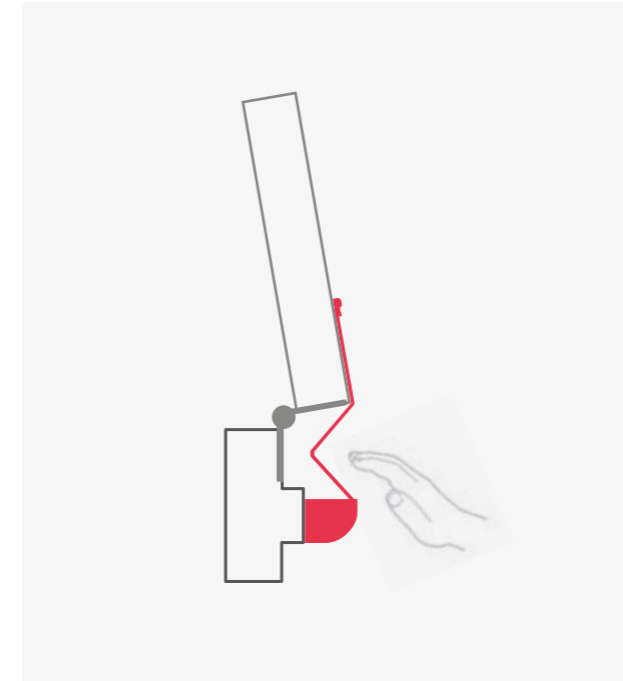
Concertina-like rubber hinge covers are made from a material not usually used on doors. Even in the closed position, customers comment they're eye-catching and impact the overall aesthetic.

Gathers dust and grime

The soft rubber surface attracts dust and is hard to clean. The folds also gather grime, which can become a hiding place for bacteria.

ROLLER BLIND

The single roller blind uses fabric tension to resist fingers pushing into the gap. And when you consider the cost of hinges, the roller blind finger guard, and the fitting, the cost is similar to Alumax. Our integral finger guard designs out the problem, offering superior safety and aesthetics.



Just hides gap

Unlike our clever designs, roller blind finger guards use fabric tension to create resistance and prevent trapped fingers. This is mostly effective but it's not foolproof.

Affects opening force

The fabric tension resistance can make it challenging to comply with Approved Document M and BS 8300 (Opening Force for a Door).

A costly compromise

Roller blinds cost around the same as our Alumax integral finger guard — yet compromise on aesthetics. And if cost is an issue, our retrofit finger guard makes the perfect alternative. It's durable and doesn't impact the opening force.



HOW SAFE IS YOUR FINGER GUARD? TEST IT YOURSELF

Open the door and push a pencil against the flexible rubber section into the gap. Now close the door — what happens?

Blairdardie Primary School

Glasgow City Council

Funded by Glasgow City Council and the Scottish Government, this £12.1 million state-of-the-art primary school was built to replace an existing school building. Architects Holmes Miller specified our integral finger guard throughout, blending seamlessly with their contemporary design.

OUR DURABLE FINGER GUARDS

- ✓ Durable
- ✓ Robust aluminium
- ✓ Retrofit or integral options
- ✓ Engineered to last
- ✓ Lower lifecost, saving up to £1,000
- ✓ Hygienic
- ✓ Discreet

Over the years we've listened to and received valuable feedback from countless architects, specifiers, head teachers, contractors and project managers about finger guards. It's their direct feedback which helped us develop our range of durable finger guards which cost-effectively meet any project requirement, look great and keep little fingers safe.

Designed for high traffic areas, like schools, leisure centres and hospitals, all our finger guards are **engineered to last**. They **reduce maintenance costs**, provide superior finger protection and are **discreet**.

So whether you require integral finger guards (Alumax) to design out the problem or retrofit finger guards (Alumini/Alufast) for existing hinged doors, we have a finger guard to suit.

Plus they're readily available through our nationwide network of architectural ironmongers and door manufacturers.



WHY ALUMINIUM?

Like everything we do, we considered every option carefully before choosing how to build our integral finger guard. After evaluating timber and aluminium, we settled on the latter for several reasons. Firstly, aluminium is the most efficient way to create a perfect curve on a timber door edge. Plus it fits into manufacturers' existing processes and is cost effective to produce.

It's also durable and easy to clean. And most importantly, the low-friction surface ensures that, unlike timber, tiny fingers won't get pulled into that small 2mm finger safe gap.

INTEGRAL

Integral finger guards can only be used at the point of door and frame manufacture. This typically restricts their use to new build or major refurbishments projects.

Architects are constantly looking for solutions to known problems — integral finger guards design out the dangers of traditional hinges.

RETROFIT

When doors are already in place, or when hinged doors are specified, a retrofit or face-fixed finger guard is the only solution.

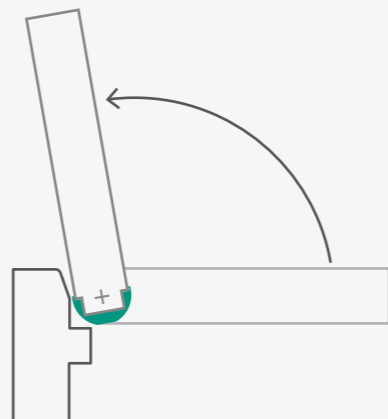
Retrofit finger guards can be more budget-friendly than integral solutions, without sacrificing safety or **durability**.

INTEGRAL FINGER GUARD

Alumax

- Lasts the life of the door
- Saves £500 - £1,000 per door
- Designs out the problem
- Blends seamlessly into the environment

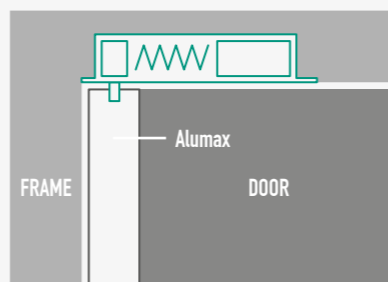
See page 19.



CONCEALED DOUBLE-SWING DOOR CLOSER

Sureclose

- Double-swing mechanism
- Fitted in frame head – no digging down for floor springs
- EMAG hold-open option linked to the fire alarm

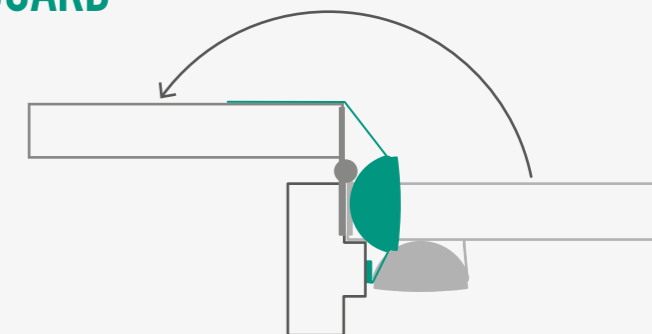


CLEVER FINGER-EJECTING GUARD

Alumini

- Allows 180° opening angle
- Patented finger-ejection system
- Approved Document M compliant, with nominal impact on door opening forces
- Fits to existing doors in 10 minutes

See page 31.

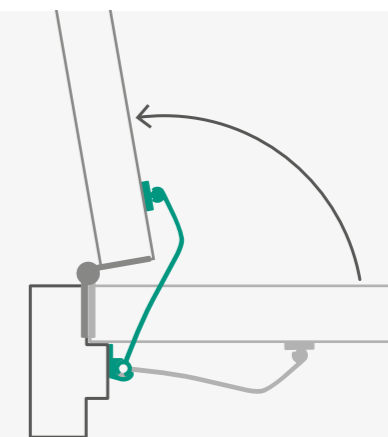


EXTREME DUTY FINGER GUARD

Alufast

- Super-robust aluminium construction
- Protects the door edge from impact
- Wipe-clean and hygienic
- Fits to existing doors in 15 minutes

See page 37.





INTEGRAL FINGER GUARD Alumax

Perfect for new builds and major refurbishments, our discreet integral finger guard offers unrivalled safety and durability.

Alumax designs out the problem of trapped fingers by using pivots and a rounded door edge to minimise the gap between door and frame. As the door opens and shuts, this gap remains constant at just 2mm – too small for fingers to get in harm’s way.

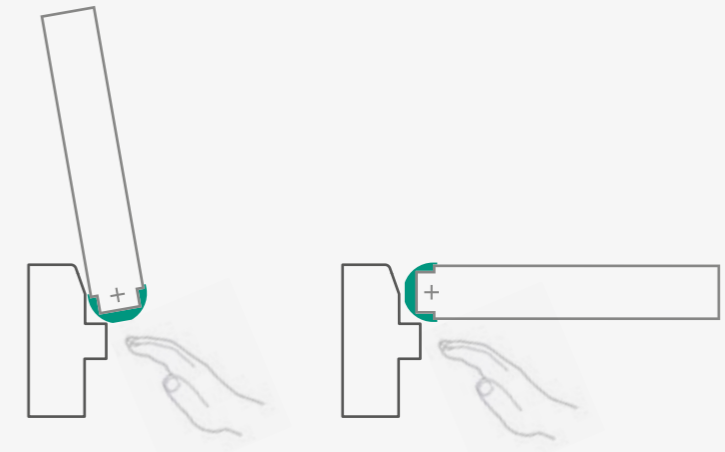
Once fitted, it will last the **lifetime of the door**, removing the need for regular replacements and saving between £500 and £1,000 per door over 25 years compared to plastic.

As well as providing **superior finger safety**, it **blends seamlessly** into any environment through its range of finishes, including timber finish and RAL colour.

The onsite adjustment also ensures that it’s installed right first time — every time.

“Alumax was an obvious choice as it met our needs. It’s a good looking and simple solution that just works.”

Education Department,
Dundee City Council

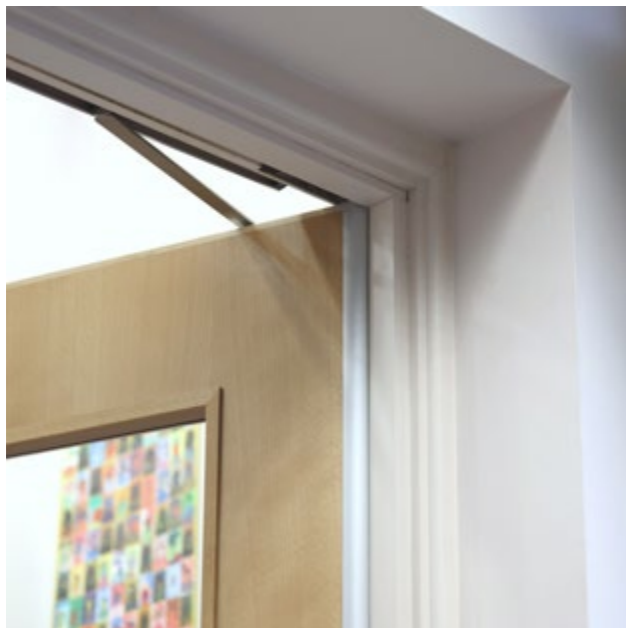


Patent protected (GB1902103, FR1902103, DE602006020281.4)



HOW IT WORKS

The concentric curved profile and pivot point of our integral finger guard means the frame sits almost at a tangent to the door. This allows it to open and close without the edge moving relative to the frame – creating a constant 2mm finger-safe gap.



Lasts the lifetime of the door

Once installed, AlumaX will last the lifetime of the door, removing the need for replacements. This can **save £500-£1,000** over the door's life, compared to plastic finger guards.

Designs out the problem

Our integral finger guard reduces the risk of trapped fingers by removing the dangerous gap between door and frame. The clever design means there's less opportunity for wandering fingers to become trapped. It's the perfect example of prevention being the best way to protect against accidents.



Blends in seamlessly

Available in a range of finishes, including timber finish and RAL colour, it's almost invisible to the eye and fits seamlessly into any environment.

Onsite adjustability

The pivot hinge allows onsite adjustment to speed up installation. This adjustability is both vertical and lateral, so you can set both desired floor clearance and fine-tune the finger-safe gap.



EDUCATION CASE STUDIES



CWM IFOR PRIMARY SCHOOL

Caerphilly County Borough Council / Architype

We've been working with Caerphilly County Borough Council since 2010, when they asked us to fit our integral finger guard (Alumax) throughout their Green Hill School development.

Like many LEAs, Caerphilly had previously used plastic finger guards, but grew frustrated with the lack of durability and need for frequent replacements. They tried a number of different plastic options but none were up to the job in a modern high traffic school environment — which is where we came in.

We explained how the robust design lasted the lifetime of the door, reducing replacement costs, while designing out the problem of trapped fingers. Naturally, this was music to their ears — one simple solution to many issues.



ROBIN HOOD PRIMARY SCHOOL

Nottingham City Council / Capita Symonds

Nottingham City Council invested £18 million to deliver primary school buildings fit for the 21st century through their award-winning Local Education Partnership. At the heart of this transformation, is Robin Hood Primary School.

Robin Hood Primary School caters for 420 pupils aged 7 to 11 and has a 60 place nursery, benefited from a £2.8 million investment through the Primary Capital Programme. Construction began in January 2010 and was completed in May 2011.

Sustainability, safety and life cost savings were top of the priority list while specifying materials and products. Using our integral finger guards in the new build and retrofit finger guards in the refurbished building, NCC have designed out the problem of trapped fingers at Robin Hood Primary - on schedule and within budget!!

EMPLOYER'S REQUIREMENTS

We've been supplying safe, durable and best-value finger guards to the UK's Local Education Authorities since 2009. It's why we now supply over 80% of LEAs across the country. And it's why we understand that, while they may want to use finger guards of a Safehinge standard, they can't specify any company or product by name, particularly on design and build contracts. And historically, without a set of national standards, they often struggle to specify a safe and robust finger guard within their Employer's Requirements.

The historic approach is to simply request 'finger guards'. But with over 20 different types of guards, each with varying levels of safety and durability, this is no longer suitable — so something more specific and performance-led is needed.

We've worked closely with a range of LEAs to help them make a small change to their Employer's Requirements. So now they include 'integral' when asking for finger guards. This ensures they receive a safe and durable guard that's fit for purpose within the constraints of the public sector tendering framework.

RECOMMENDED CHANGE TO EMPLOYER'S REQUIREMENTS

"[Name of LEA] requires appropriate internal doors to incorporate integral finger guard within the door frame and door stile that designs out the problem of children trapping their finger in doors by creating a constant gap between the door and frame throughout the opening and closing cycle.

This typically consists of a rounded aluminium door heel and pivot hung door to minimise the gap traditionally associated with hinged doors. The pivot set used must include onsite adjustability to ensure finger safe gap can be achieved and maintained."

CASE STUDY LONDON BOROUGH OF BARKING & DAGENHAM

Before approaching Safehinge Primera in 2012, the London Borough of Barking & Dagenham LEA endured plastic finger guards that broke frequently, looked unsightly and exposed the original risk when cracked. They were looking for something more suitable for their busy schools. So we worked closely with their education services and design team to understand their problems, and helped create a generic specification for their Employer's Requirements. They now **specify 'integral finger guards'** on their new build schools and major refurbishments to ensure they get a finger guard fit for purpose.

RETAIL & LEISURE CASE STUDIES



ASK ITALIAN RESTAURANTS

Customer safety was obviously a concern when ASK Italian started looking for a finger guard to use in their restaurants across the UK. But they also wanted an unobtrusive guard that would blend in seamlessly with the clean and contemporary design scheme of every eatery. Luckily, with its sleek aesthetic and superior safety, our integral finger guard (Alumax) had all the right ingredients.

Its sleek and subtle styling complemented the overall interior aesthetic, maintaining the welcoming environment. And of course, the unique and sturdy design made it almost impossible for customers' fingers to become trapped. Working closely with ASK Italian, we even developed a standard spec to use across all their new builds and refurbishments.



THE PODS LEISURE CENTRE

Alumax was fitted throughout this award-winning, environmentally-friendly leisure centre in Scunthorpe. The Pods' exterior was designed to blend in with its surroundings – so it was only natural that any finger guards should do the same inside.

Alumax was the best option for such a challenging environment, which meant combating a tough combination of high user traffic and high moisture content. Its quality aluminium construction and stainless steel pivots made it robust enough to take everything in its stride. Plus as well as unrivalled safety, its discreet and sleek lines merged seamlessly with the existing design scheme. The Pods' architects were so impressed, they later used Alumax in the crèche area of the London Aquatics Centre.

OTHER BENEFITS



Hygienic

We chose aluminium because it's easy to clean. So it's perfect for keeping restaurant toilets safe and hygienic.



Modular design

In healthcare environments, doors are often subject to extreme damage by trolleys. Alumax's aluminium profile can be replaced in minutes.



Durable

The robust aluminium profile can withstand bumps and bashes from trolleys and wheelchairs – making it perfect for special education needs schools and hospitals.

Gwyn Hall Case Study

Neath Port Talbot / Holder Mathias Architects

When this four-storey Victorian theatre was damaged by fire in 2007, it was decided to make the restoration as sympathetic to the original as possible. Surface-mounted finger guards would have clearly spoiled this aesthetic — making our integral finger guard the obvious choice. The result? A suitably sensitive fit-out with no compromise on safety.



ARCHITECTURAL CONSIDERATIONS

Whether single or double-swing, Alumax works with wide a range of door closers.



Overhead scissor-arm closer

Our integral finger guard works perfectly with most scissor-arm closers. However, to ensure they don't clash, check where the screw fixings from the arm will be fixed on the frame. See our technical manual for more details.



Overhead cam action closer

Cam action closers' efficiency helps achieve Approved Document M/BS 8300. Plus, there are no protruding parts when the door is closed.

The closer can also be fitted with a cushion limiter stay. This small rubber buffer fits into the guide rail and can be used, in some situations, to restrict the door's opening angle.



Concealed transom closer (Sureclose)

Our overhead concealed door closer is the perfect solution for double-swing doors. The closer is fitted in the frame head, eliminating the need for costly floor spring excavations. See page 29 for more details.

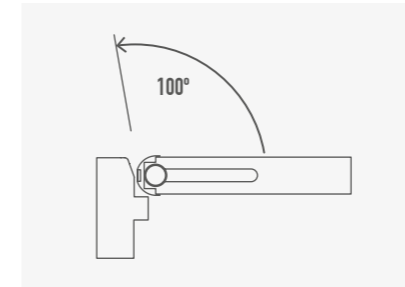
NOTE: Sureclose is only available on 54mm thick doors.

NOTE: Alumax is not compatible with GEZE Boxer and DORMA ITS96 concealed closers.



Floor springs

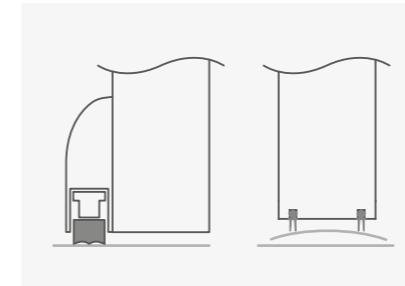
We're pleased to supply a special kit with a bottom strap compatible for floor springs. Floor springs themselves are available from a number of manufacturers. Please check compatibility in our technical manual before specification.



Opening angle restriction

Our integral finger guard has a maximum opening angle of 110°. However, we strongly recommend that you restrict this to 100° to prevent the door binding against the door frame.

Floor or wall mounted door stops can be used in most cases, or an overhead closer fitted with a cushion limiter stay. This small rubber buffer fits into the guide rail and can be used, in some situations, to restrict the door's opening angle.

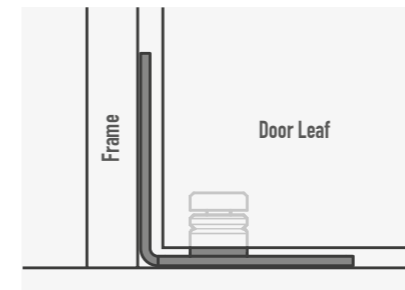


Acoustics

Alumax can achieve acoustic rating up to 32dB on 44mm and 38dB on 54mm doors.

Standard smoke seals can be used around the perimeter.

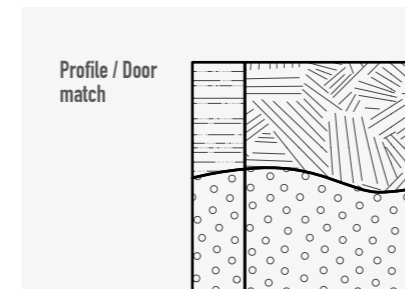
At the threshold, the options are a mechanical drop seal, surface-mounted, or a concealed fixed seal, with a raised threshold. See technical manual for details.



L-bracket or floor plate

Both options are available, although we recommend L-brackets. Fixed into the frame and floor, they help spread the load of the door, helpful if you're working with a floating screed construction.

It also ensures the bottom pivot point is placed correctly relative to the door frame.



Range of finishes

Our choice of RAL colour or timber finish allow you to blend the Alumax hinge into the doorset. Contact our specification team for finish options.



Southwark Park Primary School

London Borough of Southwark / AOC Architecture

When this new school was built, they wanted to design out the finger trapping risk – so Alumax was chosen. And to help create spacious corridor and learning areas, while maintaining fire compartments and escape routes, we supplied our double-swing transom door closer (Sureclose) with EMAG hold open that's linked to the fire alarm.

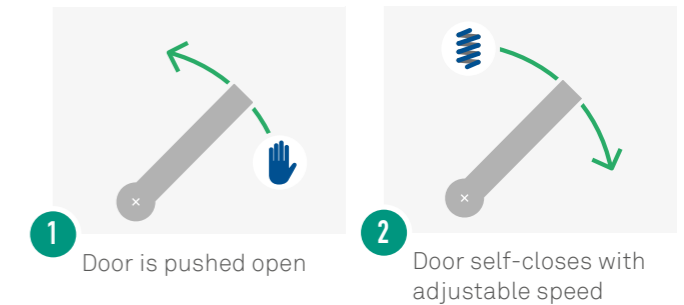
CONCEALED DOUBLE-SWING DOOR CLOSER Sureclose

Designed to work in perfect harmony with our integral finger guard, our double-swing concealed door closer is versatile enough for every situation.

Fitted in the frame head, our concealed closer typically comes as part of a doorset, avoiding messy and inaccurate floor spring installations. The easy height adjustment means you'll always have the right gap on the door. Plus the connected top strap comes with an adjustable zero position – ensuring double leaf doors meet and are fire compliant.

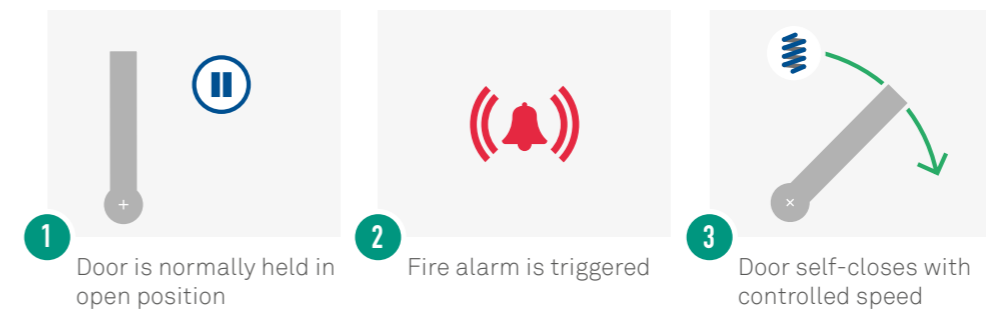
STANDARD MECHANICAL CLOSER

Doors self-close in a controlled fashion and the adjustable power rating ensures the opening force is right for the size and weight of the door leaf. The adjustable closing and latching speeds avoid the annoying slam of some other door closers, while the back check braking function prevents the door being slammed or misused.



HOLD-OPEN (EMAG)

Because its default position is open, the electro-magnetic (EMAG) hold-open option allows easy movement through a building. This is ideal for corridor areas, auditorium entrances or high traffic zones. And as it's linked to the fire alarm, it also closes automatically to maintain fire compartments.



In partnership with **dormakaba**

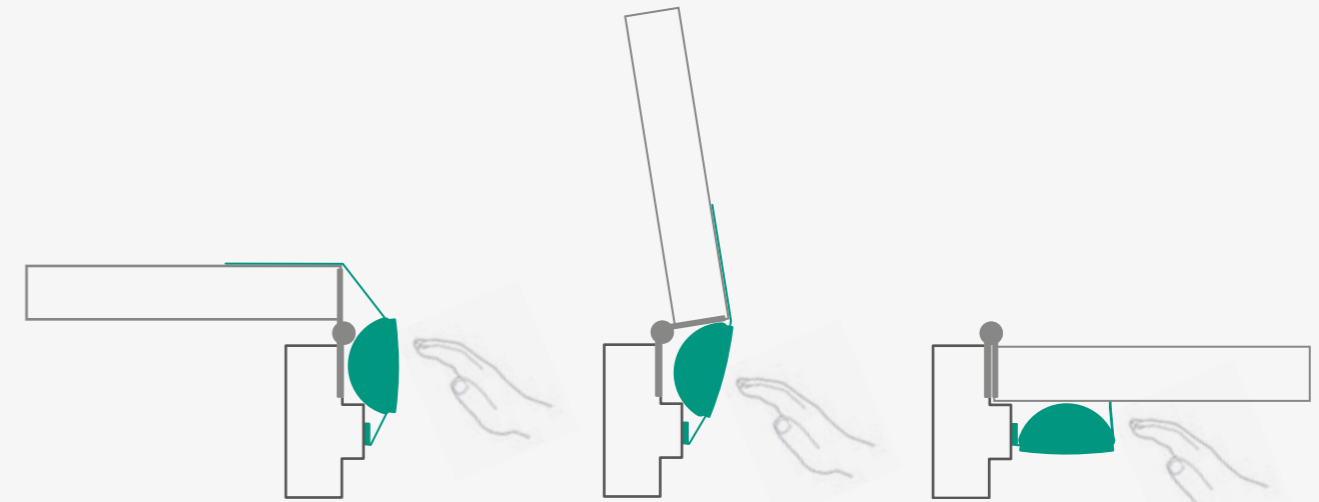


CLEVER FINGER-EJECTING GUARD Alumini

Perfect for existing hinged doors, our surface-mounted finger guard that offers a maximum opening angle of 180° and has a patented finger-ejection system to keep wandering fingers safe.

The unique design sees the semi-circular aluminium body floating on two retracting fabric sections. When the door opens, it moves into the gap and the **tear-resistant** fabric covers any remaining gaps — as well as ejecting any fingers that may stray inside.

It's this clever semi-circular geometry – rather than fabric tension – that keeps fingers safe and uses extremely low force springs so the impact on the door's opening force is nominal. Its **tough aluminium** build can also withstand knocks and bumps and wipes clean easily.



Patent protected (PCT/GB2013/051578)

JAMMING A JAR

A jar of peanut butter was the inspiration for Alumini. Are we nuts or simply different?
Watch the video to find out - www.shp.help/alumini



Patented finger-ejection system

As the door opens, the aluminium body floats into the gap and the taut fabric covers any other gaps. The fabric's patented finger-ejection system makes it **almost impossible to trap a finger**.

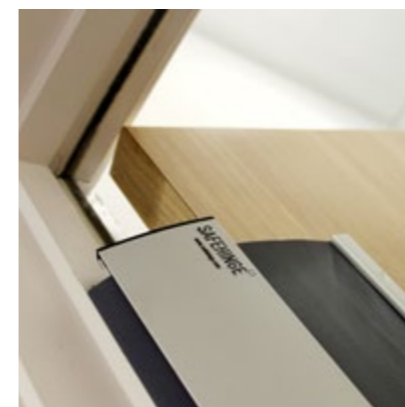
Unlike roller blind finger guards, which use fabric tension to keep fingers out, Alumini's fabric has nominal impact on the opening resistance. So your doors will still comply with Approved Document M and BS 8300.

Wide opening angle

Alumini's clever design allows unrestricted door opening up to **180°**, making it ideal for gym hall doors where you can't use floor mounted stops.

Clear opening width

The aluminium profile floats into the hinge reveal gap when the door is open at 100° so it **doesn't block the doorway**. This allows a maximum clear opening width that's ideal for wheelchairs and trolleys.



Budget friendly

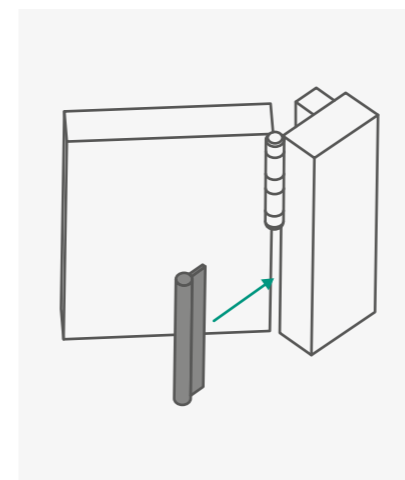
We know that budgets are often tight. But with Alumini, you can still enjoy a safe and durable solution. And because it's hard-wearing it **can save over £300** compared to plastic finger guards.



Durable

Unlike traditional rubber and roller blind finger guards, Alumini's polyurethane-backed fabric is easy to clean and is **tear-resistant**, reducing the risk of vandalism.

The hard-wearing aluminium profile is also designed to withstand any knocks in a high traffic environment.



Hinge knuckle guard

Alumini-rear is a hinge knuckle guard that protects fingers on the 'pull' side of the door. To do this, it fills the small yet dangerous gap created by standard hinged doors, replicating its shape and size for the full length with completely static protection.

If the door opens right back to 180°, eg it's in the middle of a wall, then the hinge knuckle guard is strongly recommended.

Alumini-rear comes in a standard length which is cut to size and fitted in just 10 minutes.

CASE STUDIES



WORCESTERS PRIMARY SCHOOL

London Borough of Enfield /
Surface to Air Architects

We initially supplied 20 integral finger guards (Alumax) to this school in 2014, as part of an extension built offsite by Portakabin.

They were so happy with the quality and sleek aluminium finish that, the following year, they ordered 80 clever finger-ejecting guards (Alumini) for the existing building, to replace ineffectual and costly plastic plastic guards.

Together, Alumax and Alumini now complement each other perfectly, linking the existing building with the new extension and ensuring a continuous aluminium finish throughout.



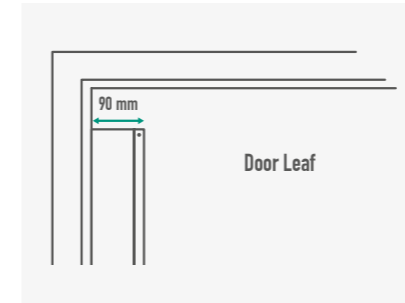
ASHGATE SEN AND CROSSACRES PRIMARY SCHOOL

Manchester City Council / AFL Architects

A rising population, facilities at capacity and financial constraints mean doing more for less is key. To achieve this, Manchester City Council focused on extending and upgrading, rather than new builds. The budget was tight — so door safety had to be cost-effective without compromising quality.

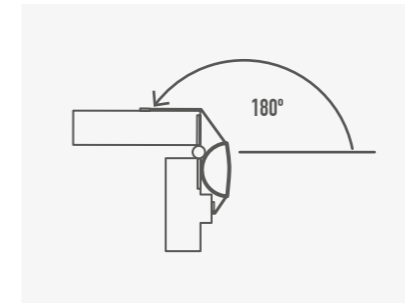
We met every challenge at Ashgate and Crossacres head-on. For all new doors, our safe and strong integral Alumax was fitted. For refurbished areas, our robust retrofit Alumini was the perfect solution. The result? Visual consistency throughout the newly combined school and complete protection for any curious little fingers. Alistair Burns, MCC, said: "The new retrofit Alumini is a practical, durable and aesthetically pleasing option for refurbishments and extensions.

ARCHITECTURAL CONSIDERATIONS



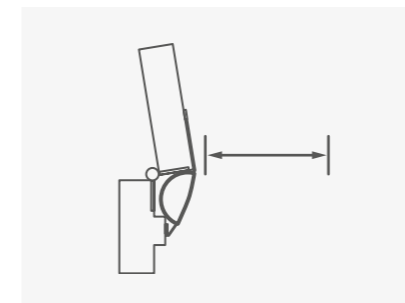
Installation on door

Alumini is suitable for new or existing timber doors. These need to have standard butt hinges and a minimum of 90mm on the door face that the profile sits on. This is measured in the closed position from the stop.



180° opening angle

Alumini is practical and flexible thanks to its wide opening angle. So even if Alumax is used elsewhere throughout a school, Alumini is perfect for the gym hall if the doors need to open right out.



Maximum clear opening width

When the door is open at 100°, the aluminium body moves into the gap between the door and frame. This means it doesn't obstruct your clear opening, offering easy access for wheelchairs.

Standard length

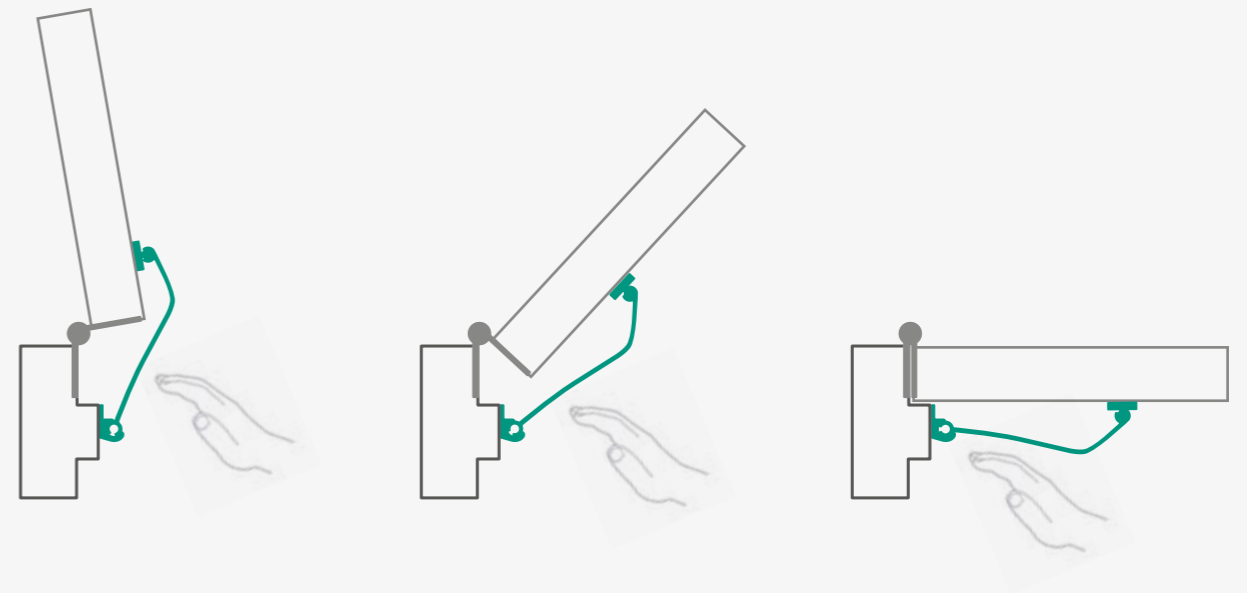
To keep things simple, Alumini comes in a standard 1925mm length. It's also prepared for 44mm doors as standard, so if you have 54mm doors you simply need to order some additional Size 2 spacers.



EXTREME DUTY FINGER GUARD Alufast

Our extreme duty finger guard is made of solid aluminium that completely covers the gap, offering superior safety and robust protection that's built to last.

The **solid construction** means it can withstand tough knocks, **protecting the door edge** from trolleys, wheelchairs and beds. So as well as **saving fingers**, it saves money too by extending the life of the door. Plus, it can be installed in just 15 minutes.



“Alufast and its rigid aluminium design is much more robust than plastic guards, withstanding repeated impacts from wheelchairs.”

Caretaker, Booker Park Special School



Durability

Solid aluminium construction can weather the toughest knocks and bumps, as well as withstanding potential abuse in every environment.



Speed of installation

Alufast is simple and quick to fit.



Protects the door

Thanks to its **robust** construction, Alufast protects the door, prolonging its life by deflecting the impact from passing traffic.



ALUFAST

CASE STUDIES



LANCASTERIAN SEN SCHOOL

Manchester City Council / AFL Architects

Manchester City Council (MCC) had previously tried a number of finger guard solutions without success. Robustness and product life was a problem, with plastic finger guards being replaced every six to 12 months.

Indeed, in environments like the Lancasterian Special Education Needs school, wheelchair damage was causing plastic finger guards to split or tear within weeks.

We were happy to install our extreme duty finger guard (Alufast) as we knew the solid aluminium construction would both keep fingers safe and protect doors from damage. After 12 months, MCC had installed Alufast in some of their most challenging school environments.



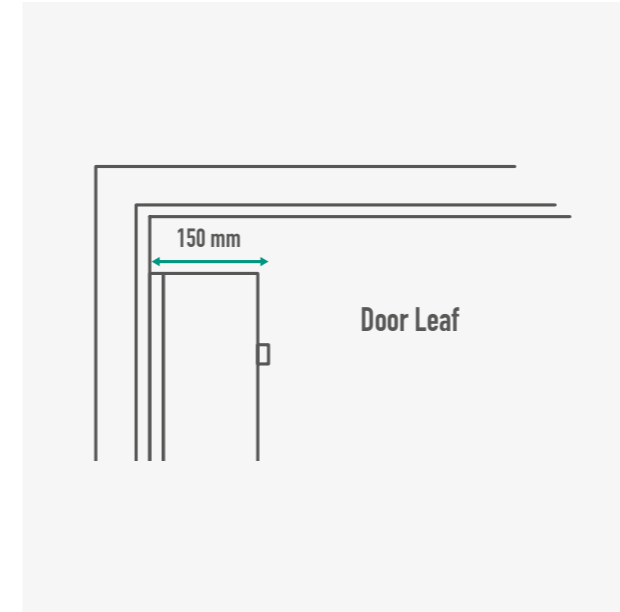
THE TRAFFORD CENTRE

As one of Europe's top retail and leisure destinations, The Trafford Centre, Manchester hosts over 30 million visitors every year. This extremely busy environment wanted finger protection in child-friendly areas like the crèche, but found existing plastic hinge covers ineffective against high footfall and impact from children, push chairs and kiddie cars.

As a test, our extreme duty finger guard (Alufast) was initially installed in the back of house areas on doors most prone to immediate wear and tear — and passed with flying colours, showing no signs of damage.

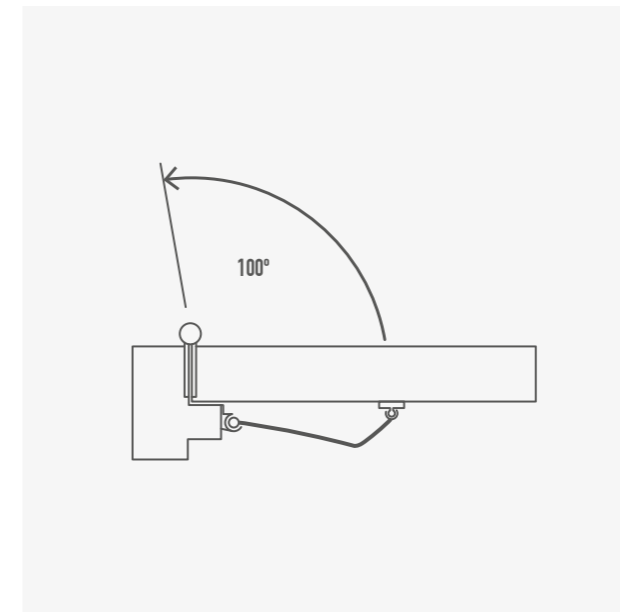
The client was so delighted, Alufast was then installed on other doors within the unit, replacing failed plastic guards with a safer and more durable alternative.

ARCHITECTURAL CONSIDERATIONS



Installation on door

Alufast is suitable for new or existing timber doors. These need to have standard butt hinges and a minimum of 150mm on the door face where the guiderails will be fixed. This is measured in the closed position from the stop.



100° opening angle

Doors using Alufast must be restricted to a 100° maximum opening. Floor or wall mounted door stops can be used in most cases, or an overhead closer fitted with a cushion limiter stay. This small rubber buffer fits into the guide rail and can be used, in some situations, to restrict the door's opening angle.



TECHNICAL AND SPECIFICATION INFORMATION

Here at Safehinge, we take technical compliance very seriously. As you'd expect from a company devoted to safety, we're not satisfied until all the i's are dotted and t's crossed.

And to ensure we're always improving, we also gather feedback regularly. The result? Total compliance and products that tick every box – without sacrificing on safety or aesthetics.

This section provides an overview of our technical information, plus details on how to specify and purchase our finger guards.

For more in-depth technical information, including user manuals and installation advice, please refer to the "Technical Tools" section on our website – www.shp.help/tech.

NBS: MAKING SPECIFICATION EASIER

Our finger guard specifications are available through NBS Create, NBS Building, RIBA Product Selector, or directly from our website – making it easier to specify the right finger guard and saving you time.



DOWNLOAD OUR NBS SPECIFICATIONS

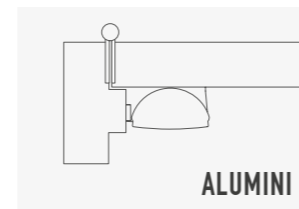
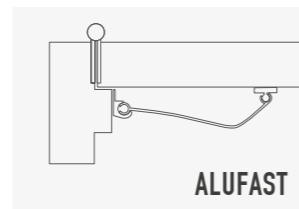
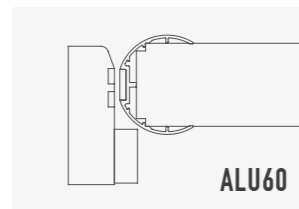
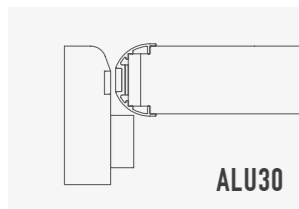
www.shp.help/nbs

PRODUCT SAFETY

At Safehinge Primera, safety is our number one priority. That's why all our products are rigorously designed and tested to the highest standards and come complete with a warranty. It's also why the specifier should always check the suitability of the product for their application, and always follow the instructions in our technical manuals.

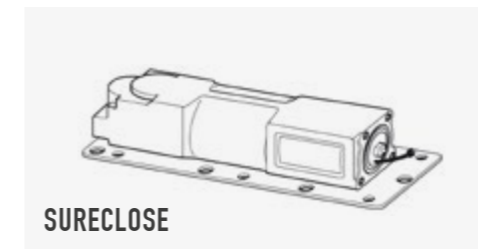
TECHNICAL SUMMARY

	ALUMAX (ALU30)	ALUMAX (ALU60)	ALUMINI	ALUFAST
Finger guard description	Integral		Retrofit finger-ejecting	Retrofit extreme duty
Door type	Single / Double swing		Single swing	
Door thickness	44mm	54mm	Up to 54mm	
Max. opening angle	100°	100°	180°	100°
Fire rating	NFR / FD30	FD60	As door	
Acoustic rating	Up to 32db	Up to 38db	As door	
Supply lengths	2100mm and 2700mm*		1925mm	1800mm
Codes	See Technical & Manufacturing Guidelines document		Standard version up to 44mm doors (MINI - 1925) Extension pack for 54mm doors (MINI - PK2)	Two guiderail as standard FAST-G2-1800 Three guiderail - extra strength FAST-G3-1800
Finishes	Anodised silver RAL colours Timber effect		Anodised silver	
Frame head	48mm		As door	



For full technical product information, visit www.shp.help/tech

	SURECLOSE (SURE-S87)	SURECLOSE (SURE-S80)	
Door closer description	Standard	Electro-magnetic hold open (75° - 100°)	
EN power size	EN 1 - 4 (adjustable unit)	EN 4	EN 5
Maximum door width	1100 mm**	1100 mm**	1250 mm**
Adjustable closing speed	Y (100° - 15°)	Y (100° - 7°)	
Adjustable latching speed	Y (15° - 0°)	Y (7° - 0°)	
Max opening angle	100° in both directions		
Mechanical backcheck	Y		
Single/double action doors	Y		
Tested to EN1154/1155	Y		
CE marked	Y		
Certifire approved	Y		
Cover plate finishes	Brushed stainless steel (standard) Other (enquire)		
Frame head / door thickness	Hardwood 69 x 119 mm (head) / 54 mm (door)		



* This is the standard / maximum aluminium profiles we supply, not the maximum permitted door leaf size. Please check the Alumax technical manual for details of maximum fire rated leaf sizes.

Only Alumax lengths can be cut to length.

** This is the maximum leaf size based on the power of the spring, not the maximum permitted door leaf size. Please check Alumax+Sureclose technical manual for fire details. Extra large leafs are available with our rapid-install metal frame (Swiftfit).

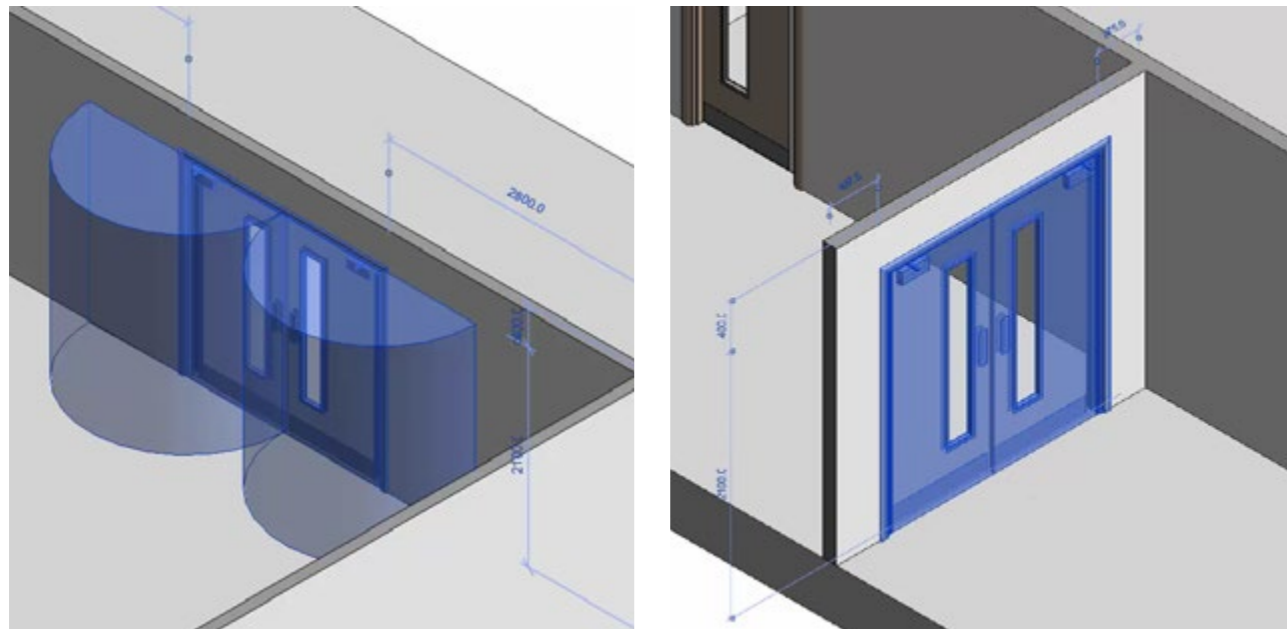
BIM IS HERE

We've spent a long time discovering exactly what our customers want from BIM. And we've also identified numerous potential cost savings throughout the supply chain.

The result is our exclusive BIM models, which simplify the specification process and make it easier to choose from our range of finger guards. They also make it easier to specify a whole doorset – including vision panels and door closers.

These BIM models do all the hard work, saving you time and increasing accuracy during the specification and quoting phase. Our built-in specification checker will also let you know when you've tried to combine components that don't work together, so you get the right result every time.

If you need more help, you can watch our BIM demonstration video or get in touch. We're always happy to lend a hand.



BIM DEMONSTRATION VIDEO

Watch our BIM Revit video www.shp.help/bim

WHAT MAKES OUR MODELS DIFFERENT

Meet the family

We offer three fully editable core door models, which we call 'families'. Each door on your project is recorded as a variation of these 'families', so you can create data efficient models with a reduced file size.

Flexible and quick

The model will help you specify each element of your door and ironmongery package, from door closers and handles to locksets. So you won't waste precious modelling time incorporating manufacturers' components on standard BIM door blanks. Instead, you can stay focused on designing great buildings.

Right on schedule

You can automatically create door and ironmongery schedules from your Revit project.

Height of convenience

Using the structural opening, your BIM model will automatically calculate the clear opening width and height.

MODELLING TIPS

Getting it right

For maximum efficiency, we recommend using consistent structural openings throughout your project. Using leaf sizes over 926mm will mean a larger door core and facings, leading to an increase in price. However, this extra expense is still more cost effective than a slave leaf, which can add additional outlay for both door and ironmongery.

Therefore, we would advise the following:

Get in the swing

Our 3D swing zones automatically update as you change the stop type. This ensures the door will not be taken beyond its maximum opening angle – either by placing the door next to a wall, or switching to Alumini retrofit finger guard that can open up to 180°.

You can't go wrong

Our super-smart active programming reduces the chance of incompatible models. So if you choose a leaf size outside our maximum fire capability*, or a surface mount closer on an anti-barricade door, you'll get an alert flagging up the issue.

Record your delivery partner

This might be the company you've worked with to pull together the doorsets or ironmongery specification.

* This is indicative and should be verified by the delivery partner or direct with Safehinge.

Leaf width	Structural opening
STANDARD UP TO 926mm	UP TO 1000mm
EXTRA-WIDE† UP TO 1105mm	UP TO 1175mm

Sizes based on 32mm jamb and 12mm deep planted stop.

† Note: Fire rated at FD30. For full details of maximum leaf sizes by fire rating, please refer to our technical manuals.



HOW TO SPECIFY AND BUY

We supply our range of finger guards through our nationwide network of architectural ironmongers and door manufacturers.

However, we believe the sum of our partnership is greater than its parts. That's why we still like to take an active role in the specification. And that's why you'll often see us working alongside our door and ironmongery partners in meetings or on specifications.

Our **dedicated** and **flexible** team are always ready to answer your technical calls. Plus, because they're spread across the UK, they can also drop by to show you a working sample. From experience, we know it's the best way to see our products and appreciate their unique safety features close up.

Our door and ironmongery partners can also help you specify and supply a complete doorset solution from one source. This is helpful if you're using an integral finger guard (Alumax), as we strongly recommend it's fitted at the doorset supplier's factory, not on site. In turn, retrofit finger guards (Alumini/Alufast) can only be installed on site, once the doorset has been installed.

To find a suitable supplier, or to check that your regular contact knows our products, please get in touch.

Request product samples or printed brochures

Our range of award-winning finger guards use innovative design and simple engineering to make door hinges safer.

To appreciate them at their best, and to help you make a more informed decision, we offer samples of both our integral and finger-ejecting finger guards.

We can also supply printed copies of this finger guard brochure.

For more information, please contact our Specification Team.



GET IN TOUCH

Because our door is always open, our dedicated customer service team is happy to help with any door and ironmongery specification enquiries.

We can also organise **site visits and product samples**. And because we're product designers first and foremost, we always welcome the chance to discuss any challenges you might be facing — and then set to work resolving them.

Our sales team serves the whole of the UK, so we're always nearby if you fancy a chat. Give our Glasgow HQ a call and we'll arrange for one of our local representatives to drop by and explain things in more detail.

Whatever you need, we look forward to hearing from you.

t 0330 058 0988

e info@safehingeprimera.com

w www.safehingeprimera.com



www.safehingeprimera.com