

ASSURED BATHROOM DOOR TECHNICAL DATA SHEET

Safer. Stronger. More Reliable.



SAFEHINGE PRIMERA[®]
LIFESAVING DETAILS

ASSURED BATHROOM DOOR

PRODUCT OUTLINE

The Assured Bathroom Door is a next-generation bathroom door solution engineered to deliver safer, stronger, and more reliable performance in demanding care environments. Completely redesigned using years of NHS feedback, it combines proven anti-ligature safety with dependable day-to-day durability, controlled load release, and enhanced privacy.

With more than 8,000 doors installed globally, including thousands of units across UK healthcare settings, the Assured Bathroom Door has been developed to help reduce risk while supporting dignity, calmness, and long-term operational confidence. Its proven safe-design approach delivers reliable performance trusted by estates teams, clinicians, and service providers alike.



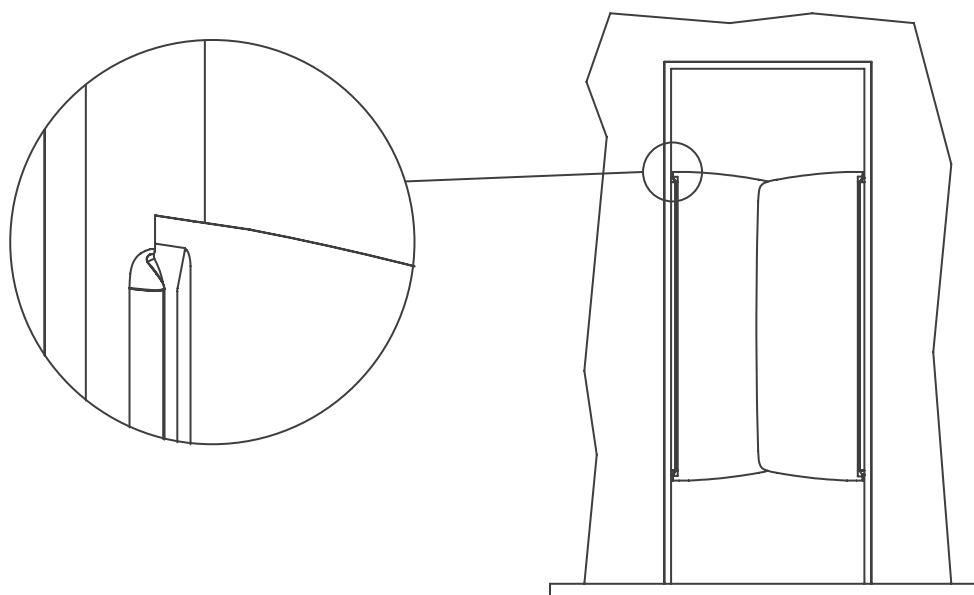
KEY FEATURES

- Completely redesigned attachment system removing nibs for stronger, stay-on performance.
- <10kg load release
- Proven anti-ligature design with zero known ligature points.
- Zero ingestion-risk magnetic system with patented magnetic array.
- Lightweight saloon style design preventing weaponisation.
- Edge-to-edge privacy with new leaf-to-leaf latch and gap-free hinge.
- Foam hinge eliminating rigid edges.
- Four standard sizes plus print-to-order options.

PRODUCT SCOPE

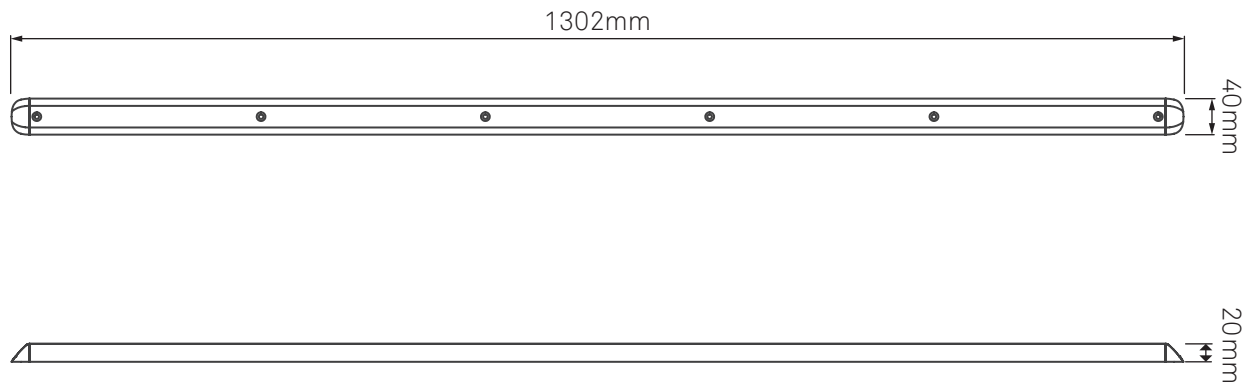
- The Assured Bathroom Door is a load release, saloon style door designed for mental health environments.
- Door Leaves have been tested to the following standards:
 - ASTM E84 - Standard Test Method for Surface Burning Characteristics of Building Materials
 - BS EN 1021-1:2006 Smouldering Cigarette
 - BS EN 1021-2: 2006 Match Flame Equivalent
 - BS 5852: 1982 Part 2
 - BS 7176:2007+A1:2011 Low Hazard
 - BS EN 597-1-1995 Smouldering Cigarette
 - BS EN 597-2: 1995 Match Flame Equivalent
- Mechanical Performance - Safehinge Primera products have been rigorously tested to ensure they are suitable for mental health environments. For more details on the mechanical performance visit www.safehingeprimera.com/resources or contact Safehinge Primera at info@safehingeprimera.com or 0330 058 0988.
- Ligature Performance - The Door Leaves will release at a load of <10kg. It is essential that the product has been installed and maintained as stated in the installation instructions and O&M manual to ensure the ligature performance is met for the lifetime of the product.
- Please be aware that the Wall Mount contains strong magnets. These are securely fixed to the opening and have been thoroughly tested with patient safety in mind to ensure the magnets cannot be accessed once installed. Before installation, it is critical that anyone handling the product is aware of the magnet safety information - SHP document HSN003.

PRODUCT DIAGRAM

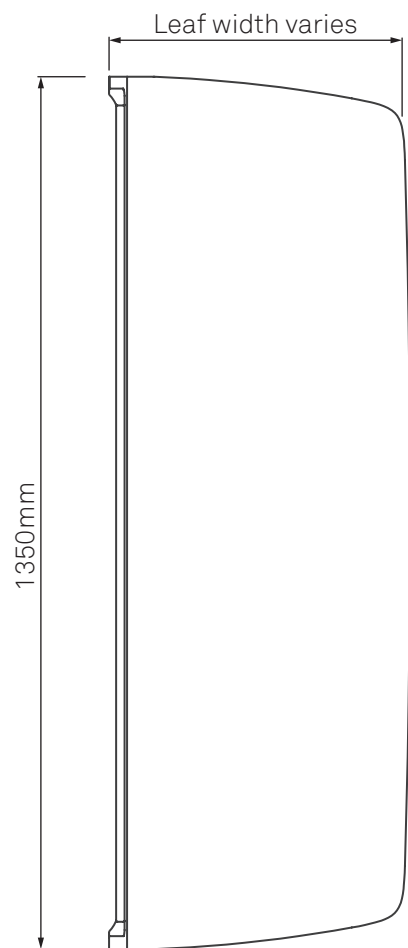


PRODUCT DIAGRAM

Wall Mount



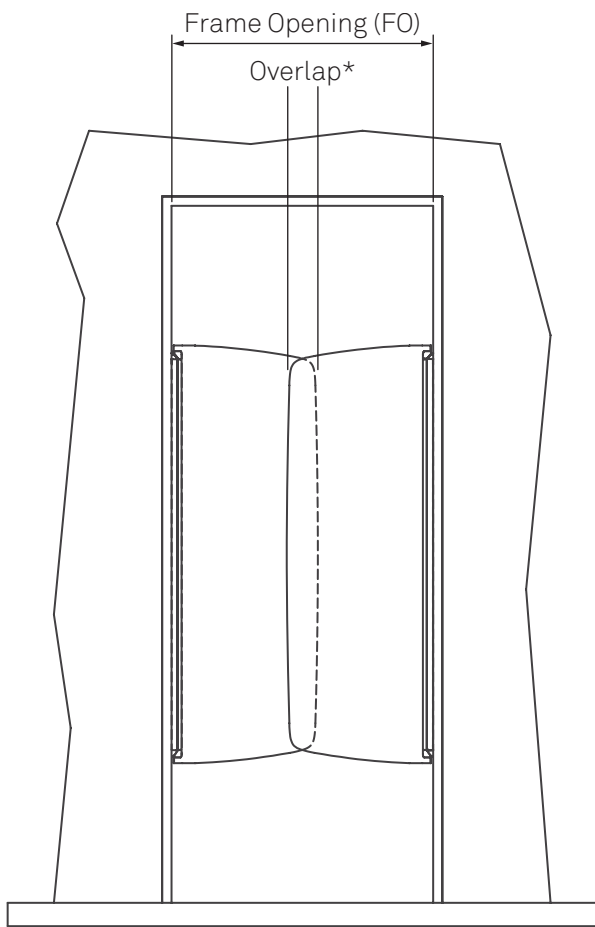
Leaf



See PCD010 - 'Assured Bathroom Door Product Options' for leaf graphics options.

Leaf Size	Narrow	Medium	Wide	Extra Wide
Width Dimension	401mm	465mm	536mm	596mm
Leaf Weight	1.1kg	1.2kg	1.3kg	1.4kg

FRAME OPENING



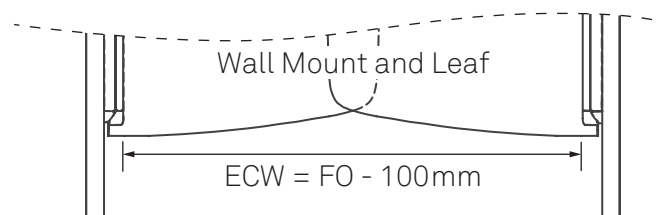
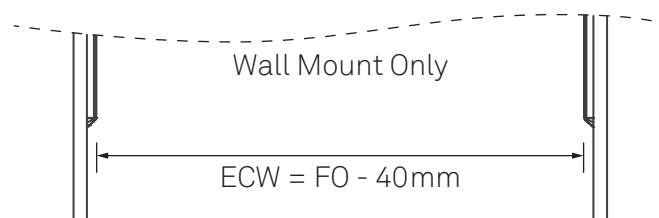
Leaf Size	Min FO	Max FO
Narrow	650mm	734mm
Medium	735mm	864mm
Wide	865mm	1004mm
Extra Wide	1005mm	1124mm

* Overlap will range from 82mm at 'Max FO' to 220mm at 'Min FO'.

We do not recommend an overlap outside of this range.

EFFECTIVE CLEAR WIDTH

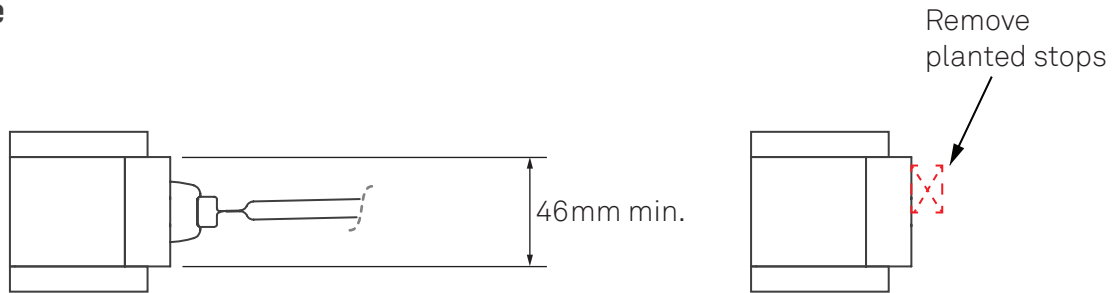
The Effective Clear Width (ECW) is calculated by the Frame Opening (FO) - Wall Mount Depth.



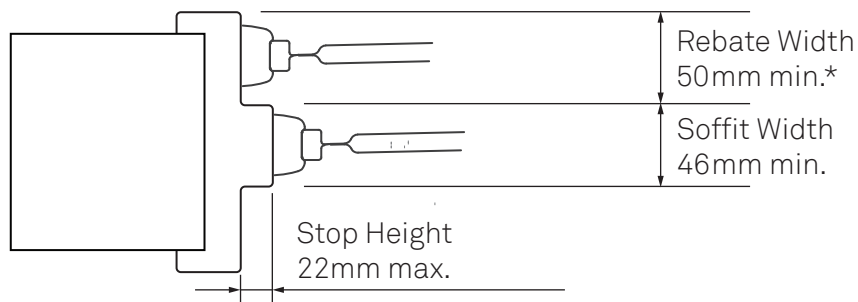
DOOR FRAME CHECK

The Wall Mount can be fitted directly to a door frame which has a minimum width of 46mm, or has a minimum Rebate width of 50mm, or Soffit width of 46mm. The frame surface must be flat to avoid any gaps between frame and pivot.

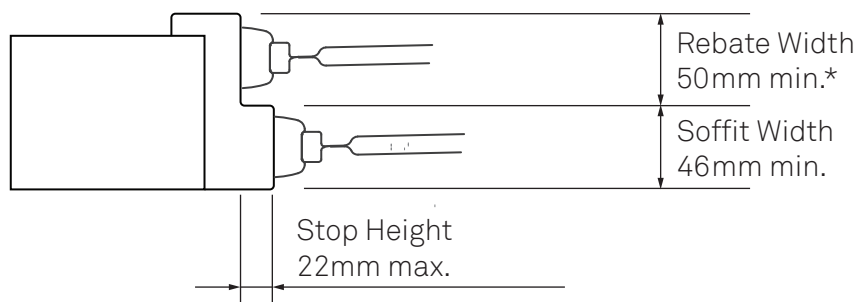
Timber Frame



Steel Frame



*must leave a minimum of 5mm between the Wall Mount and the Soffit.



*must leave a minimum of 5mm between the Wall Mount and the Soffit.

t 0330 058 0988

e info@safehingeprimera.com

w www.safehingeprimera.com

Blackpool Office

Unit 8 Bankfield House

250 Bristol Avenue

Blackpool

FY2 0JF

Glasgow Office

Safehinge Primera

44 Speirs Wharf

Glasgow

G4 9TH