

SYMPHONY^o

ALUMAX, SURECLOSE AND MOVASTOP



**TD027 Symphony Technical and Manufacturing guidelines
January 2026**

**SAFEHINGE^o
PRIMERA**

t 0330 058 0988

e info@safehingeprimera.com

w www.safehingeprimera.com

Use of Technical and Manufacturing Guidelines

These guidelines are for use only by parties expressly and directly authorised by Safehinge Limited or its authorised distributors to (a) evaluate the doorset for potential use and/or manufacture and/or (b) manufacture and maintain the doorset. No other use or disclosure of the guidelines is permitted.

Copyright and Patent

No part of this publication may be reproduced or edited in any form or by any means whether electronic, mechanical, photocopying, recording or otherwise, without Safehinge Limited's prior written permission. This document and all other documentation supplied by or on behalf of Safehinge Ltd are also copyright Safehinge Ltd – all rights are reserved.

The Safehinge doorset is protected by intellectual property rights and is patent protected.

Disclaimer

Other than death or personal injury caused by negligence and other liabilities which may not be excluded or limited by law, Safehinge Ltd excludes any and all liability for (a) failure to follow the guidelines or other technical documentation in any manner; and/or (b) defective or inaccurate manufacture, installation and/or maintenance of the doorset and/or any of its components.

Contents

Welcome	4
Symphony - overview	4
Product Summary	5
Third party certification	6
Please read - Key Features - At a Glance.....	7
What's in the Symphony Kit?	8
Symphony Doorset Dimensions - Single doors	9
Symphony Doorset Dimensions - Double doors	10
FD30 Fire Performance	11
Lorient Polyproducts - FD30 Maximum Leaf Sizes	11
FD60 Fire Performance	12
Lorient Polyproducts - FD60 Maximum Leaf Sizes	12
Symphony Doorset Specification	13
30 & 60 minute fire door core options	14
FD30 & FD60 Seal Specification	15
Symphony Manufacturing Guidelines	16
Frame Specification - Anti-barricade Single Doors with Movastop.....	16
Frame Specification - Single acting single and Double Doors	17
Frame Specification - Double acting single and Double Doors	18
Frame Features and Details	19
Frame Features and Details - Movastop	20
Lipping Specification.....	21
Door to frame and floor gaps.....	22
Door Leaf Rebate & Mortice Details	23
Floor Pivot Positioning.....	28
Undercuts & Floor Pivot Adjustment	29
Opening Angle Limits.....	30

TIP
Click on "page
references" in
this PDF - to
jump to page!



Project: Birmingham & Solihull Mental Health NHS Trust

Welcome

Welcome to the Safehinge Primera Symphony Technical and Manufacturing Guidelines.

We hope you will find these guidelines easy to use and helpful. This document is laid out as follows:

1) Technical Manual

This section focuses on the fire performance capabilities. As a specifier you'll find out what you can achieve with Safehinge Primera Symphony and how to do it.²

2) Manufacturing Guidelines

These sections focus on manufacturing details including doorset sections, rebates and mortices. A must read to ensure compliance.

Installation Instructions are available as a separate download. These contains all the necessary factory fit and on site installation processes.

Symphony - overview

When it comes to protecting the most vulnerable members of society, both safety and a focus on recovery are of paramount importance.

That's why we developed Symphony for the challenging **mental health environment** to be anti-ligature and anti-barricade, reducing the risk of self-harm and injury. Because we refused to compromise on quality, our products offer the same discreet design and durability as always. Plus they're fire rated and thoroughly tested to the highest standards, ensuring ultimate protection for staff and service users.

Symphony is unique because it's the first product package to solve the many issues related to mental health doorsets. And we made it because our customers said they wanted a no-compromise door system that covered every angle when it came to safety and recovery.

SYMPHONY

Product Summary

Symphony is a tailor-made, fully coordinated door safety system comprising:

- 1) **Surehinge / Alumax ALU60** - safe door pivot system
- 2) **Sureclose** - concealed transom door closer
- 3) **Movastop** - anti-barricade removable doorstop

Surehinge is the mental health derivative of the Alumax ALU60 product - the same pivot system with anti-ligature washers are anti-tamper fixings.

Suitable for door type

Single and double leaf; single / double swing and anti-barricade doors.

54 mm door thickness (primary test evidence generated with Blankfort and Moralt door cores)

Fire/smoke FD30, FD30 (S), FD60, FD60 (S) rating

Surehinge / Alumax ALU60 Finishes

(aluminium edge profile)

- Satin anodised as standard
- Oak Timber effect
- Powder coat (any RAL colour) available upon request

2.1m and 2.7m standard supply lengths.

Movastop - Finishes (door stop)

- White Powdercoat as standard (RAL9016)
- Wood and powder coat Special finishes available upon request



Sureclose - Closer Type

Sureclose S87 (EN 2 - 5 (adjustable unit))

Sureclose S80-EMB EN4 (Electromagnetic hold open EN4)

Sureclose S80-EMB EN5 (Electromagnetic hold open EN5)

Sureclose S80F EN4 (Free swing closer)

Note: 'EN' refers to power rating



Third party certification

This document is largely governed by the Warrington Fire Field of Application (FoA) A12005 commissioned by Safehinge Primera which relates to the fire resistance only of 30 and 60 minute proprietary fire resisting, timber framed doorset designs fitted with the Alumax hinge system.

 <p>Proud to be part of </p>	<p>High Wycombe Office: Chiltern House, Stocking Lane, High Wycombe, HP14 4ND, United Kingdom T: +44 (0)1494 569750 W: www.warringtonfire.com</p>
--	---

Title

Field of Application for:
Safehinge™ Alumax
combined with Timber
Frames
30 and 60 Minutes Fire Resistance
Performance

Report No.:

Chilt/A12005

Issue Date:

Valid Until:

Job Reference:

Prepared for:

Safehinge Primera
44 Speirs Wharf
Glasgow
G4 9TH
United Kingdom

This document will be kept up-to-date with A12005 revisions or revalidation.

In A12005, Symphony is referred to as Doorset System type 3 - Alumax ALU60 and Transom Closer - 54mm doors

If the Symphony doorsets are required to be Third Party Certified, it is the responsibility of the door manufacturer to request permission to add A12005 onto their manufacturing scope, guided by the specific requirements of the relevant third part certification scheme - Eg. Q-mark, Certifire, Blue Sky, IFC.

The details for the construction of an Alumax doorset must be taken from A12005. Other Referenced FoAs should only be consulted if the doorset feature is not covered by A12005.

Installation of any third party certified doorset must be installed by qualified persons who are certified by the same certification scheme as the manufactured doorset. It is the responsibility of the manufacturer to provide installation instructions.

For example; the perimeter intumescent specifications are restricted to those prescribed in A12005

Please note, A12005 covers fire performance only. For smoke performance, refer to Approved Document B, BS 8214 and BS 9999.

Please read - Key Features - At a Glance



Whilst we strongly recommend reading this document in full, here are some key points when specifying / working with Safehinge Primera Symphony:

**** Closer type ****

The Symphony package is available with standard, free swing or electro-magnetic hold open closers.

**** Door core/blank****

54 mm only (for FD30 and FD60 rating)
Halspan IT60/XT60 or Moralt Firesmoke 54 are recommended for all applications, mental health in particular.

**** Frame head - size ****

Sureclose requires a transom closer to be machined into the frame head. This results in a larger frame head section (69 x 119 mm minimum) than typical. See page 16 onwards for details.

**** Opening angle - limit to 100° ****

We strongly recommend you restrict the opening angle of Symphony doors to 100° in normal use as they have a maximum opening angle of 110°. See page 30.

****Double doors - Single swing or double swing? ****

Leaves must not be proud of each other by more than 1mm. For unlatched, fire and smoke rated doors, we recommend single swing.

**** L-bracket recommended****

We always recommend using the L-bracket for ease of fitting on-site. See page 28.

**** Underfloor heating - plan ahead ****

The mass of the door is primarily supported by the floor - please account for this at the design stage, page 29. We recommend using the L-bracket bottom pivot. Please ensure heating pipes are gathered to centre of

structural opening / doorway and clear of both frame jambs by at least 200 mm to allow for fixing.

**** Frame features - need to be accurate ****

The anti-ligature and safety functions of Symphony doorsets means attention to detail is required when it comes to some specific frame features. See page 19.

**** Clearance underneath door - plan ahead ****

The maximum threshold gap for fire performance is 8mm. Do you need a standard or long stem bearing to achieve your desired clearance under the door? See page 29.

**** Anti-barricade requirement****

Does the project have any doors that require a door stop and therefore the inclusion of Movastop? See frame specification on page 16

**** Are you using cores, frame materials & intumescent consistent with Safehinge test evidence? ****

Symphony timber frame test evidence was primarily generated with Blankfort and Moralt cores, hardwood frames and Lorient intumescent. We believe these materials are best suited to demands of the mental health market.

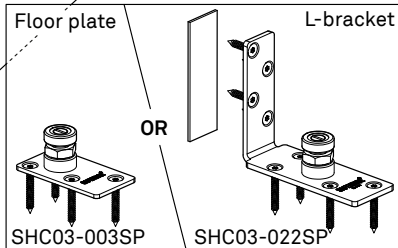
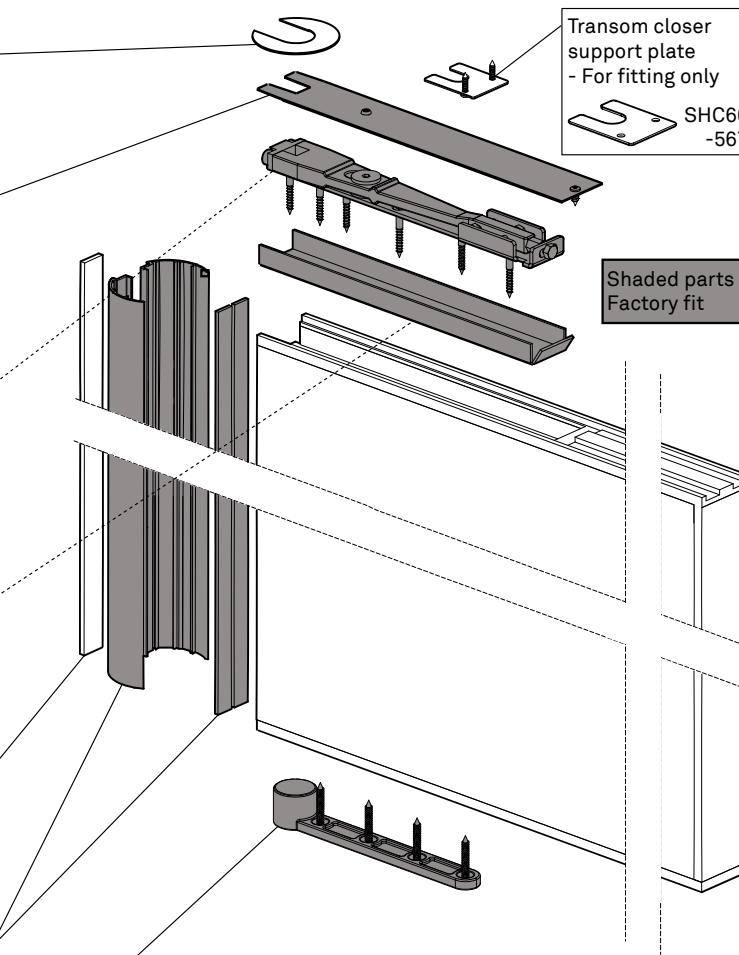
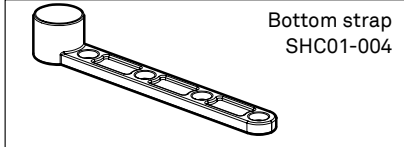
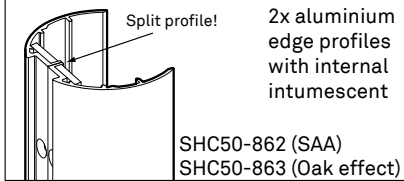
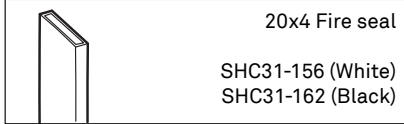
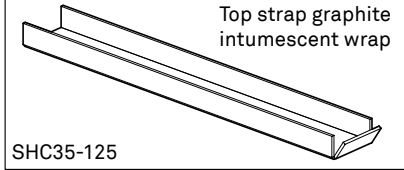
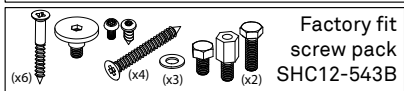
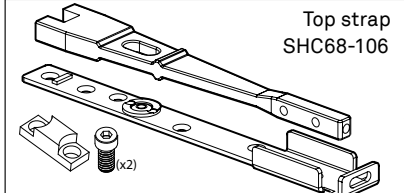
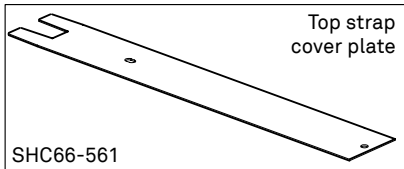
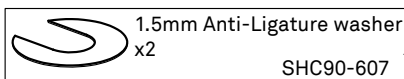
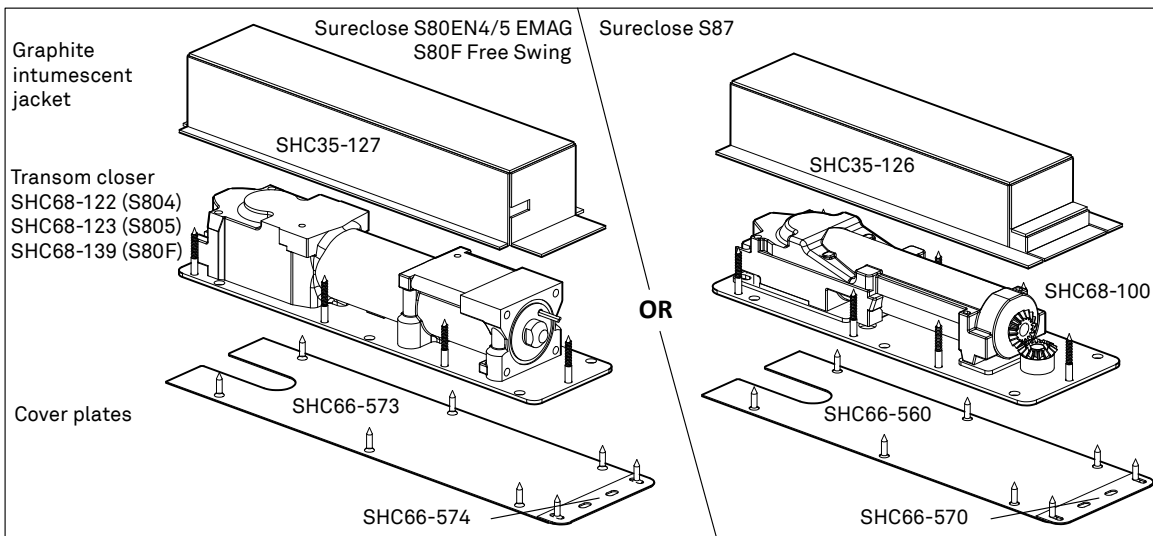
**** Concentric ****

The pivot centre on the door and the rounded aluminium edge profile must always be concentric. Follow mortice / rebate details on page 23 onwards.

**** The Safehinge doorset is protected by intellectual property rights. Patent protection and design rights apply ****

What's in the Symphony Kit?

Product component breakdown, excluding Movastop

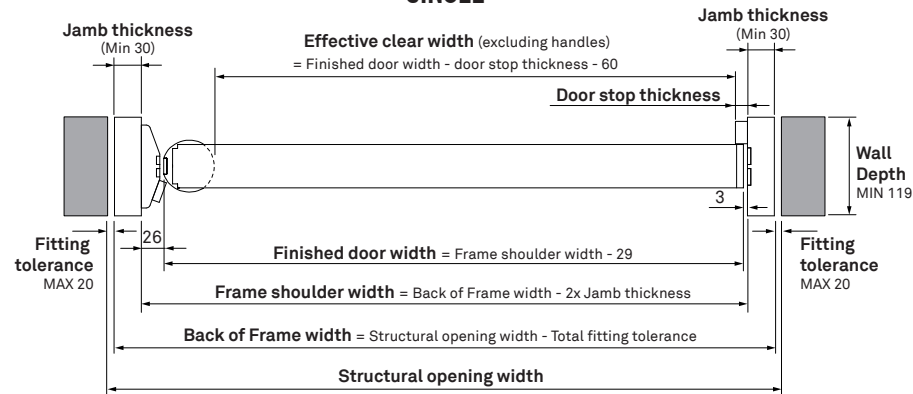


*Available to order, not supplied as standard.

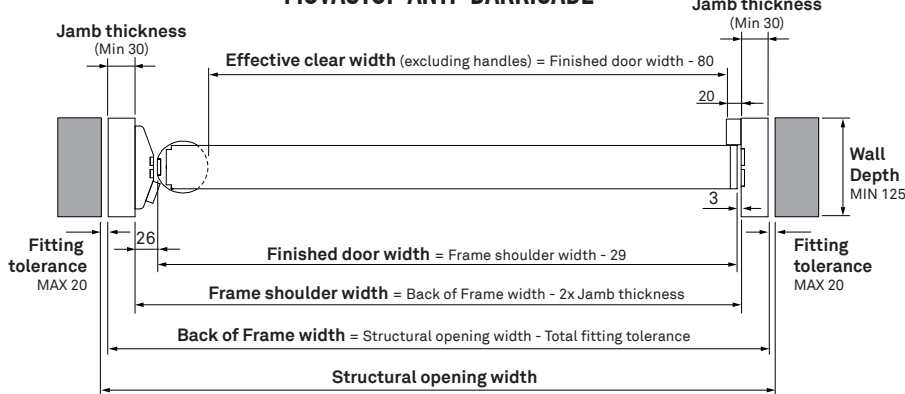
Symphony Doorset Dimensions - Single doors

The guide below will help you work out the overall doorset dimensions.

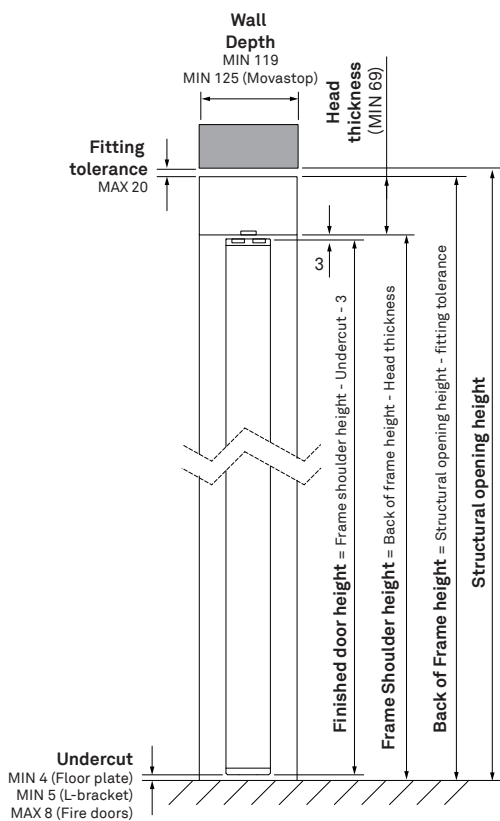
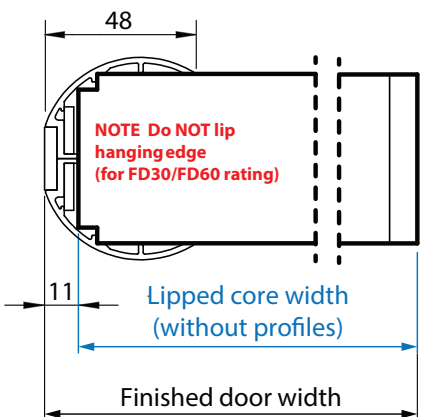
SINGLE



MOVASTOP ANTI-BARRICADE



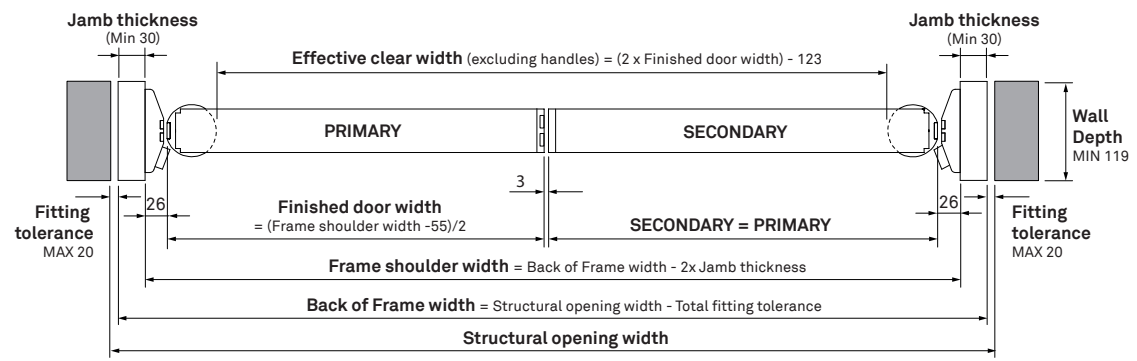
IMPORTANT
The aluminium profiles add 11mm onto the total width of the door. The calculations above are inclusive of the aluminium profiles



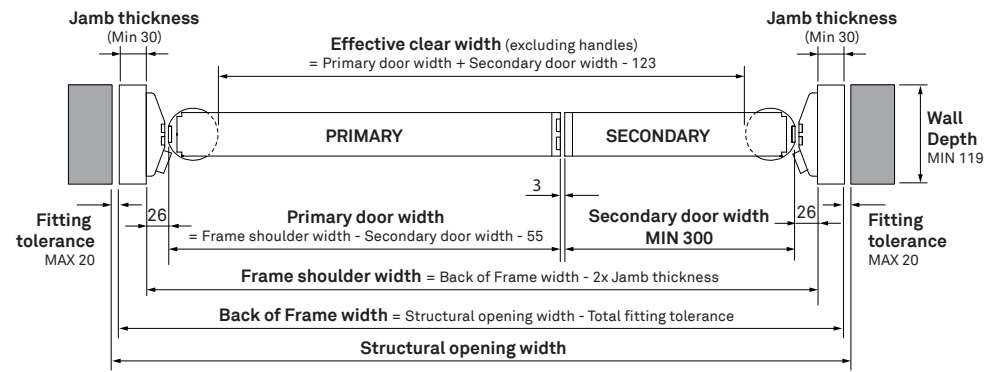
Symphony Doorset Dimensions - Double doors

The guide below will help you work out the overall doorset dimensions.

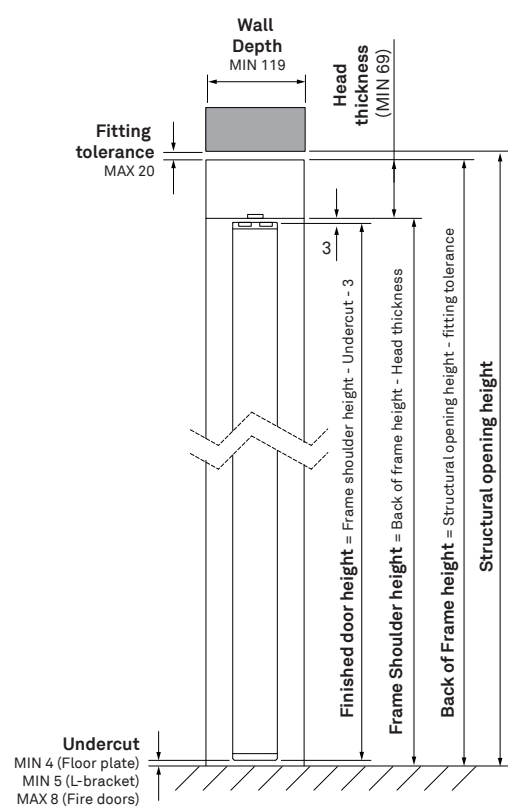
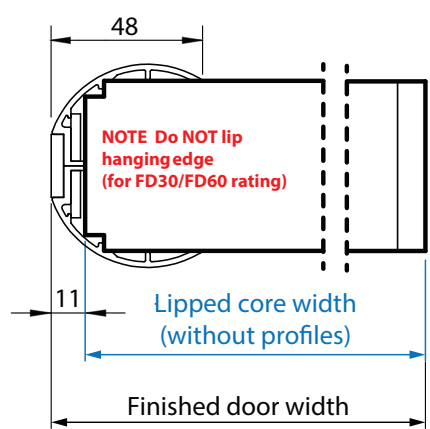
EQUAL PAIR



UN-EQUAL PAIR



IMPORTANT
The aluminium profiles add 11mm onto the total width of the door. The calculations above are inclusive of the aluminium profiles



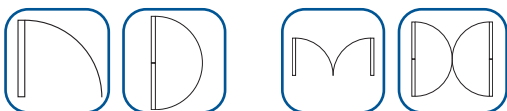
FD30 Fire Performance



Lorient Polyproducts - FD30 Maximum Leaf Sizes

NOTE: 54 mm core must be used for mechanical duty (even for FD30 performance).

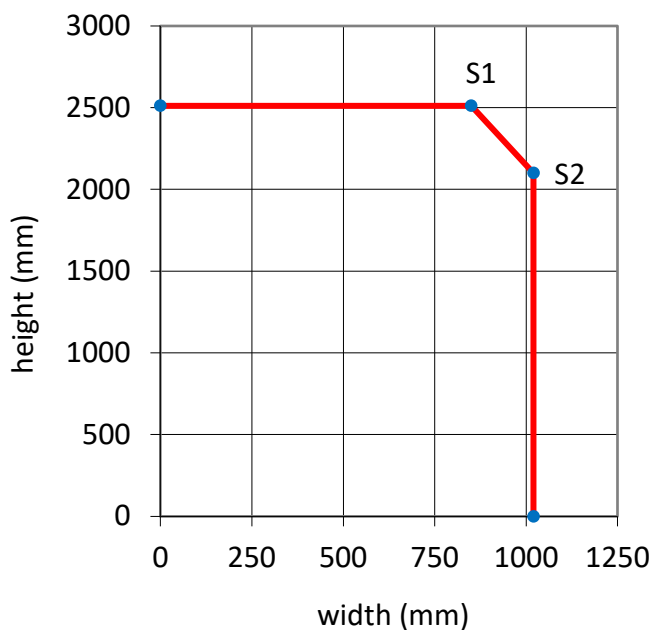
Latched or unlatched, single or double acting, single or double leaf



NOTE: Leaf sizes shown are for Alumax with Sureclose. For standard Alumax leaf sizes - see TD018 Alumax Technical & Manufacturing Manual.

	S1	S2
W	850	1020
H	2512	2100

Minimum Leaf width for all configurations 300mm





FD60 Fire Performance

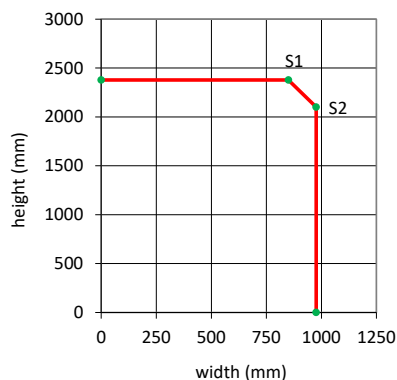
Lorient Polyproducts - FD60 Maximum Leaf Sizes

NOTE: Leaf sizes shown are for Alumax with Sureclose. For standard Alumax leaf sizes - see TD018 Alumax Technical & Manufacturing Manual.

Latched, single or double acting, single leaf



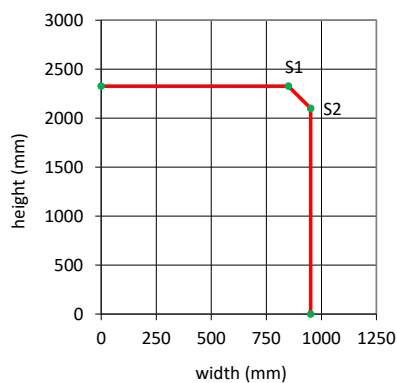
	S1	S2
W	850	976
H	2377	2100



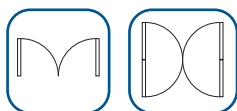
Unlatched, single or double acting, single leaf



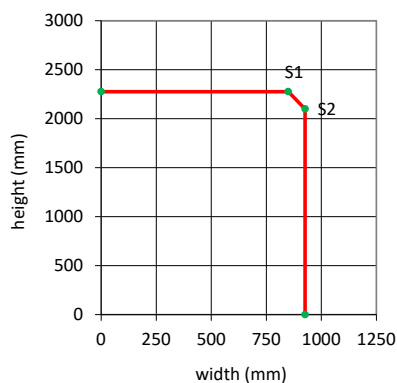
	S1	S2
W	850	951
H	2327	2100



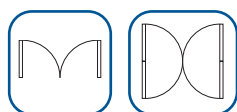
Latched, single or double acting, double leaf



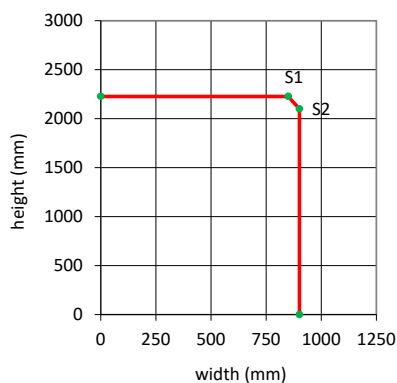
	S1	S2
W	850	926
H	2277	2100



Unlatched, single or double acting, double leaf



	S1	S2
W	850	901
H	2227	2100



Minimum Leaf width for all configurations 300mm

Symphony Doorset Specification



Door core/blank

54 mm only (for FD30 and FD60 rating)
 Halspan IT60/XT60 and Moralt Firesmoke 54 recommended for mental health market
 Others cores permitted within Chilt/A12005 - see page 14. If an alternative core is used, it is the responsibility of the specifier to underwrite mechanical performance.

Frame

Hardwood minimum density 640 kg/m³
 Minimum sections excluding stops: 119 x 69 mm (head);
 119 x 30 mm (jambs)

Head/jamb joint: Half Lapped, Mitre, Mortice & Tenon, Butt, Trenched. The door frame joints are required to be tight, with no gaps, and require mechanical fixing with the appropriate size ring shank nails or screws. Frame joints may additionally be reinforced with any of the following adhesives - RF, UF, PU or PUR

We recommend horizontal butt joint as this accommodates the mortice detail in the frame head most readily.

Stops

For fixed stops: machined from hardwood; screwed (anti-tamper) and pelleted (recommended) or pinned and glued.

For emergency release: Movastop (from Safehinge Primera).

Lipping

Hardwood minimum density 640 kg/m³
 Flat section - (details - see page 21).
 No lipping on hanging edge (for fire rating).

Gluelines

RF, UF, PU or PUR

Intumescent/smoke seal

NOTE: frame and door head seals to be procured by door manufacturer from Lorient. See "Table 1" on page 15.

Door - hanging edge seals (supplied by Safehinge):
 20x4 PVC-cased Type 617 (white)
 2No. 15x3 GPF graphite strip (Pre fitted behind each aluminium profile)

Ironmongery intumescent (supplied by Safehinge):
 Lorient RL type graphite gasket wrap (for transom closer)
 Dual pocket graphite (bottom strap)
 Graphite gasket wrap (top strap)
 2No. L-bracket intumescent upstand pads

Finishes

Paint (maximum 0.2mm thickness)
 Timber veneers/Plasticlaminates/PVC laminate (maximum 2 mm thickness)*
 Cellulosic and non-metallic foils (maximum 0.4mm thickness)

*Caution - For Fire rating, the door core can only be reduced in thickness by 0.5mm each side. It is recommended that the finished door thickness is 54mm.

Glazing

For conventional glazing applications (a single pane of glass mounted on the centreline of the leaf thickness) the full range of leaf glazing options is linked to the particular door core selected. Refer to the relevant door core FoA to establish options.

Multipane vision panels are permitted for use with certain core options with 30 or 60 minute performance. See page 14 for further details.

30 & 60 minute fire door core options



54mm Door core options

The matrix below shows the core options and permitted doorset configurations.

Core reference # as per Chilt/ A12005		n		m		D		DD	
		FD30 AND FD60							
		LSASD	ULSASD	LSADD	ULSADD	LDASD	ULDASD	LDADD	ULDADD
4	Halspan XT 60	Yes	Yes	Yes	Yes	Yes	Yes	Yes	Yes
5	Halspan IT 60	Yes	Yes	Yes	Yes	Yes	Yes	Yes	Yes
6	Halspan Optima 60	Yes	Yes	Yes	Yes	Yes	Yes	Yes	Yes
7	Halspan Prima 60	Yes	Yes	Yes	Yes	Yes	Yes	Yes	Yes
8	Falcon Strebord 54	Yes	Yes	Yes	Yes	Yes	Yes	Yes	Yes
9	Moralt Laminesse Firesmoke 54	Yes	Yes	Yes	Yes	Yes	Yes	Yes	Yes

LSASD	Latched Single Acting Single Doorset
ULSASD	Unlatched Single Acting Single Doorset
LSADD	Latched Single Acting Double Doorset
ULSADD	Unlatched Single Acting Double Doorset
LDASD	Latched Double Acting Single Doorset
ULDASD	Unlatched Double Acting Single Doorset
LDADD	Latched Double Acting Double Doorset
ULDADD	Unlatched Double Acting Double Doorset

IMPORTANT
Halspan IT60/XT60 and Moralt Firesmoke 54 recommended for mental health market

Multi-pane vision panel options

The matrix below shows which vision panels can be used in Symphony doors

Vision panel are typically required in mental health applications where observations are required through the door. The panels generally offer privacy via obscured banding and options on operation on one or both sides. The options permitted with ALU60 doors from the following ranges: -

		All vision panel options	Sureview 36mm Pyroswiss designs only
		FD30	FD60
		4	Halspan XT 60
5	Halspan IT 60	Yes	Yes
6	Halspan Optima 60	No	No
7	Halspan Prima 60	No	No
8	Falcon Strebord 54 Doorsets	No	No
9	Moralt Laminesse Firesmoke 54	Yes	Yes

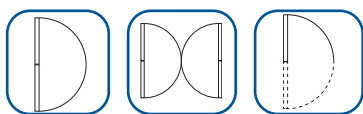
Safehinge Primera - Sureview

Vistamatic - Vista Safe

FD30 & FD60 Seal Specification



Single/Double Doors (Double Acting / Single Acting with Emergency Release)



Please see below for the required seal specification when manufacturing a Symphony doorset, as outlined in Chilt/A12005. Seal specification is the same for FD30 and FD60 (only the leaf sizes permitted change).

		Single Leaf seal positions						
		(See page 16-17)						
		Frame	Door head			Hanging jamb		Closing jamb
		A	B	C	D	E	F	G
Rating	Fire & smoke	20x4 LP2004 Type 617	15x4 LP1504DS Type 617	15x4 LP1504 Type 617	10x4 LP1004DS Type 617	10x4 LP1004 Type 617	20x4 LP2004DS Type 617	Same as A
	Fire only	20x4 LP2004 Type 617	15x4 LP1504 Type 617	Same as B	10x4 LP1004 Type 617	Same as D	Same as A	Same as A
Position	Single & Double acting	Fit A central to door	Fit B and C spaced 15mm central to door		Fit D and E spaced 5mm central to door		Fit F and G spaced 5mm central to door	

		Double leaf		Threshold
		(See page 16-17)		
		Meeting Stile		
		H	I	
Rating	Fire & smoke	15x4 LP1504DS Type 617	15x4 LP1504 Type 617	Refer to BS8214:2016
	Fire only	15x4 LP1504 Type 617	Same as H	N/A
Position	Single & Double acting	Fit H and I spaced 10mm central to door		

IMPORTANT

As a pivot system supplier, we cannot certify the smoke compliance of third-party doorsets; recommended smoke seals are based solely on their performance in specific fire tests.

Table 1

NOTE: Safehinge supply seals that are in direct contact with the ironmongery components supplied as part of the Symphony kit. The door manufacturer is responsible for procurement of all intumescent seals for the frame/door.

Symphony Manufacturing Guidelines

Frame Specification - Anti-barricade Single Doors with Movastop

E.g. "Anti-barricade bedroom door"

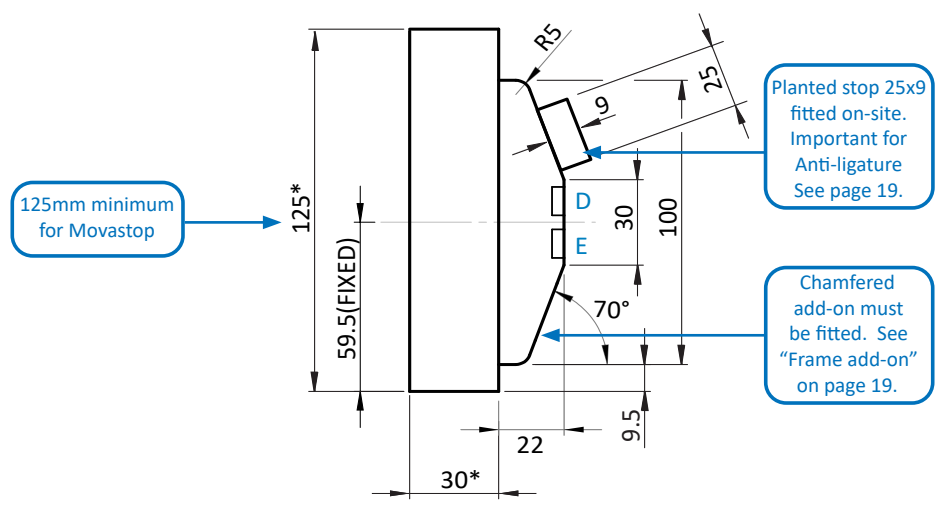
Single swing normal operation with emergency release

Asterisk (*) indicates the minimum permitted size.

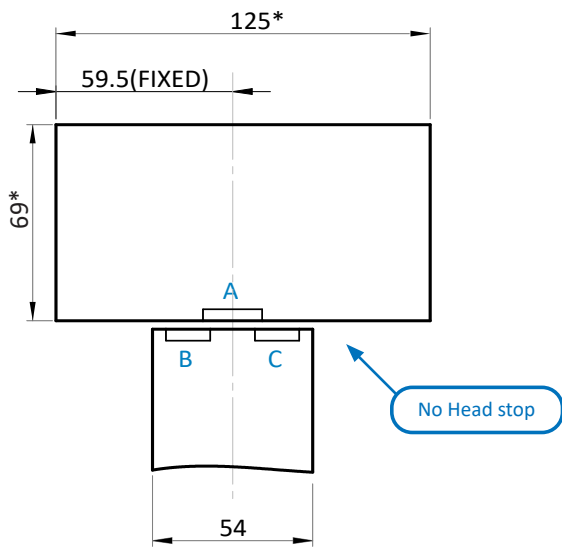


Hanging Jamb

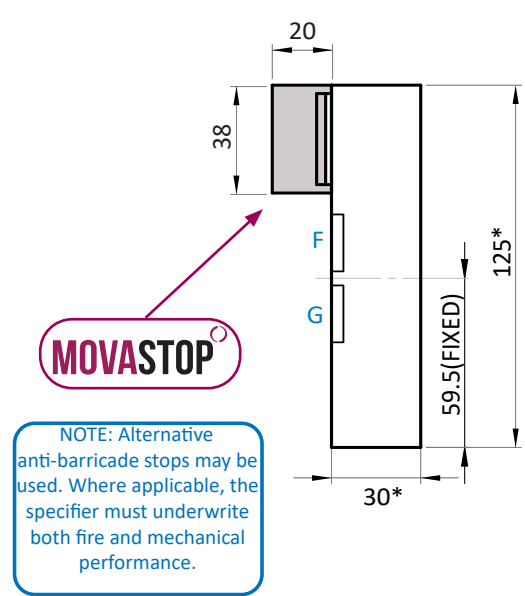
Seal spec - See "Table 1" on page 15.



Frame Head



Closing Jamb



Permitted frame materials (FD30 & FD60): Hardwood minimum density 640 kg/m³.

Head/jamb joint: we recommend horizontal butt joint with screw fixings and non-thermally softening adhesive (e.g. RF, UF, PU or PUR). This joint arrangement accommodates the mortice detail in the frame head most readily.

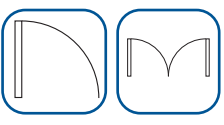
For Anti-barricade configurations, avoid using double sided strike plates.

Frame Specification - Single acting single and Double Doors

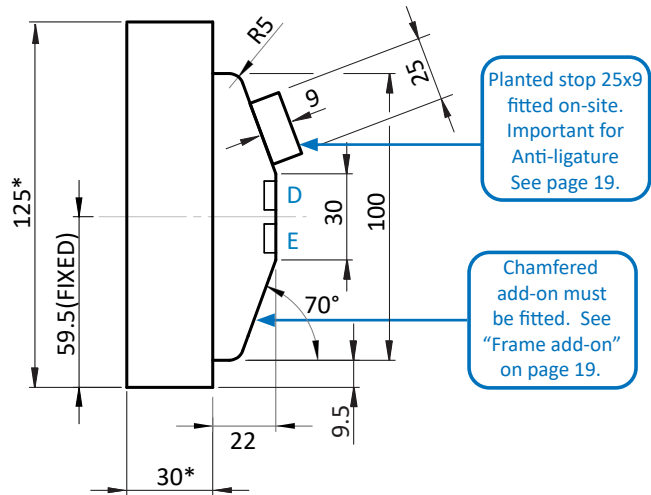
E.g. "Communal door"

Double swing normal operation

Asterisk (*) indicates the minimum recommended size.



Hanging Jamb

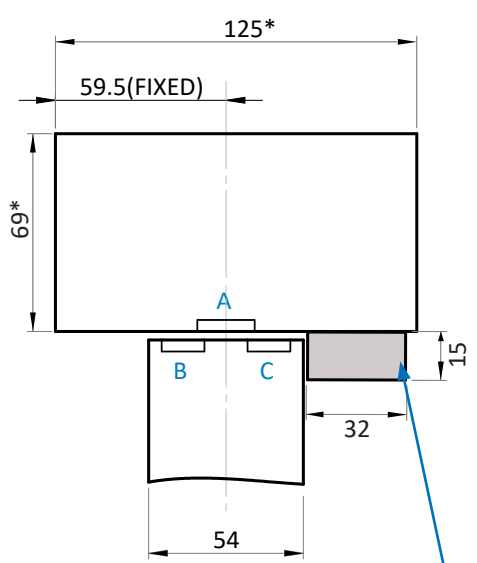


Planted stop 25x9 fitted on-site. Important for Anti-ligature See page 19.

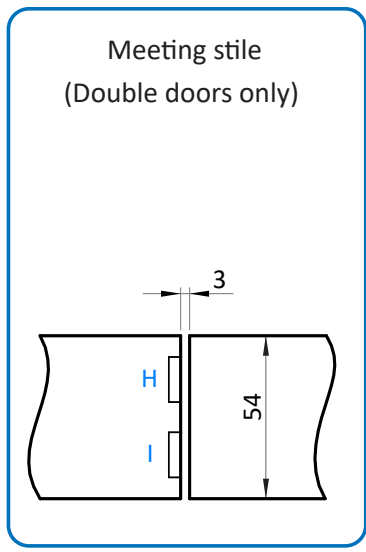
Chamfered add-on must be fitted. See "Frame add-on" on page 19.

Seal spec - See "Table 1" on page 15.

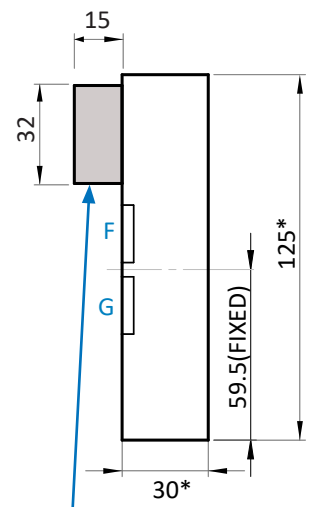
Frame Head



Partial Head stop essential for double doors. The stop must not pass across the transom closer/s. Stop dimensions can vary



Closing Jamb



Closing jamb stop essential for single doors. A partial head stop is optional. Stop dimensions can vary

Permitted frame materials (FD30 & FD60): Hardwood minimum density 640 kg/m³.

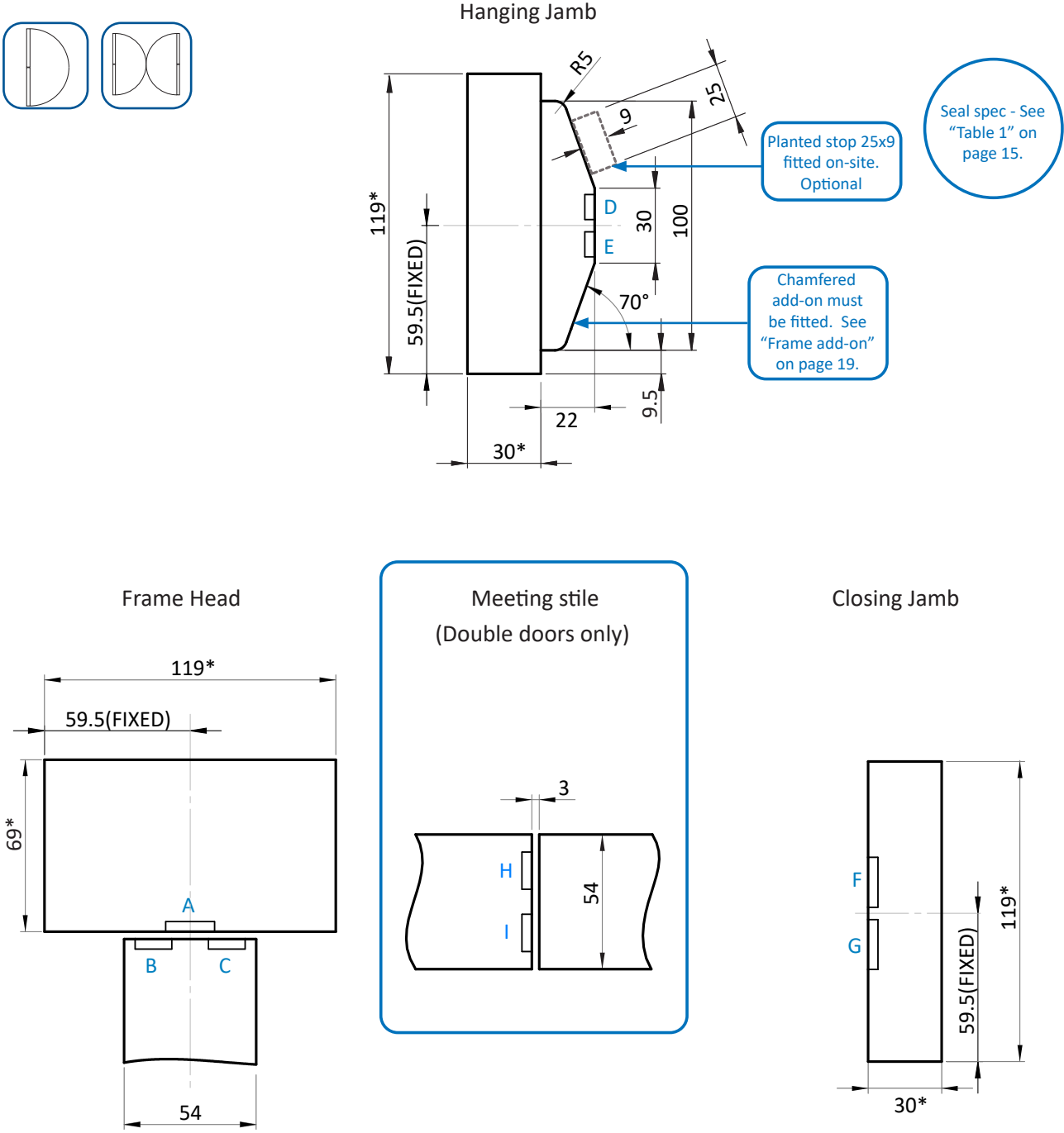
Head/jamb joint: we recommend horizontal butt joint with screw fixings and non-thermally softening adhesive (e.g. RF, UF, PU or PUR). This joint arrangement accommodates the mortice detail in the frame head most readily.

Frame Specification - Double acting single and Double Doors

E.g. "Cross-corridor"

Note: Double swing doors are rare in mental health, but where they are needed, careful consideration should be given to the opening angle restriction in both directions. Leaves must not be proud of each other by more than 1mm. For unlatched, fire and smoke rated doors, we recommend single swing.

Asterisk (*) indicates the minimum recommended size.



Permitted frame materials (FD30 & FD60): Hardwood minimum density 640 kg/m³.

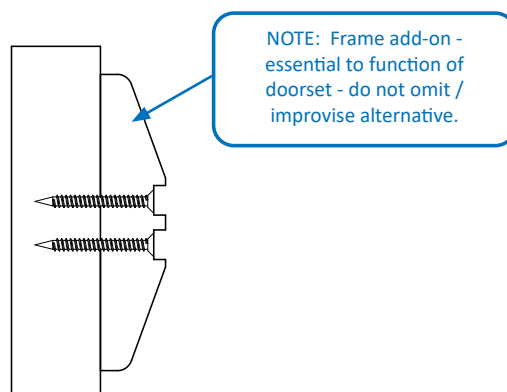
Head/jamb joint: we recommend horizontal butt joint with screw fixings and non-thermally softening adhesive (e.g. RF, UF, PU or PUR). This joint arrangement accommodates the mortice detail in the frame head most readily.

Frame Features and Details

NOTE: For all exposed joinery fixings security screws are recommended; screwed and pelleted or as per mental health trust guidelines.

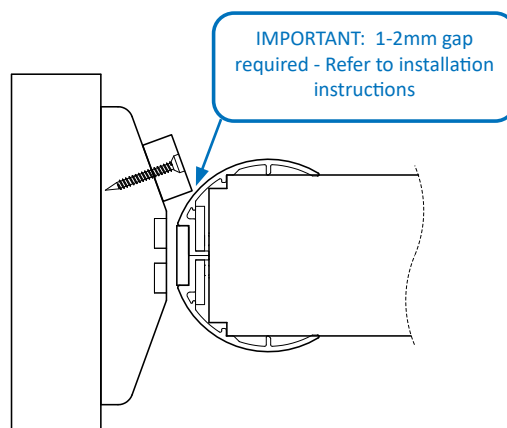
Frame add-on

- Allows for correct opening angle of door (100°)
- Prevents transom closer undercutting jamb.
- Enables correct installation sequence.
- Length equals internal frame shoulder height.
- Machined from hardwood; recommended to be screwed to the hanging jamb through intumescent rebates.
- Site fit recommended as frame fixings can be hidden.



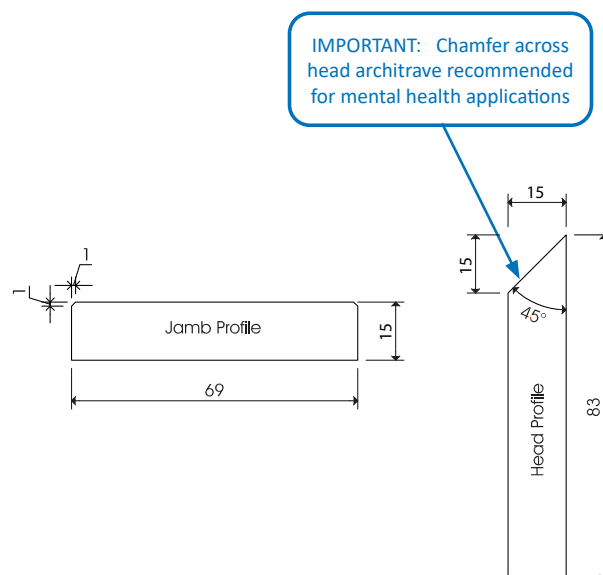
Planted door stop

- This stop is recommended for 100° regular operation – 90° emergency release (i.e. bedroom door).
- 1mm minimum gap to the aluminium profile to ensure the frame intumescent will expand in the event of fire.
- 2mm Maximum gap to the aluminium profile - *important* - minimises ligature risk and reduces light leakage (see right).
- To achieve the correct gap from the aluminium profile, the door stop should be fitted after the door is hung and in the closed position.
- Length equals internal frame shoulder height.



Architraves / Facings

- Drawings show recommended sections.
- Chamfer across head architrave recommended for mental health applications.
- Machined from hardwood.
- Minimum 15mm thickness for fire performance.
- Supplied loose, cut to length and fitted on site.
- Guidance for methods of sealing the frame to structural opening gap is also given in BS 8214:2016, "Timber-based fire door assemblies. Code of practice" which may be referred to and implemented where appropriate.

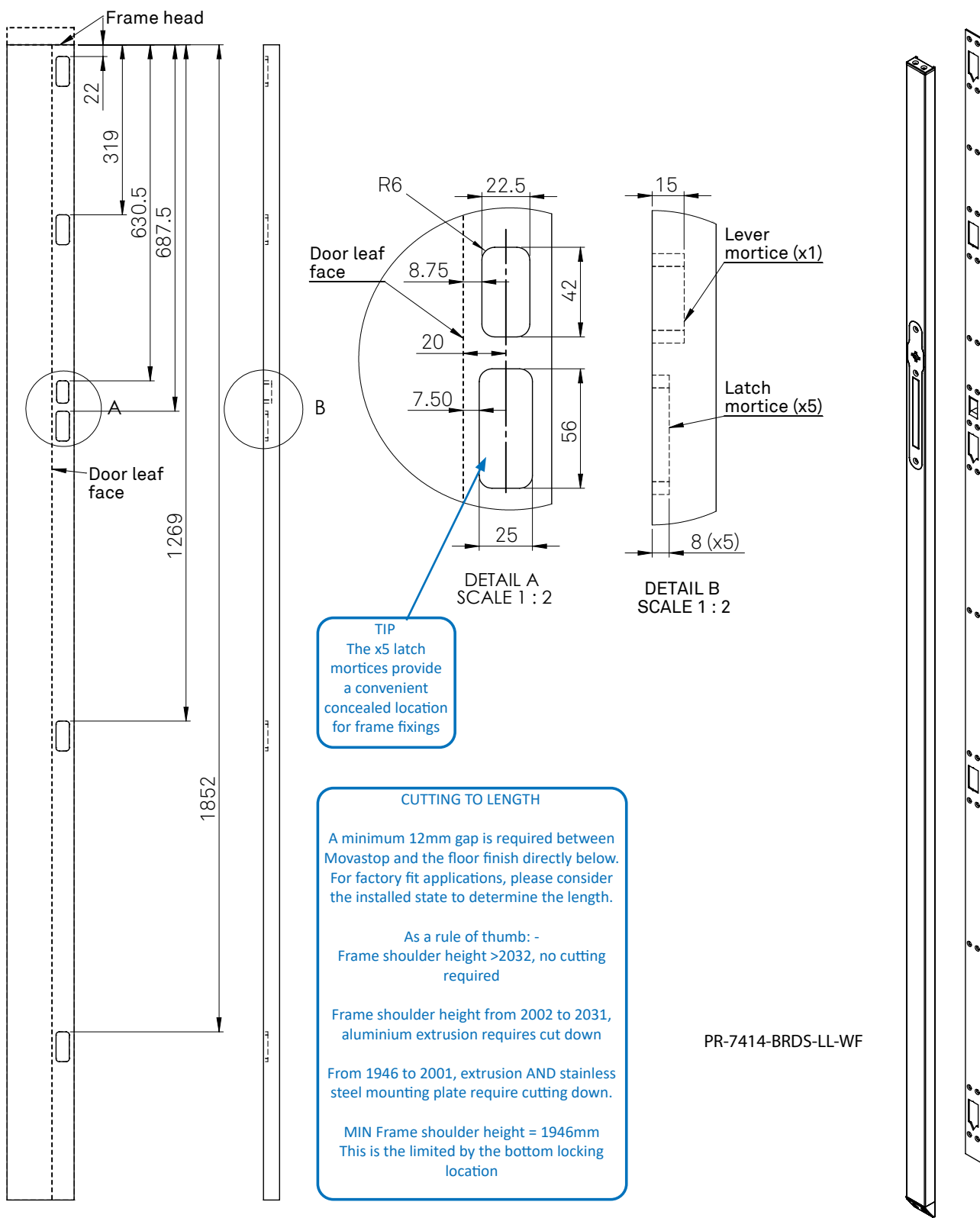


Strike plate compatibility

- Due to the 59.5mm offset door centre line, an extended strike will be required.
- When using Safehinge Primera locksets, contact us for further information.

Frame Features and Details - Movastop

Movastop is supplied in a standard length of 2020mm. It is supplied with fixings, Lifeline keys sold separately. The diagram below explains the mortice requirements on the closing jamb. Refer to the Movastop fitting guide for further information.



TIP
The x5 latch mortices provide a convenient concealed location for frame fixings

CUTTING TO LENGTH

A minimum 12mm gap is required between Movastop and the floor finish directly below. For factory fit applications, please consider the installed state to determine the length.

As a rule of thumb: -
Frame shoulder height >2032, no cutting required

Frame shoulder height from 2002 to 2031, aluminium extrusion requires cut down

From 1946 to 2001, extrusion AND stainless steel mounting plate require cutting down.

MIN Frame shoulder height = 1946mm
This is limited by the bottom locking location

PR-7414-BRDS-LL-WF

Lipping Specification

The recommended lipping sections sizes for 54mm door blanks are shown below.

Particle Board cores (Not recommended)

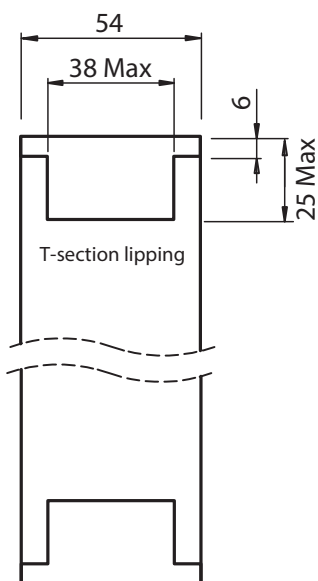
Halspan Prima 60
Halspan Optima 60



Solid Timber Cores

Halspan XT 60
Halspan IT 60
Moralt Laminesse Firesmoke 54

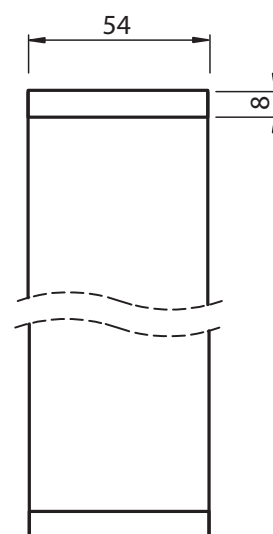
Door top and bottom



TIP
1 or 2-piece T-section lipping is essential to ensure mechanical stability of doorset when using particleboard core.
Safehinge has achieved DD171 "Severe Duty" rating with the configuration shown.

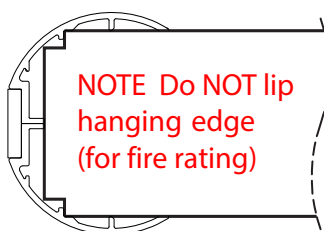
IMPORTANT - Flat section lipping tolerance permitted 6-10mm thick
For flat lippings it is permitted to apply maximum 8mm radius to the corners of the lipping at vertical edges to create a maximum 2mm edge profiling

Door top and bottom



Shared detail: All 54mm ALU60 doors

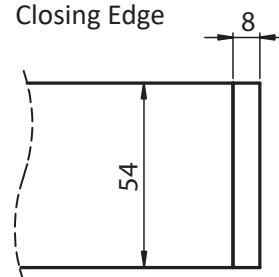
Hanging Edge



NOTE Do NOT lip hanging edge (for fire rating)

IMPORTANT
DO NOT lip the hanging edge for FD30 or FD60 rating.
This detail applies to all 54mm cores

Closing Edge



NOTE: If you are using this product within a mental health environment, we strongly recommend the use of 54mm Halspan IT60/XT60 or Moralt Firesmoke door cores.

Lipping Details

Hardwood minimum density 640 kg/m³

Flat 6mm thick PVC lippings are permitted on Blankfort cores only, with a maximum of 2mm profiling at the corners.

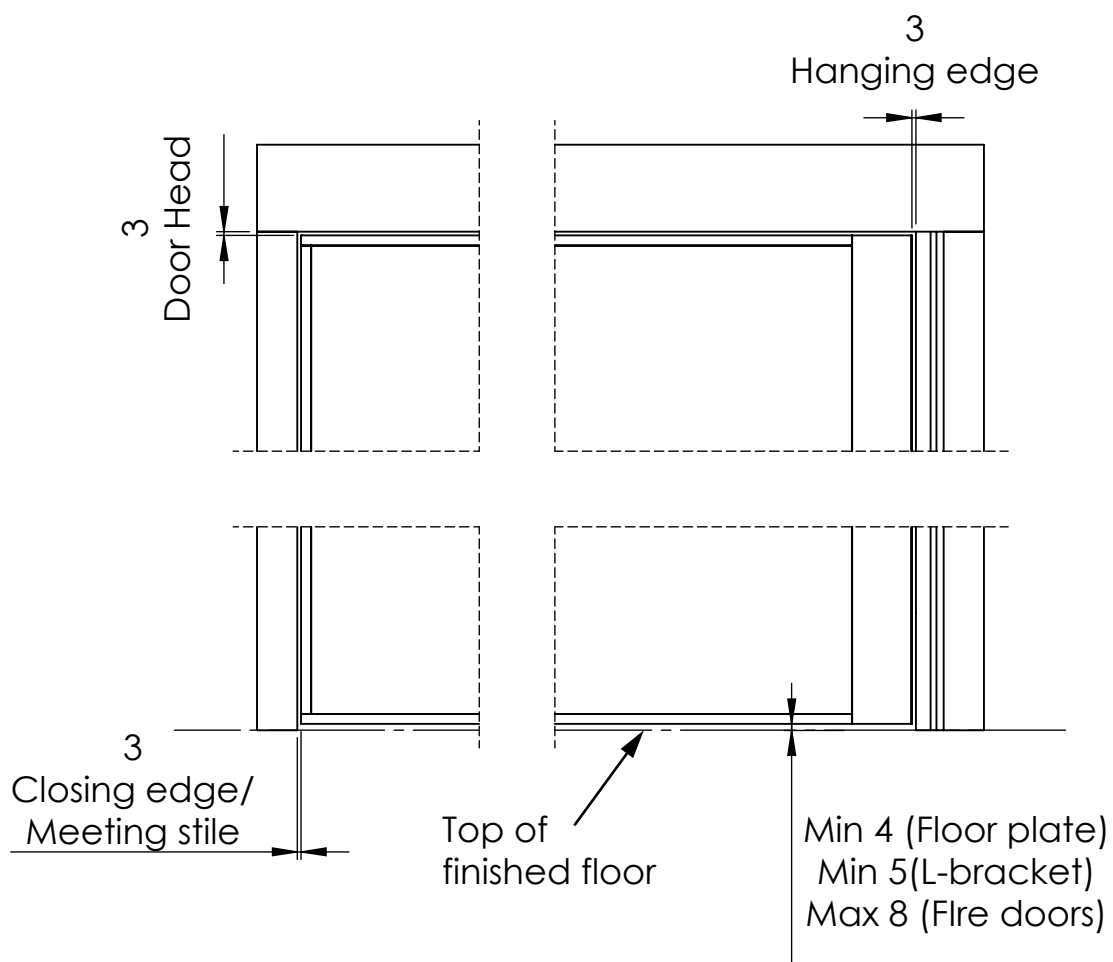
Gluelines: RF, UF, PU or PUR

Door to frame and floor gaps

Door to frame edge gaps permitted are 2mm minimum and 4mm maximum.

Double Leaves must not be proud of each other or from the door frame by more than 1mm.

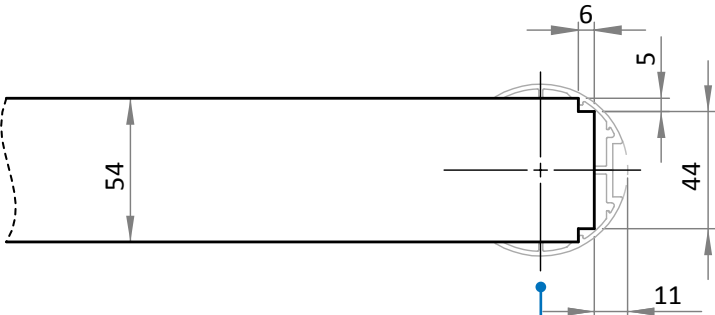
For fire resistance, the maximum gap between the bottom of the door and top of the floor covering is 8mm



Door Leaf Rebate & Mortice Details

IMPORTANT: Care should be taken to position rebates/mortices correctly as these influence the correct function of the whole doorset.

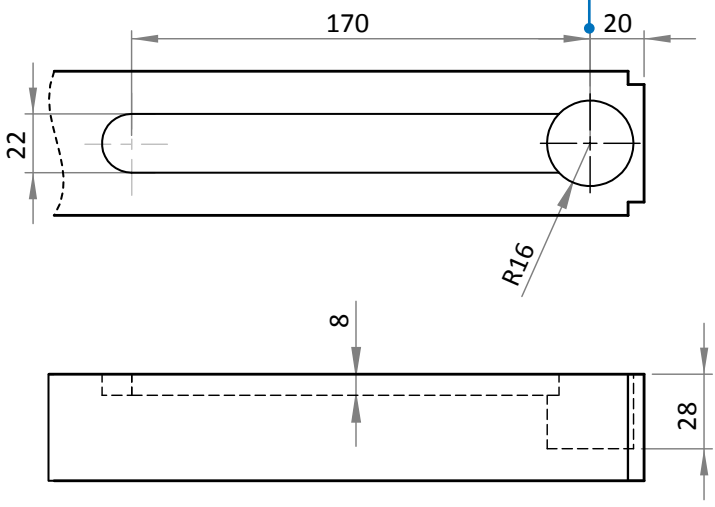
1. Aluminium Edge Profile Rebate



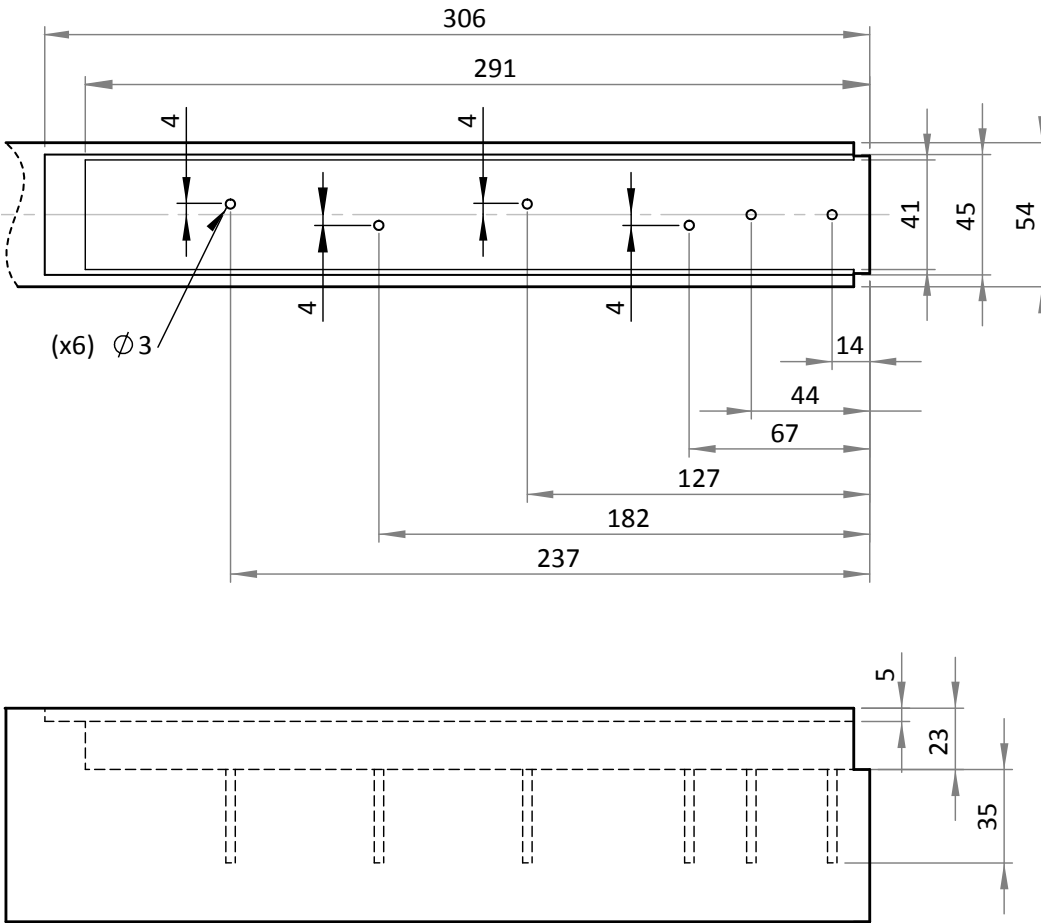
Apply to hanging edge only of door leaf.
 NOTE: hanging edge un-lipped for FD30/FD60 rating.

IMPORTANT: aluminium edge profile and pivot strap must have same centre point and be concentric.

2. Bottom Pivot Strap Mortice

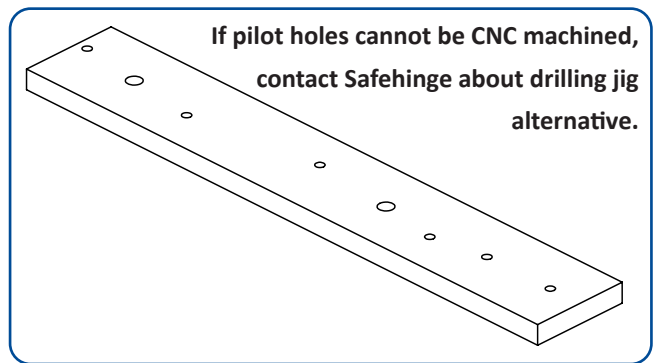


3. Top Strap Mortise (critical position)

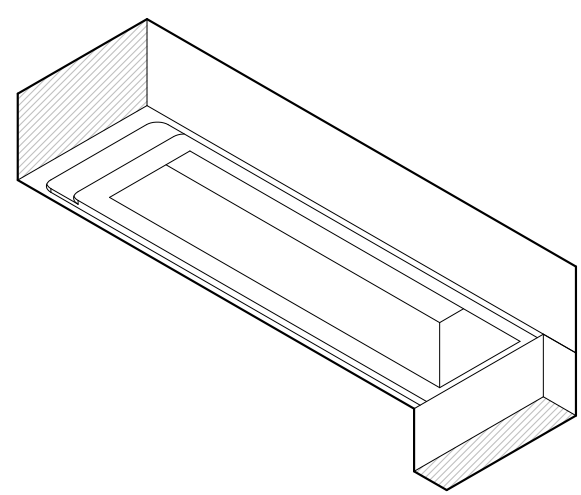
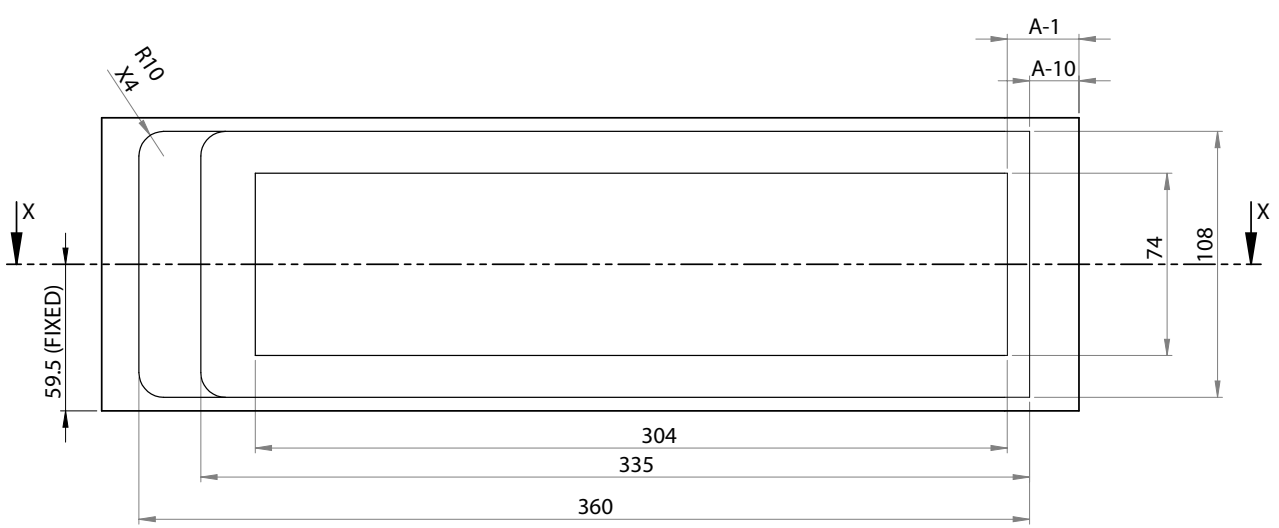
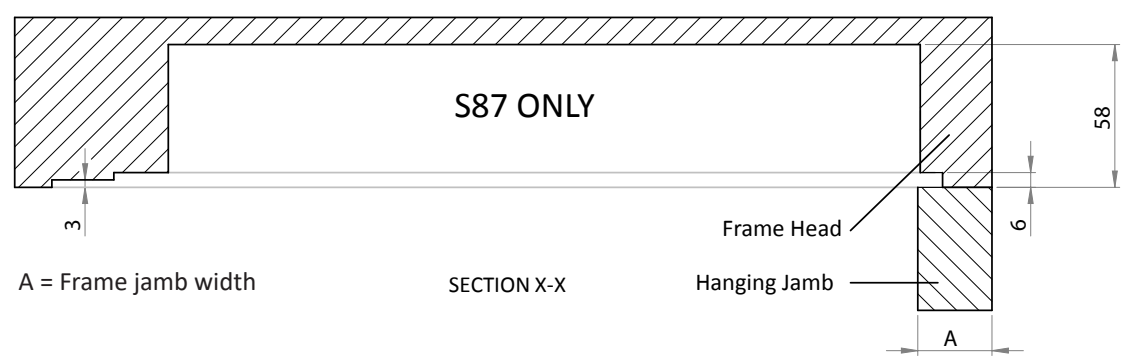
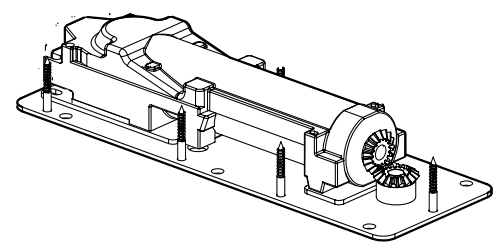


CRITICAL: pilot hole positions must be within a tolerance of +/- 1 mm from the hanging edge and +/-0.5 mm relative to centre line.

Pilot holes Ø 3mm, sized for No.10 x 1.5" self-tapping screws



4a. Frame Head Mortise: Sureclose S87



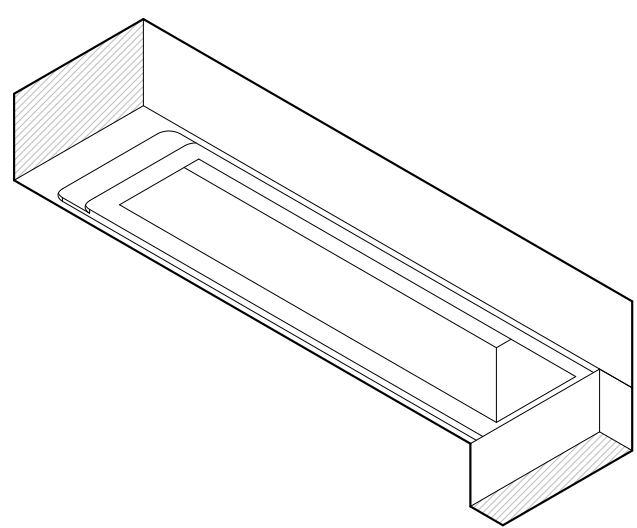
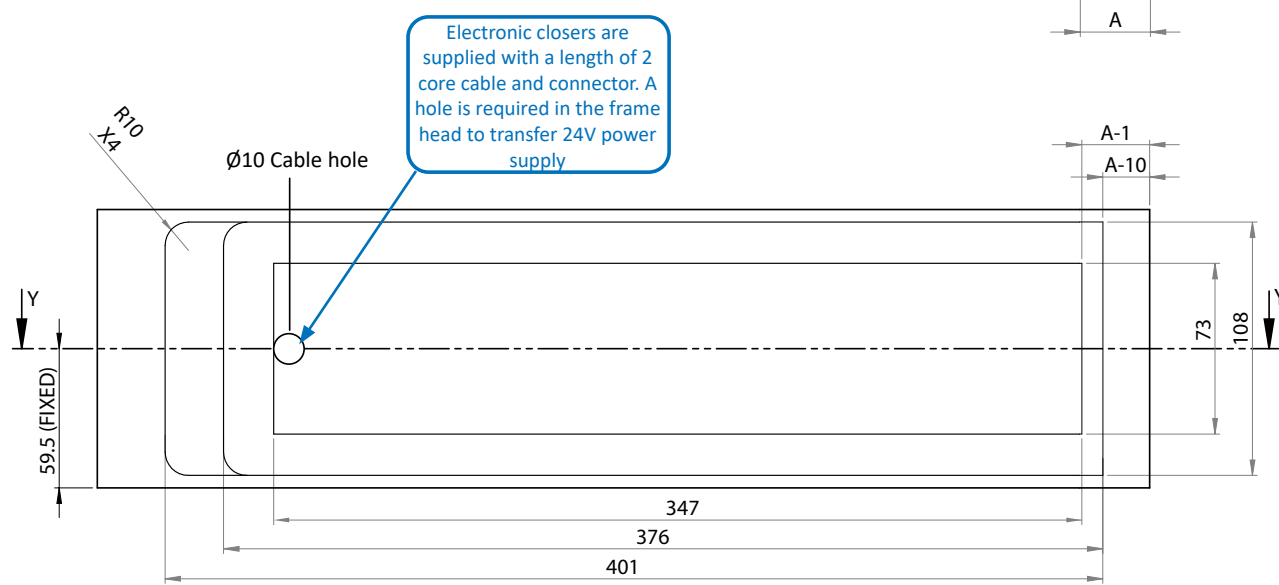
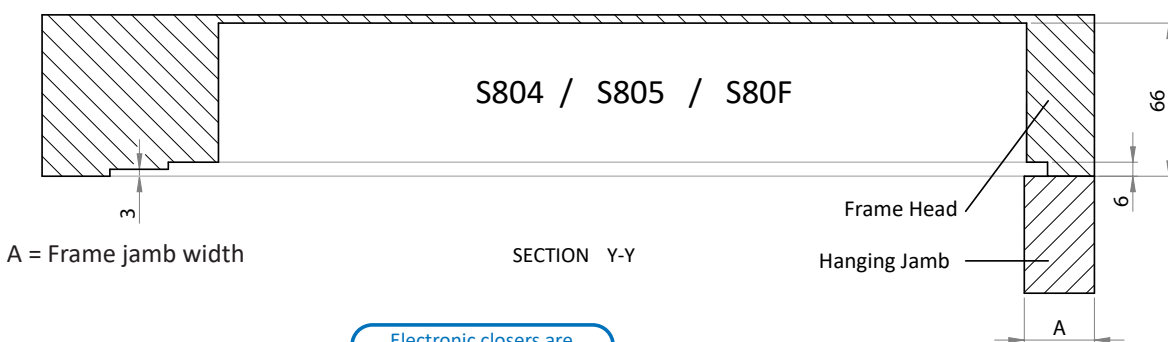
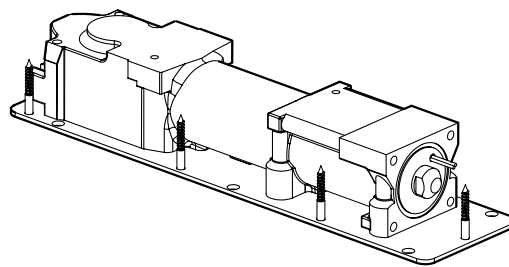
IMPORTANT: Care should be taken to position rebates/mortises accurately as these influence the function of the whole doorset.

4b. Frame Head Mortise: E-mag & Free swing

Sureclose S804 (E-mag hold open EN4)

Sureclose S805 (E-mag hold open EN5)

Sureclose S80F (Free swing closer)



IMPORTANT: Care should be taken to position rebates/mortises accurately as these influence the function of the whole doorset.

4c. Frame Head Mortise: Top centre pivot

In certain applications, a closer may not be required for the secondary leaf eg. Unequal pair with the secondary leaf normally locked on flush bolts.

An Alumax top centre pivot can be used. Refer to TD018 ALumax Technical and Manufacturing guidelines for further information.

The kit required for the Secondary leaf would be one of the following: -

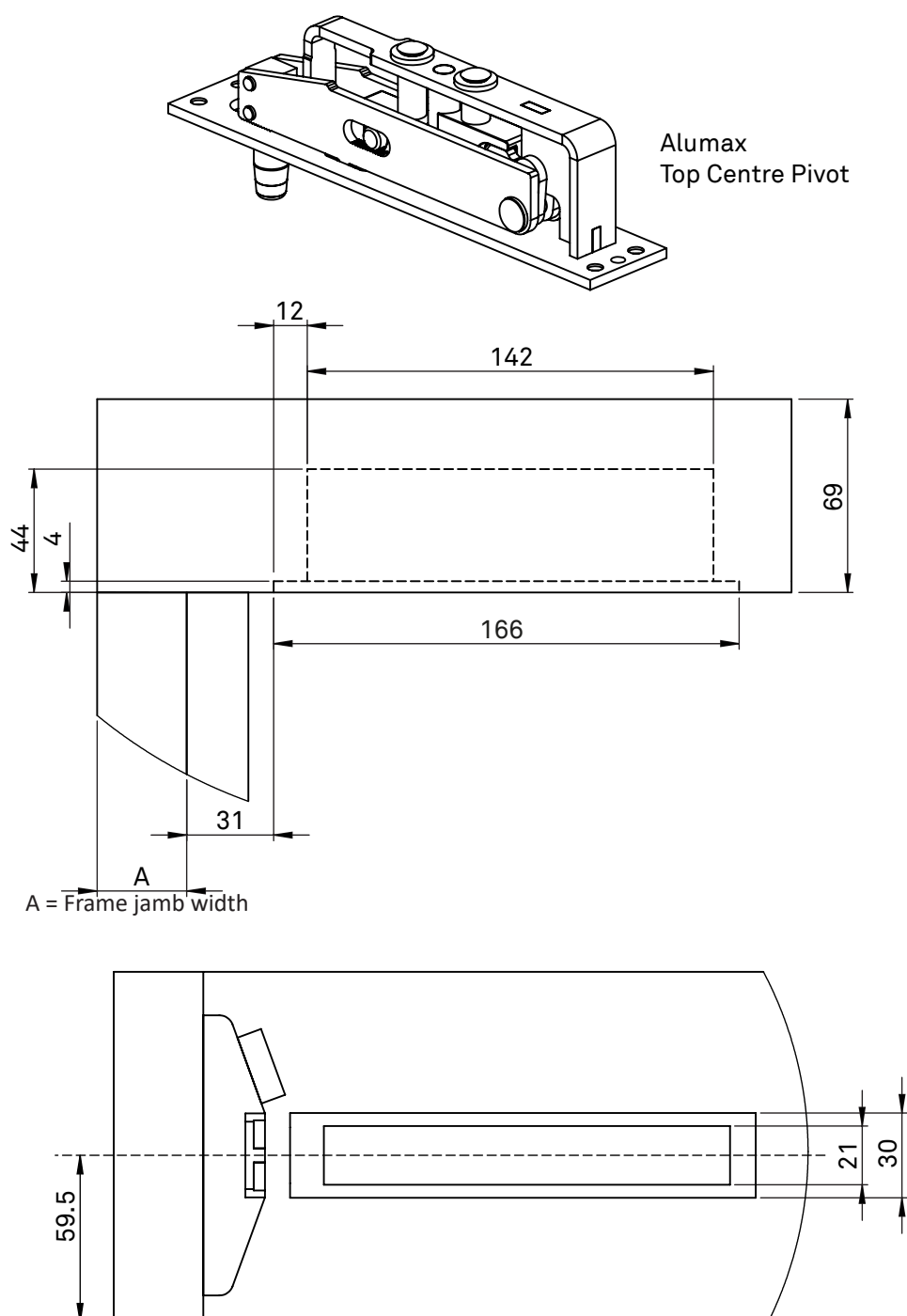
ALU60-100 ALU60 (54MM) 2.1M PROFILE WITH FLOOR PLATE

ALU60-150 ALU60 (54MM) 2.1M PROFILE WITH L-BRACKET

OR for mental health applications

SYM60-100 SH60 (54MM) 2.1M PROFILE WITH FLOOR PLATE

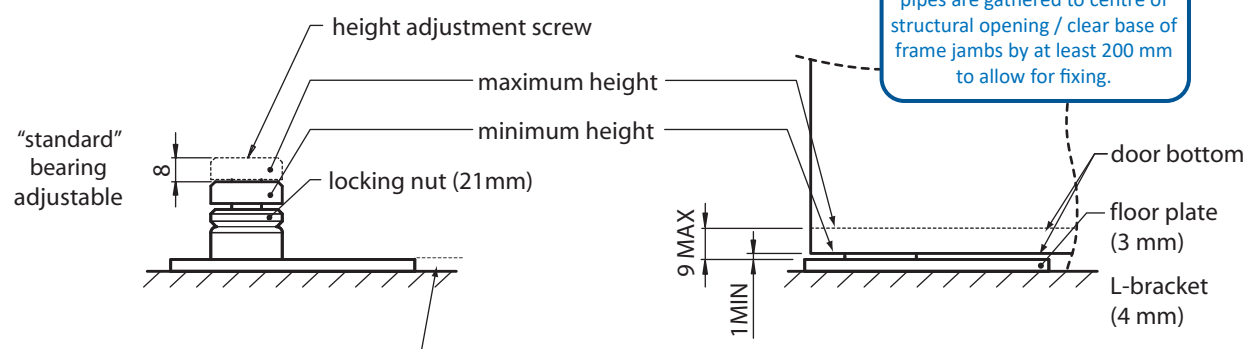
SYM60-150 SH60 (54MM) 2.1M PROFILE WITH L-BRACKET



Undercuts & Floor Pivot Adjustment

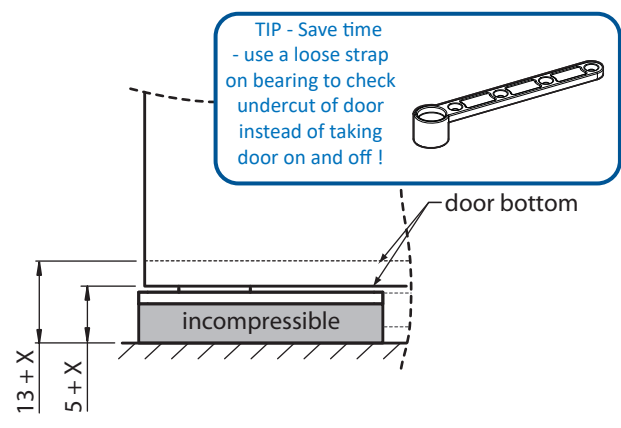
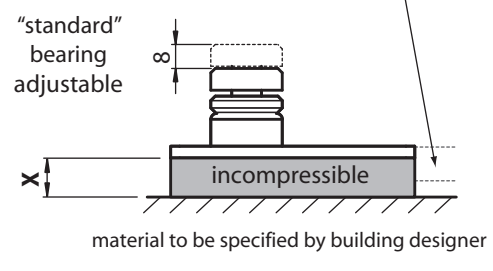
The flooring configurations shown in the following section should be regarded as illustrative only. The exact design and configuration of flooring is not the responsibility of Safehinge Ltd.

Standard Undercut



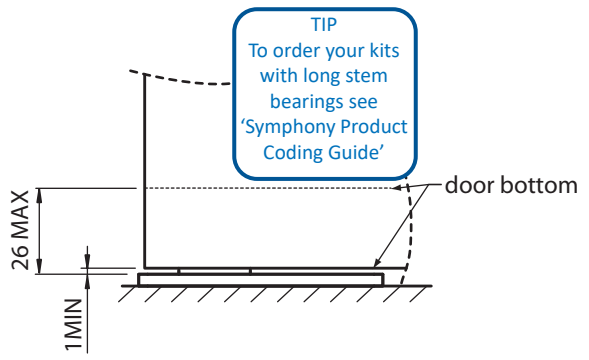
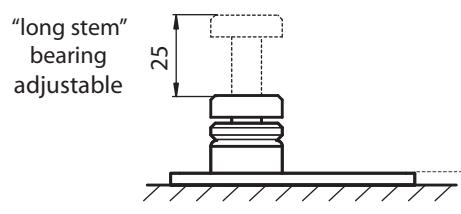
The “standard” bearing is supplied with all regular Safehinge kits.

Large Undercut Option A



The “standard” bearing is supplied with all regular Safehinge kits.

Large Undercut Option B



Opening Angle Limits

All pivot doors have a maximum opening angle beyond which they will “bind” on the door frame. Binding exerts extreme forces on the door, frame and ironmongery and may lead to damage/failure. Sureclose with back check will typically result in a more controlled door however it is strongly recommended that measures are taken to prevent binding from occurring. A typical emergency release bedroom door is shown below.

Where the option exists to use a floor / wall stop, Safehinge would always recommend this design detail. Where these are not an option, the specifier must ensure they are satisfied with the chosen alternative. Eg. Bulkhead or fixed furniture.

