

EN-SUITE DOOR PRODUCT OPTIONS

EN-SUITE LEAF DESIGN OPTIONS

SAFEHINGE PRIMERA X HOSPITAL ROOMS

SAFEHINGE[®]
PRIMERA
DEMAND MORE FROM DOORS

X

HOSPITAL
ROOMS



Geometric Rainbow

Medium - ENL51-819

Wide - ENL52-818

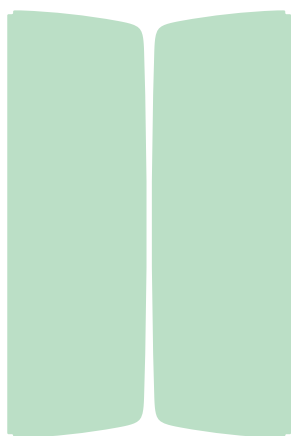


Flags and Flares

Medium - ENL51-822

Wide - ENL52-821

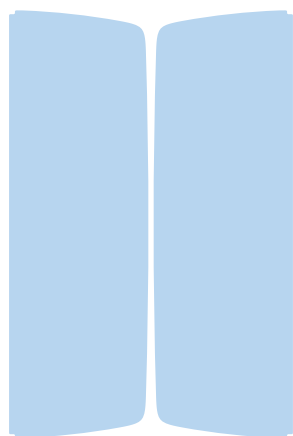
COLOURS



Green

Medium - ENL51-816

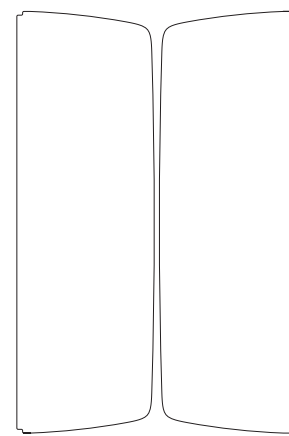
Wide - ENL52-815



Blue

Medium - ENL51-804

Wide - ENL52-803



White

Medium - ENL51-801

Wide - ENL52-800

SCENES



Beach Scene

Medium - ENL51-810

Wide - ENL52-809



Mountain Scene

Medium - ENL51-813

Wide - ENL52-812



Meadow Scene

Medium - ENL51-807

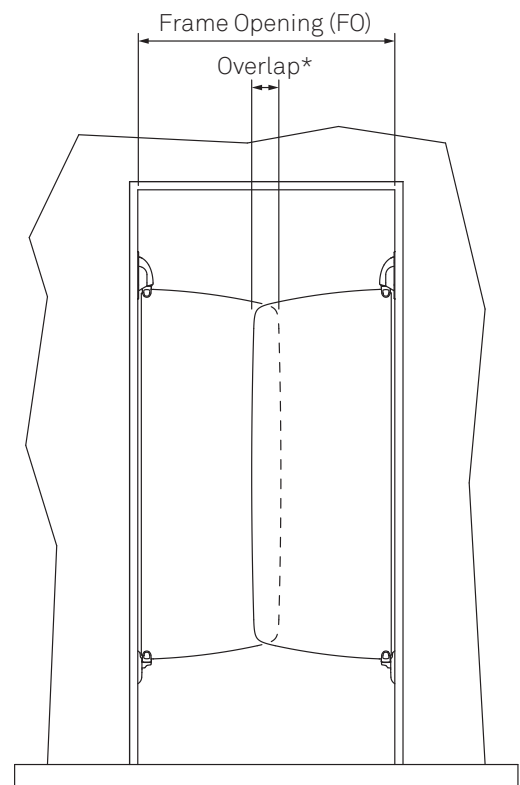
Wide - ENL52-806

SELECT LEAF SIZE

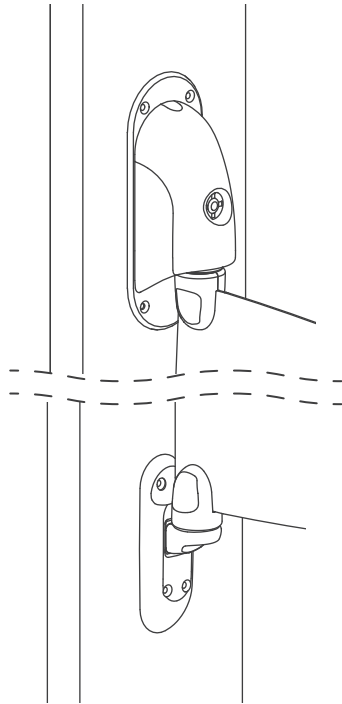
Leaf Size	Min FO	Max FO
Medium	741mm	870mm
Wide	871mm	1000mm

* The leaf overlap will range from 20mm at 'Max FO' to 150mm at 'Min FO'.

We do not recommend an overlap outside of this range.



EN-SUITE PIVOT SET OPTIONS



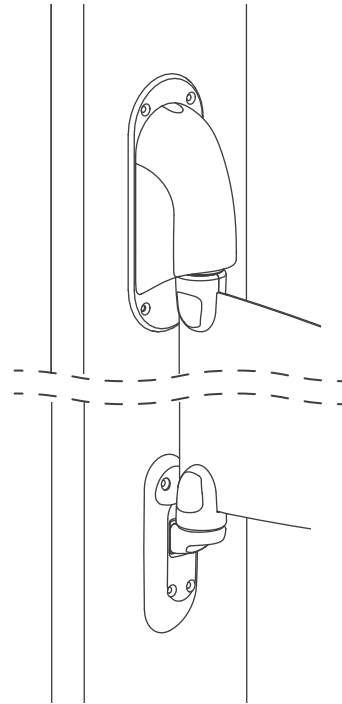
Staff Only Reset (SOR) Pivot Set

ENP10-200

Contents: 2x SOR Pivots, 2x Wall Mounts. All fixings included.

Note: Does not include Lifeline keys. At least 1 No Lifeline key must be supplied with pivots.

Lifeline key Order No.: SHC80-005



Unrestricted (UR) Pivot Set

ENP15-200

Contents: 2x UR Pivots, 2x Wall Mounts. All fixings included.